

[54] FOOD STORAGE CONTAINER OR THE LIKE

[75] Inventors: Robert H. C. M. Daenen, Hekelgem, Belgium; Rino Conti, Stoughton, Mass.

[73] Assignee: Dart Industries Inc., Northbrook, Ill.

[*] Notice: The portion of the term of this patent subsequent to Aug. 6, 1999 has been disclaimed.

[**] Term: 14 Years

[21] Appl. No.: 406,848

[22] Filed: Aug. 10, 1982

[52] U.S. Cl. D7/79; D7/76

[58] Field of Search D7/79, 81, 76, 78, 16, D7/18, 19; D9/418, 425, 431, 432

[56] References Cited

U.S. PATENT DOCUMENTS

- D. 52,562 10/1918 Dickmeyer D9/418
- D. 92,697 7/1934 Bicks D9/408
- D. 194,429 1/1963 Kuhn D9/425 X
- D. 207,175 3/1967 Brefka D7/79
- D. 213,310 2/1969 Coclie D9/425
- D. 238,137 12/1975 Swett D7/79
- D. 238,137 12/1975 Swett D7/79
- D. 238,148 12/1975 Dilot D7/76
- D. 250,987 2/1979 Stahel D7/76
- D. 257,107 9/1980 Daenen et al. D7/1
- 3,447,714 6/1969 Elliot D9/428 X
- 3,448,888 6/1969 Smith et al. D9/425 X

4,293,079 10/1981 Lytle 220/306

OTHER PUBLICATIONS

Tupperware Cat., p. 19, Items 52, 47, Bacon Keeper and Cold Cut Keeper.

Copco Catalog (1982) pp. 6 and 7, Food Savers.

Tupperware Catalog Dated Feb., 1982, pp. 4-A35, 5-A65, A70, A75 & A85, 20-K57 & K60, 13-G20 & G30, 14 and 15-Variou Rectangular Containers.

Primary Examiner—Winifred E. Herrmann

Attorney, Agent, or Firm—John A. Doninger

[57] CLAIM

The ornamental design for a food storage container or the like, substantially as shown and described.

DESCRIPTION

FIG. 1 is a top perspective view of a food storage container or the like showing our new design;

FIG. 2 is a right or left end elevational view thereof;

FIG. 3 is a top plan view of FIGS. 1 and 6;

FIG. 4 is a side elevational view of FIG. 1, the side opposite being identical thereto;

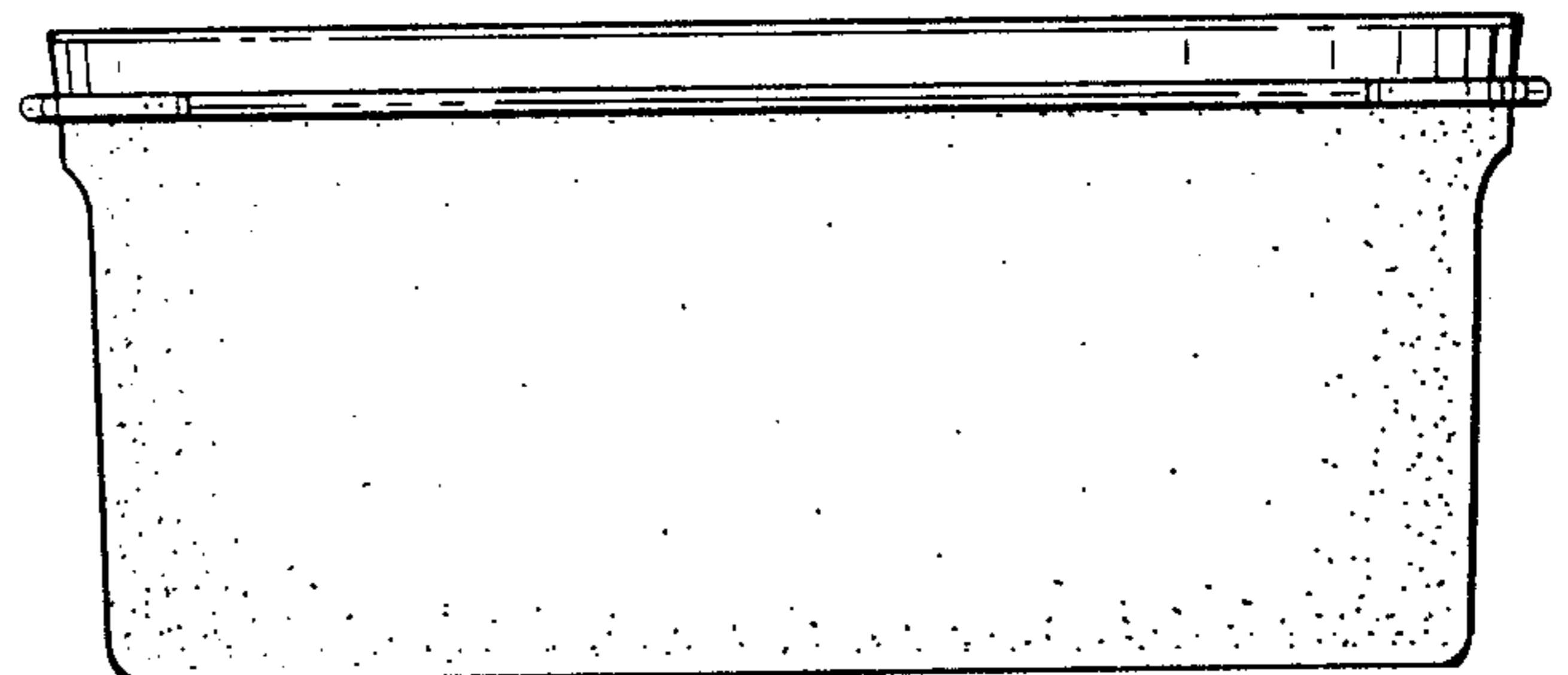
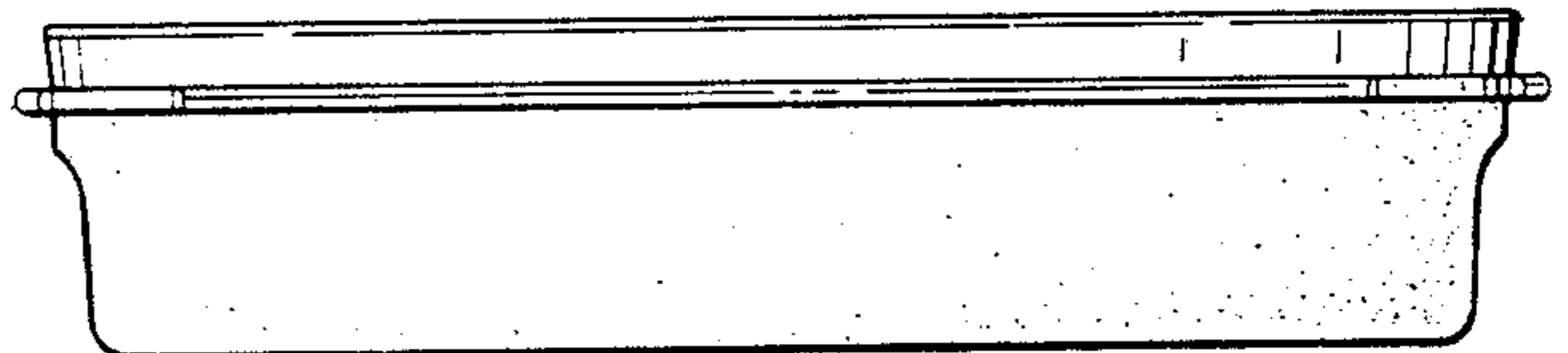
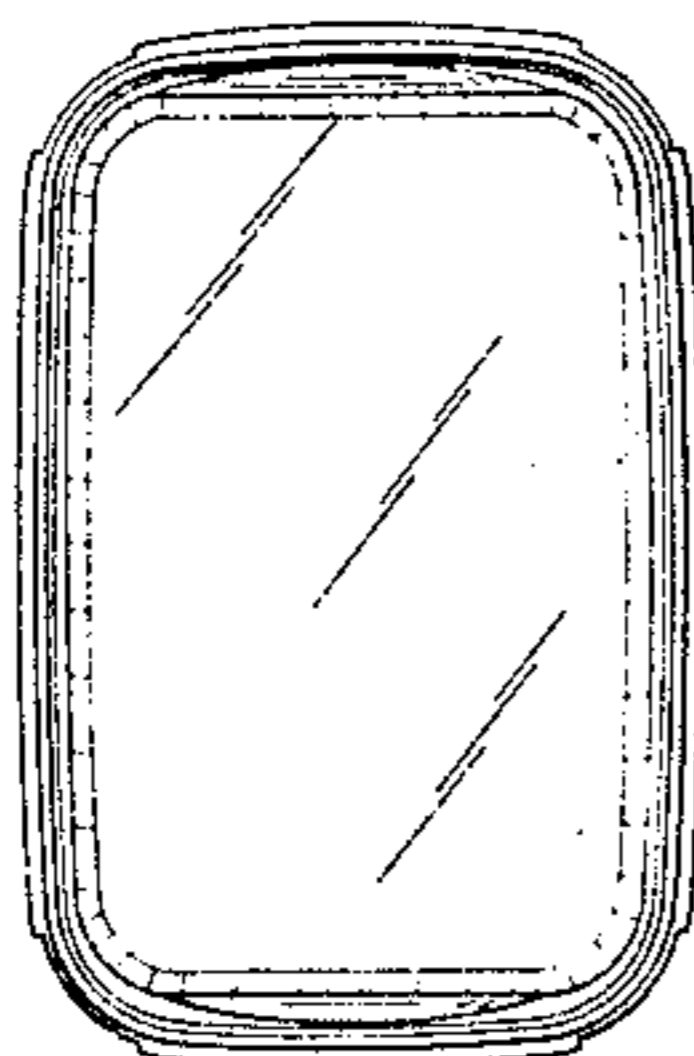
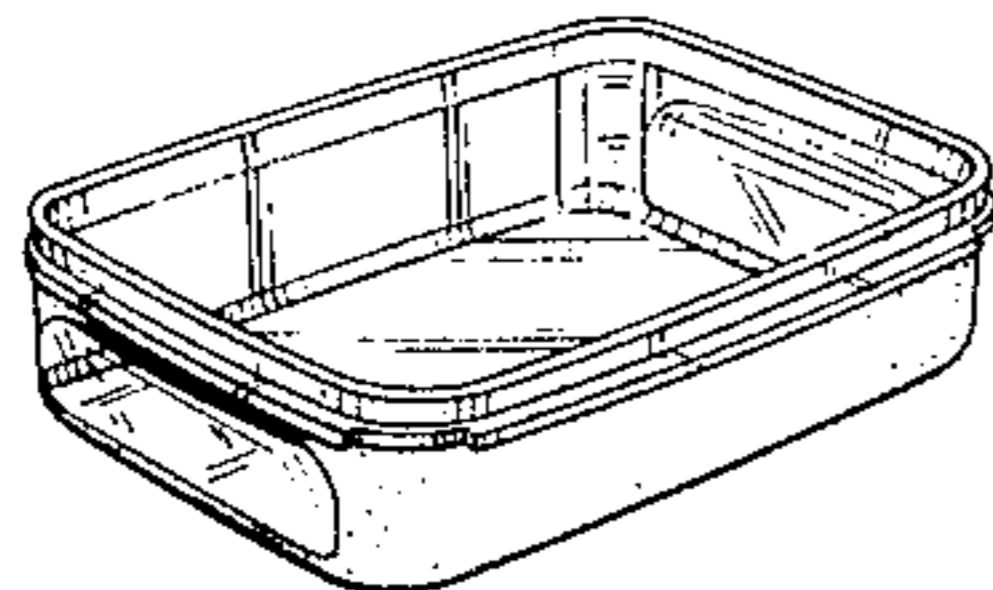
FIG. 5 is a bottom plan view of FIGS. 1 and 6;

FIG. 6 is a top perspective view of a modification of the food storage container of FIG. 1;

FIG. 7 is a right or left end elevational view of FIG. 6; and

FIG. 8 is a side elevational view of FIG. 6, the side opposite being identical thereto.

The stippled shading on the design represents a frosted (opaque or translucent) material.



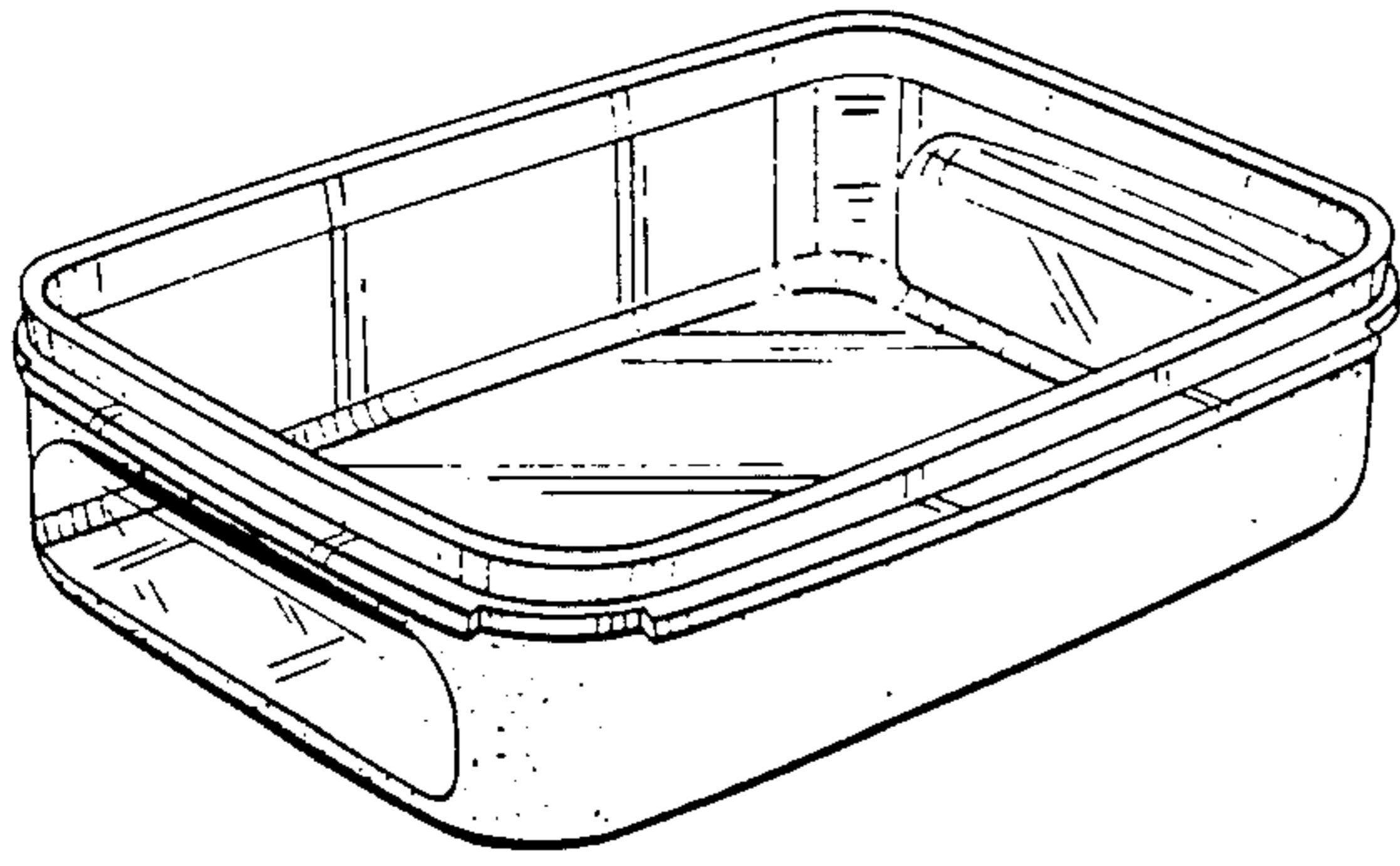


FIG. 1

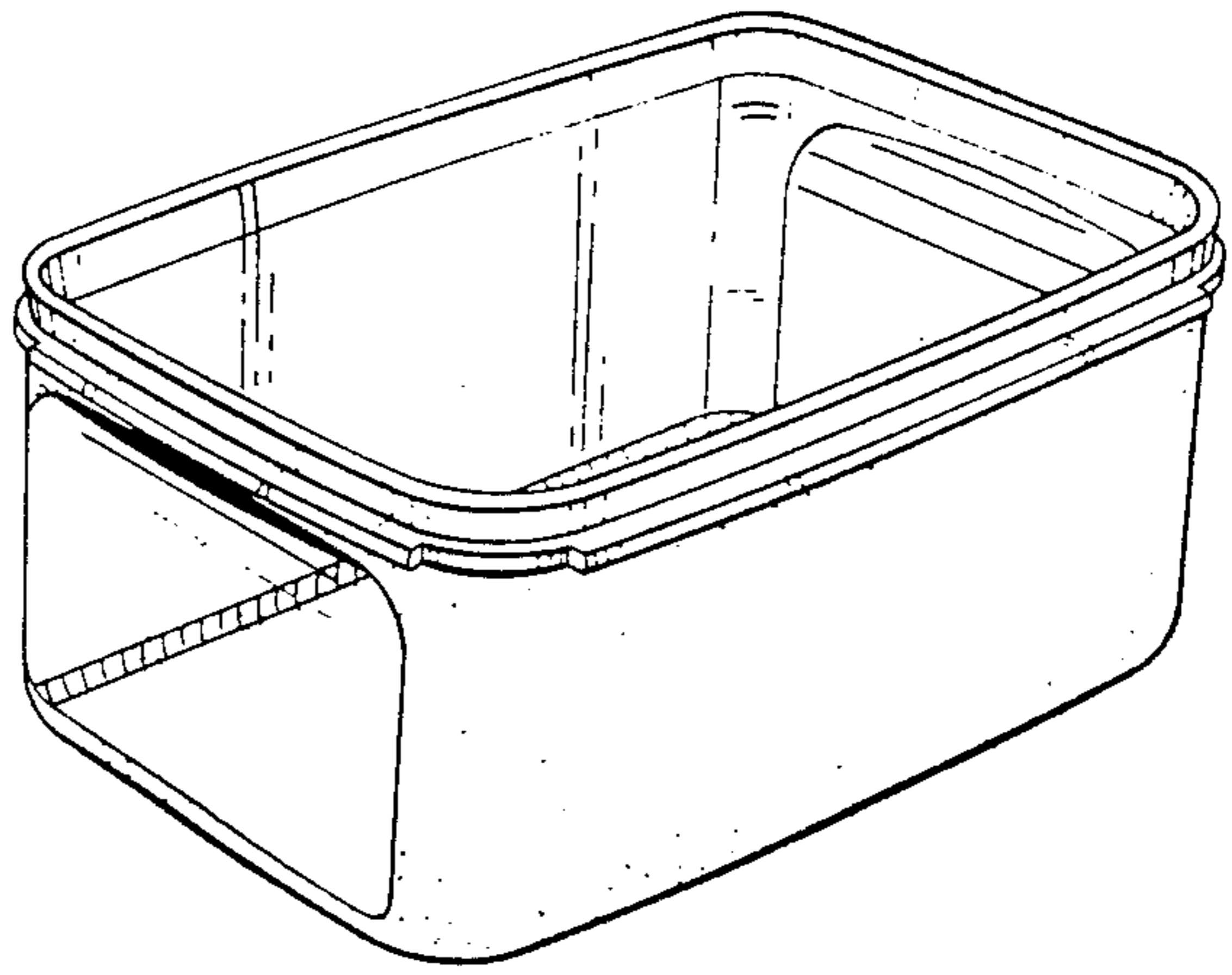


FIG. 6

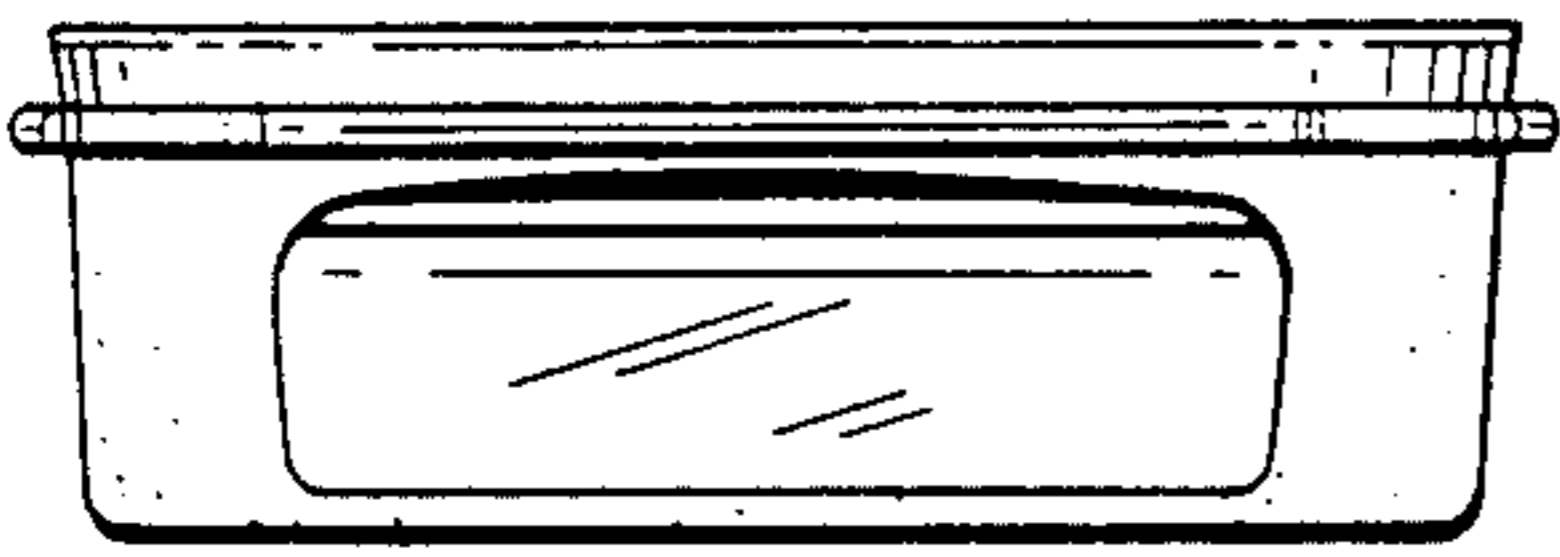


FIG. 2

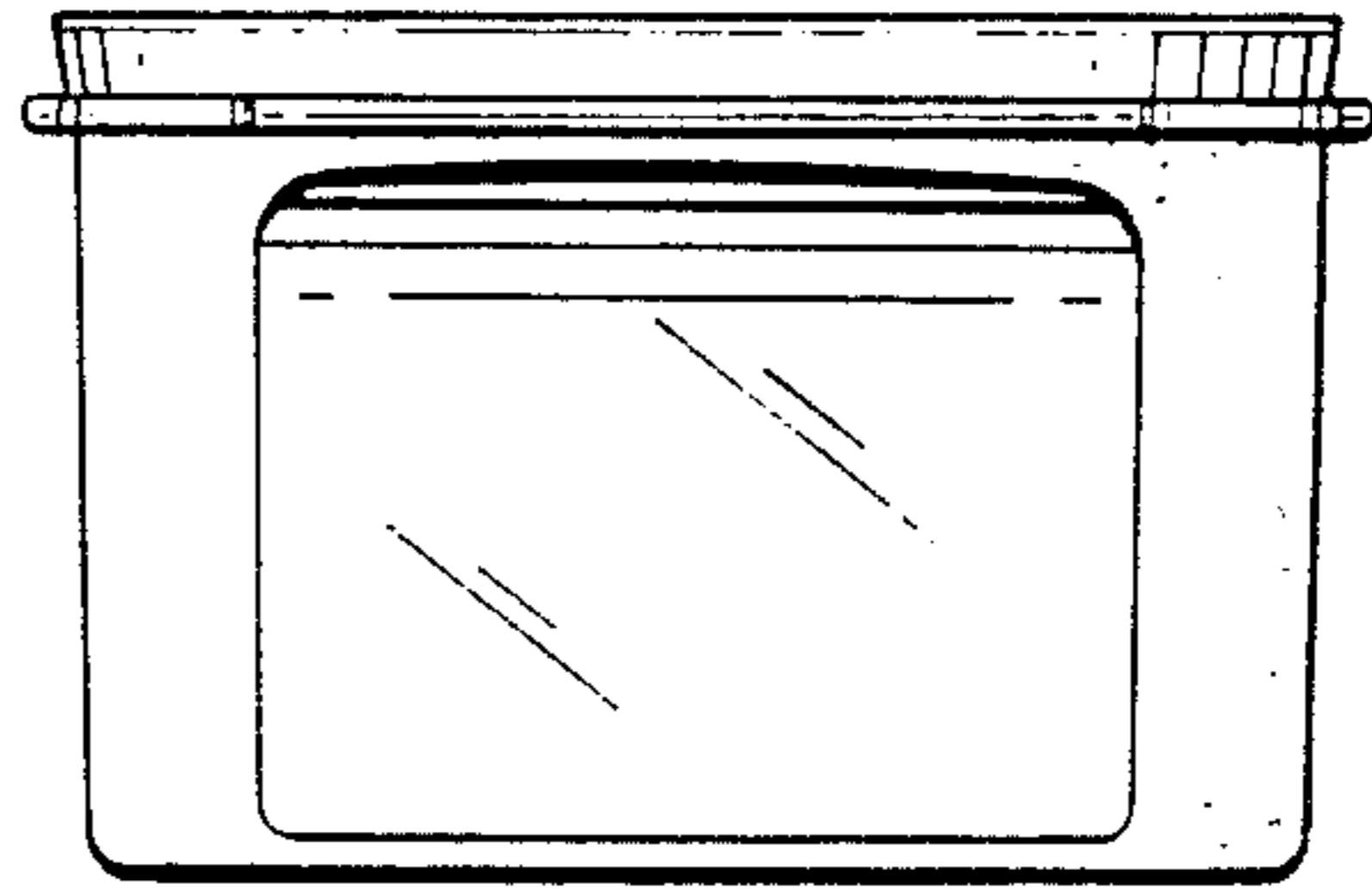


FIG. 7

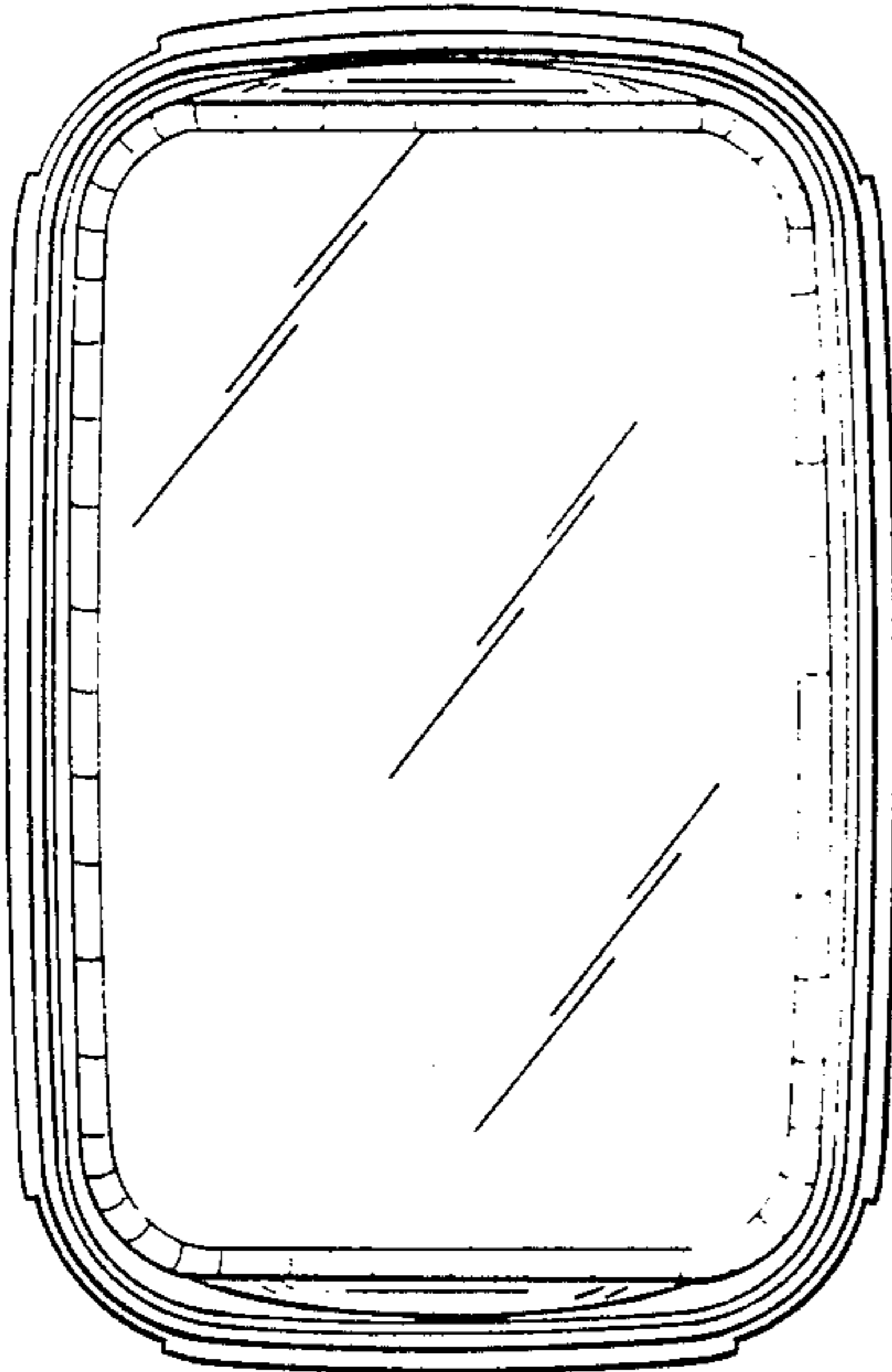


FIG. 3

FIG. 4

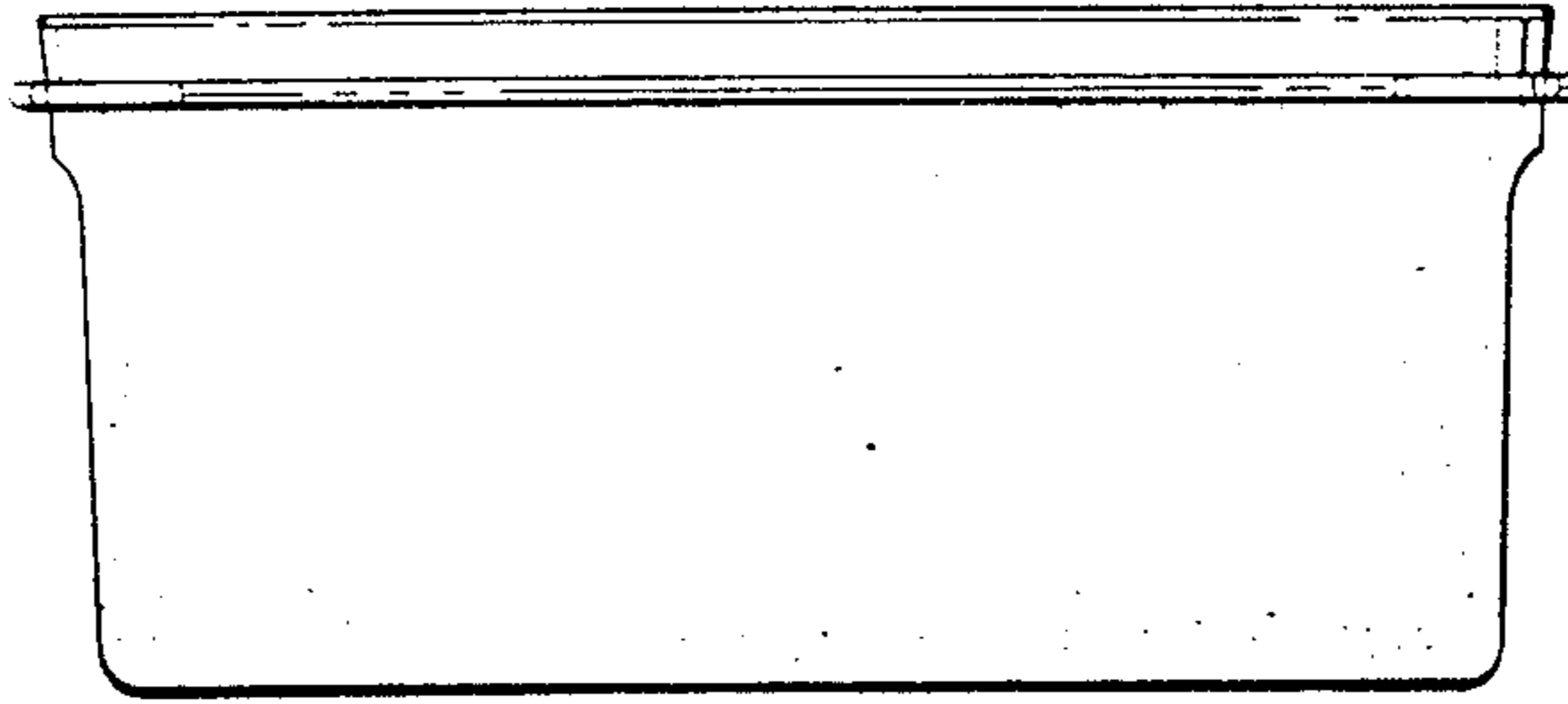
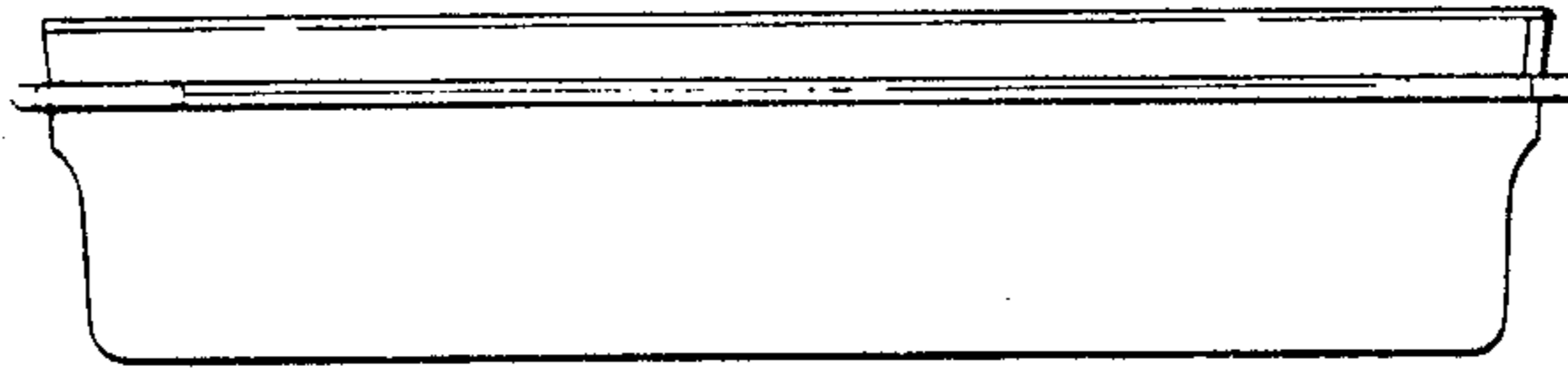


FIG. 8

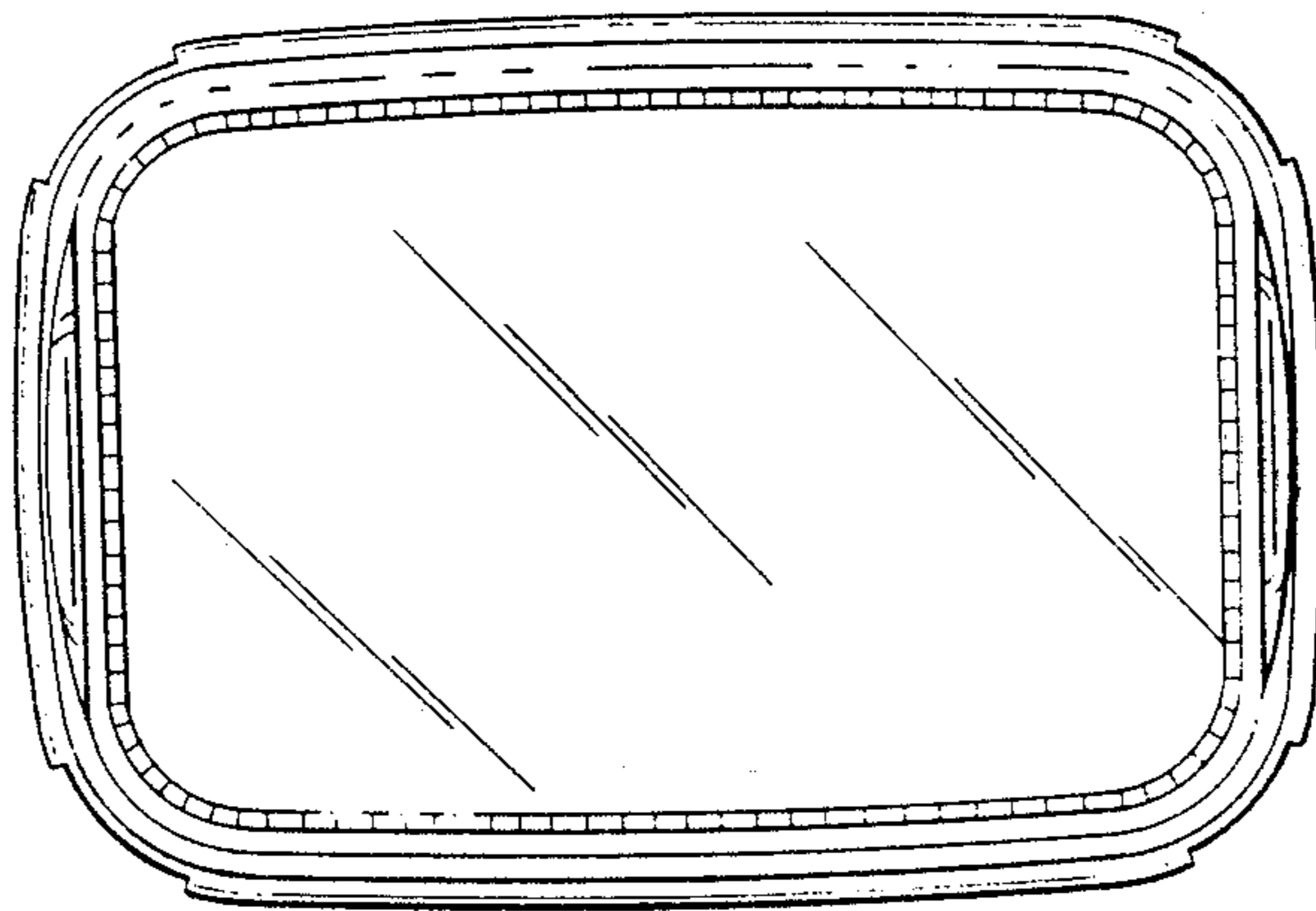


FIG. 5