

[54] **FOOD STORAGE CONTAINER OR THE LIKE**

4,293,079 10/1981 Lytle 220/306

[75] Inventors: **Robert H. C. M. Daenen**, Hekelgem, Belgium; **Rino Conti**, Stoughton, Mass.

[73] Assignee: **Dart Industries Inc.**, Northbrook, Ill.

[*] Notice: The portion of the term of this patent subsequent to Aug. 6, 1999 has been disclaimed.

[**] Term: **14 Years**

[21] Appl. No.: **406,847**

[22] Filed: **Aug. 10, 1982**

[52] U.S. Cl. **D7/79; D7/76**

[58] Field of Search **D7/79, 81, 76, 78, 16, D7/18, 19; D9/418, 425, 431, 432**

[56] **References Cited**

U.S. PATENT DOCUMENTS

D. 52,562	10/1918	Dickmeyer	D9/418
D. 92,697	7/1934	Bicks	D9/408
D. 124,756	1/1941	Wright	D9/414
D. 194,429	1/1963	Kuhn	D9/425 X
D. 207,175	3/1967	Brefka	D7/79
D. 213,310	2/1969	Collie	D9/425
D. 238,137	12/1975	Swett	D7/79
D. 238,148	12/1975	Dilot	D7/76
D. 250,987	2/1979	Stahel	D7/76
D. 257,107	9/1980	Daenen et al.	D7/1
3,447,714	6/1969	Elliot	D9/428 X
3,448,888	6/1969	Smith et al.	D9/425 X

OTHER PUBLICATIONS

Tupperware Cat., p. 19, Items 52, 47, Bacon Keeper and Cold Cut Keeper.

Tupperware Catalog dated Feb., 1982, pp. 4-A35, 5-A65, A70, A75 & A85, 20-K57 & K60, 13-G20 & G30, 14 and 15-Variou Rectangular containers.

Buchsteiner Brochure dated Jul., 1979, Products Art. Nr. 3320 and 3322.

Sarvis Brochure (date unknown).

Copco Catalog (1982) pp. 6 and 7, Food Savers.

Primary Examiner—Winifred E. Herrmann

Attorney, Agent, or Firm—John A. Doninger

[57] **CLAIM**

The ornamental design for a food storage container or the like, substantially as shown.

DESCRIPTION

FIG. 1 is a top perspective view of a food storage container or the like showing our new design;

FIG. 2 is a right or left end elevational view thereof;

FIG. 3 is a top plan view of FIGS. 1 and 6;

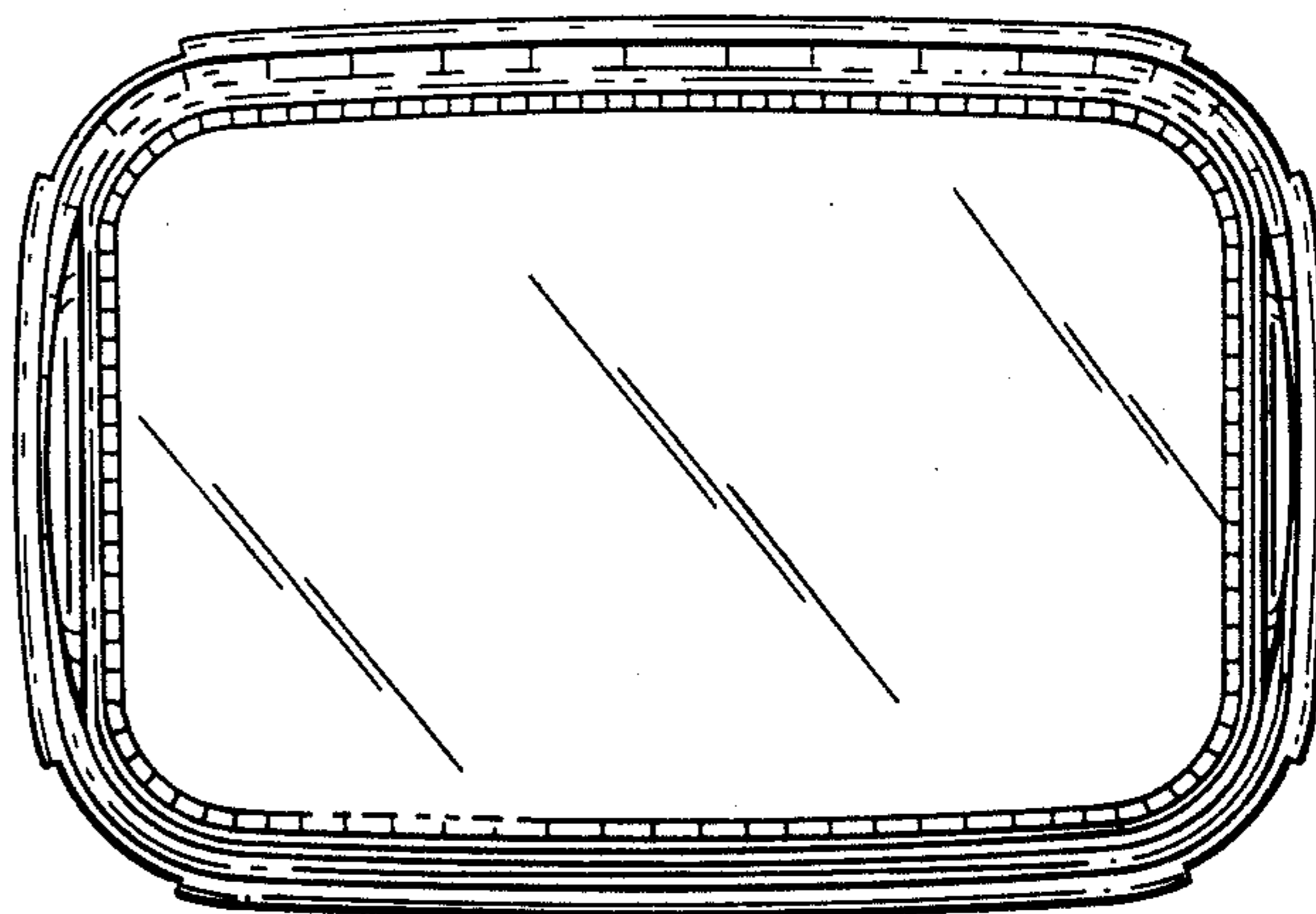
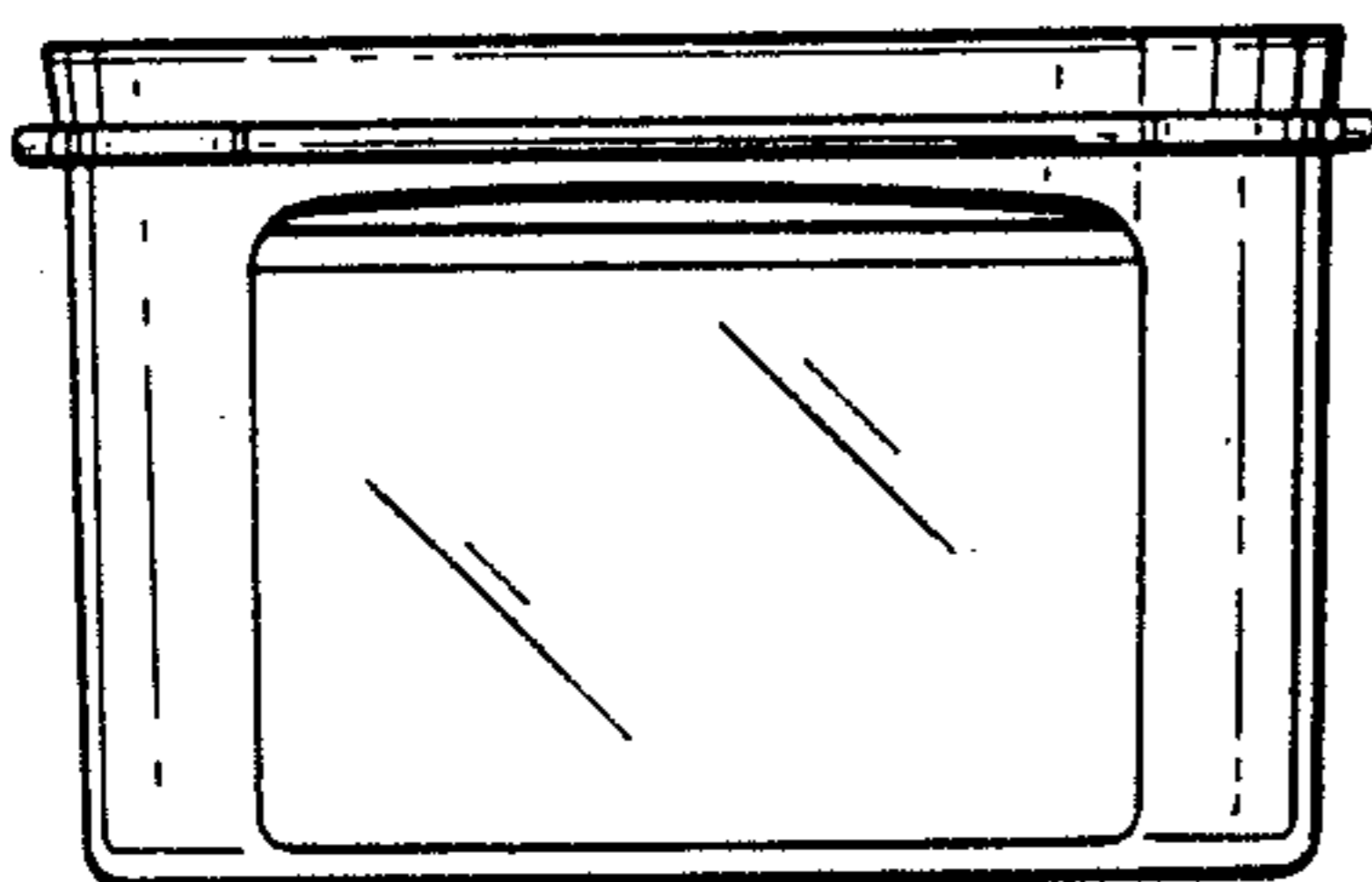
FIG. 4 is a side elevational view of FIG. 1, the side opposite being identical thereto;

FIG. 5 is a bottom plan view of FIGS. 1 and 6;

FIG. 6 is a top perspective view of a modification of the food storage container of FIG. 1;

FIG. 7 is a right or left end elevational view of FIG. 6; and

FIG. 8 is a side elevational view of FIG. 6, the side opposite being identical thereto.



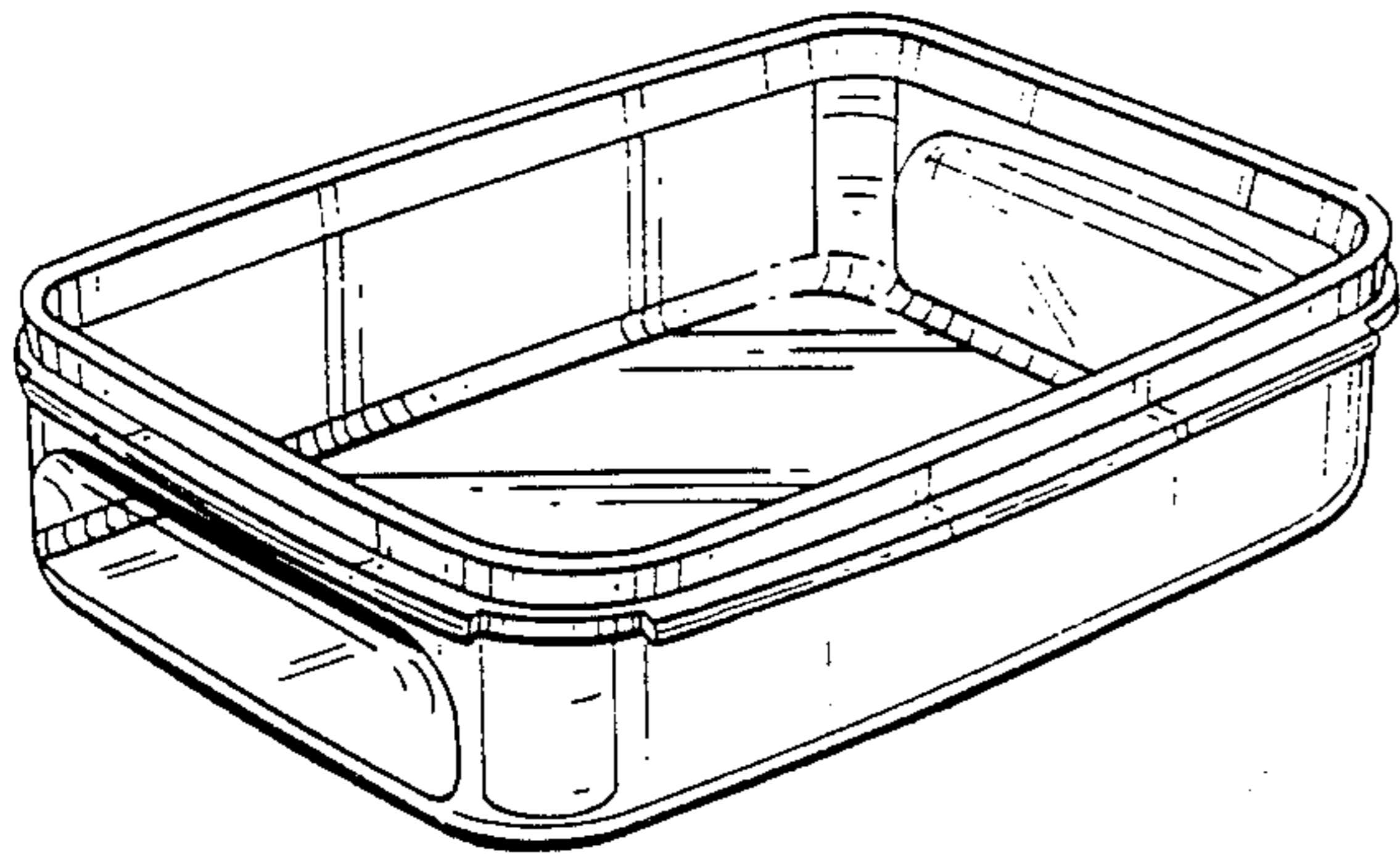


FIG. 1

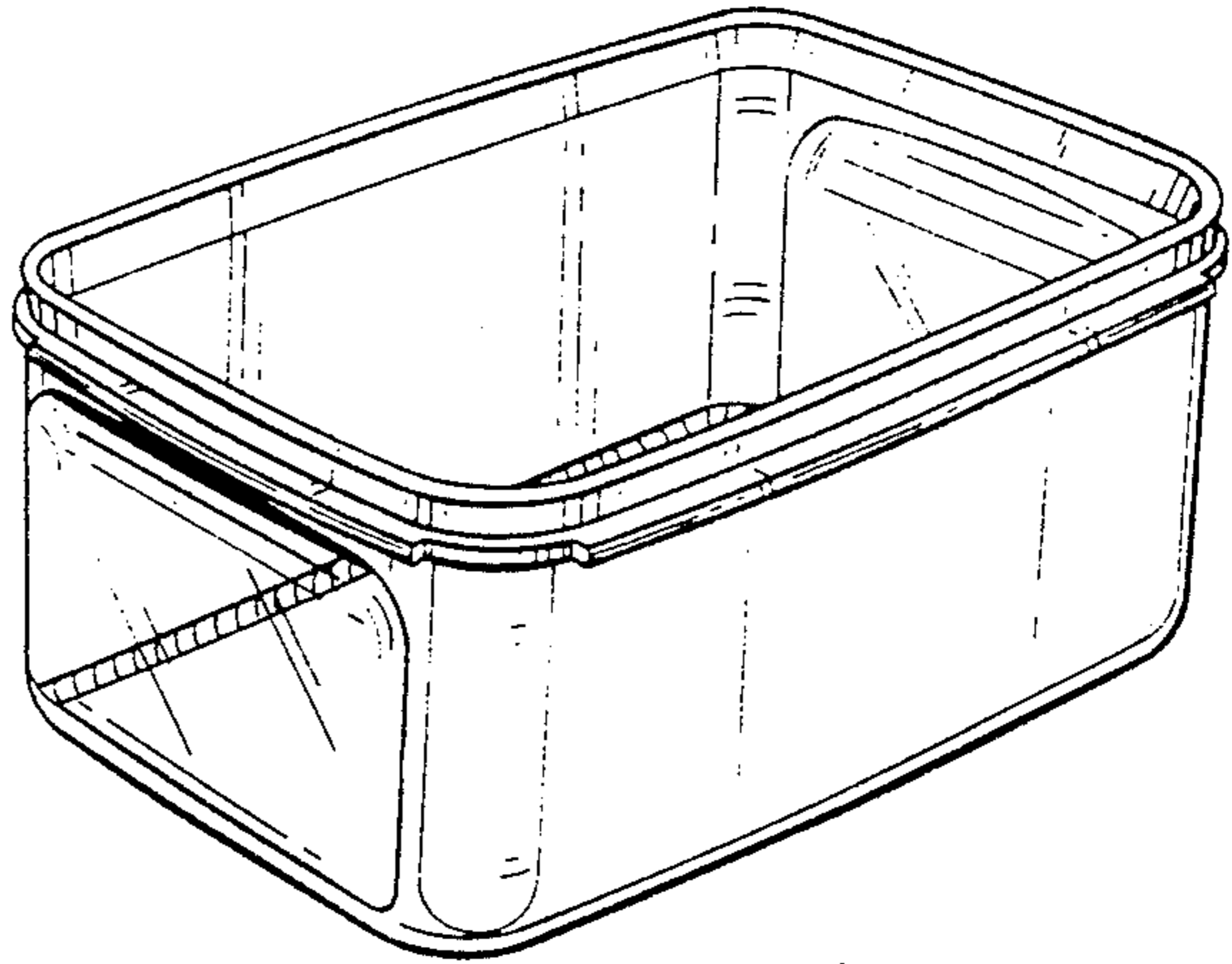


FIG. 6

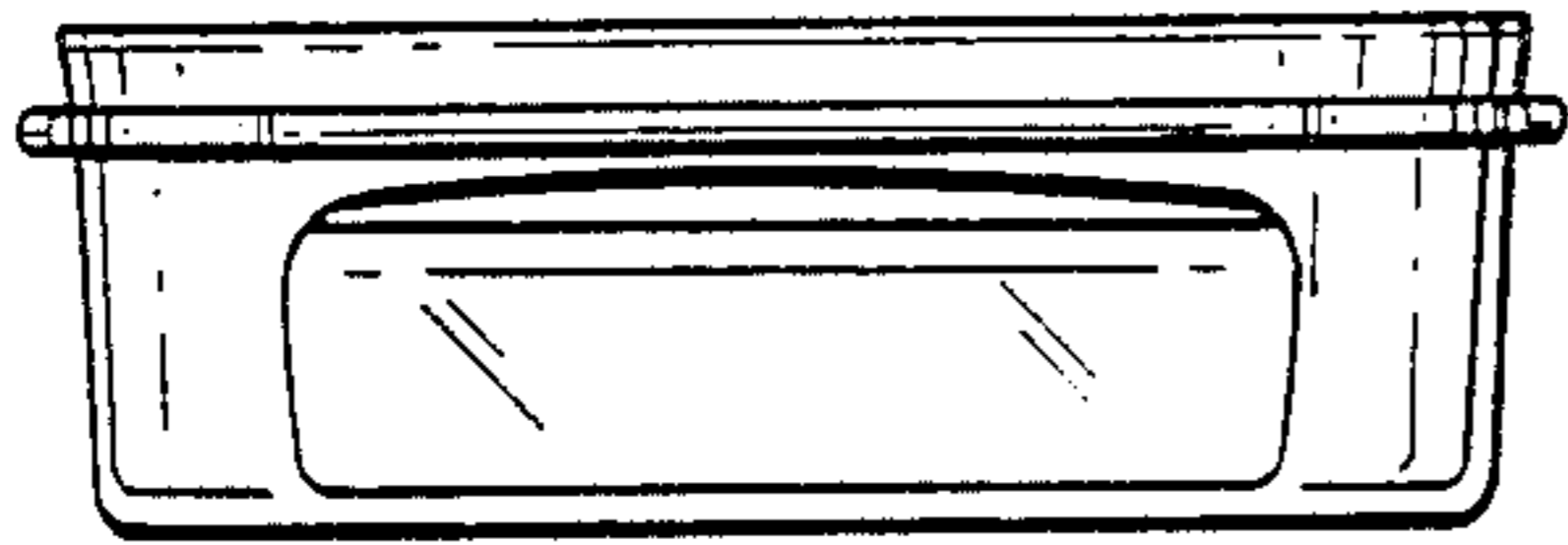


FIG. 2

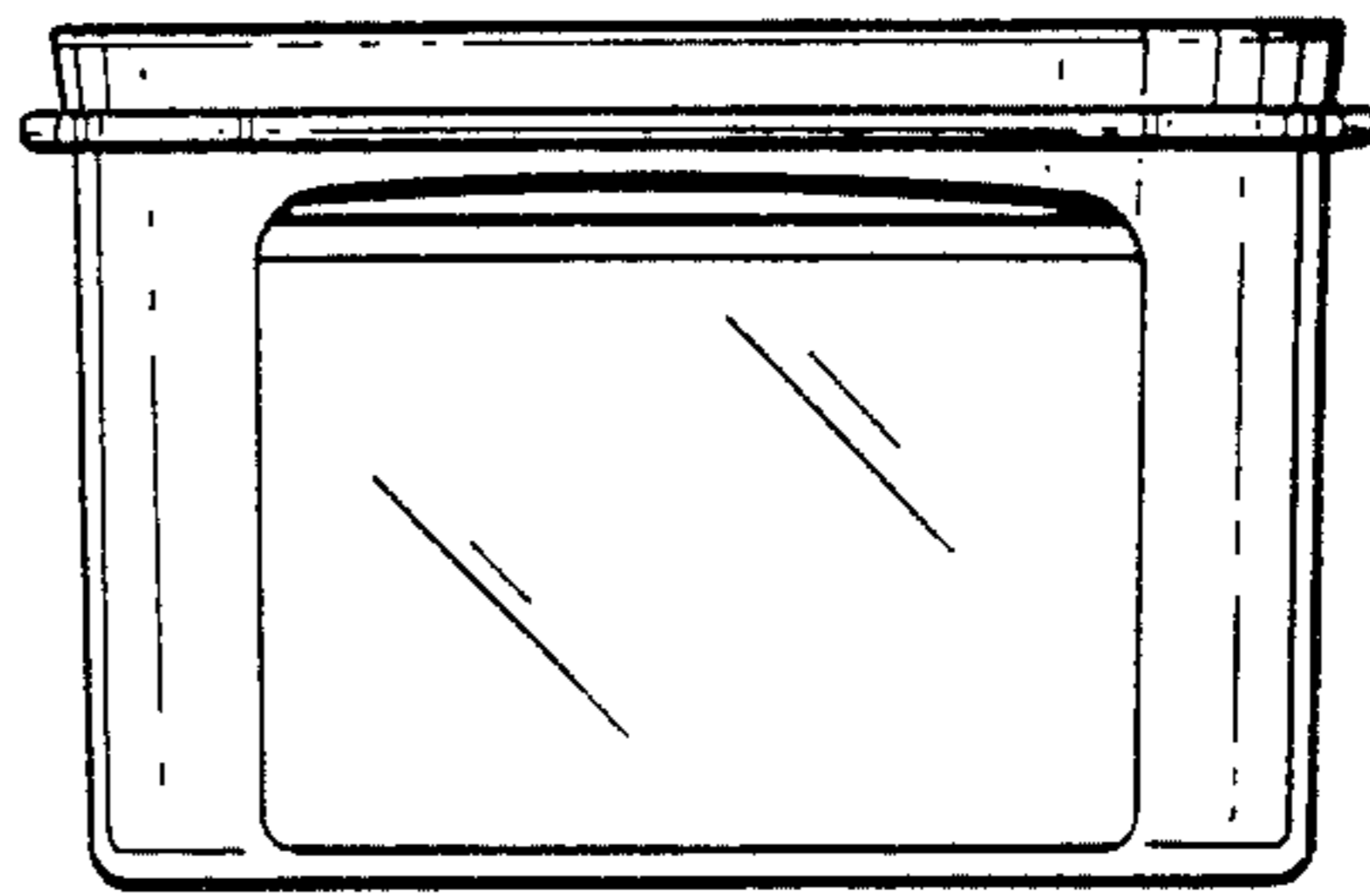


FIG. 7

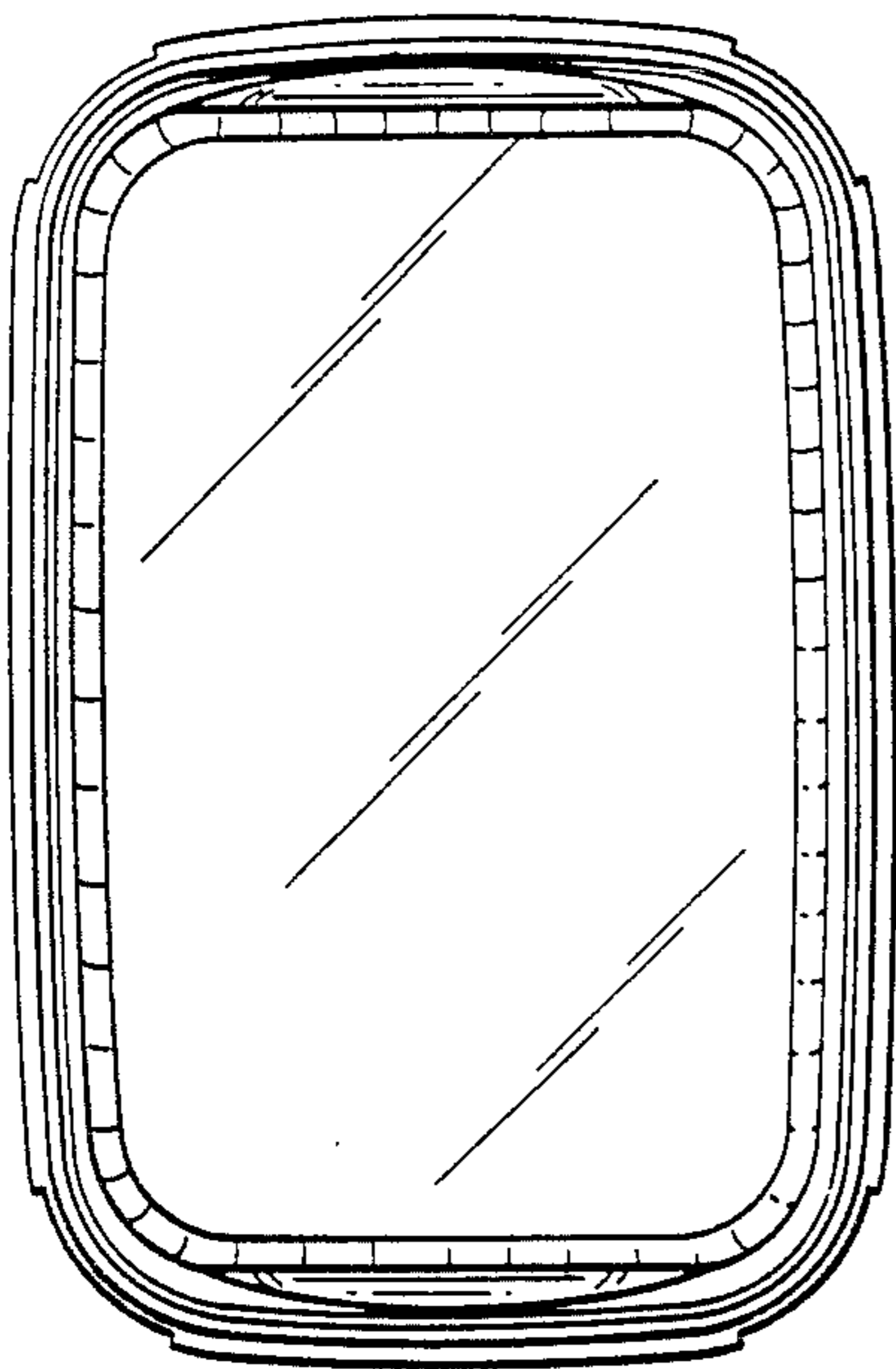


FIG. 3

FIG. 4

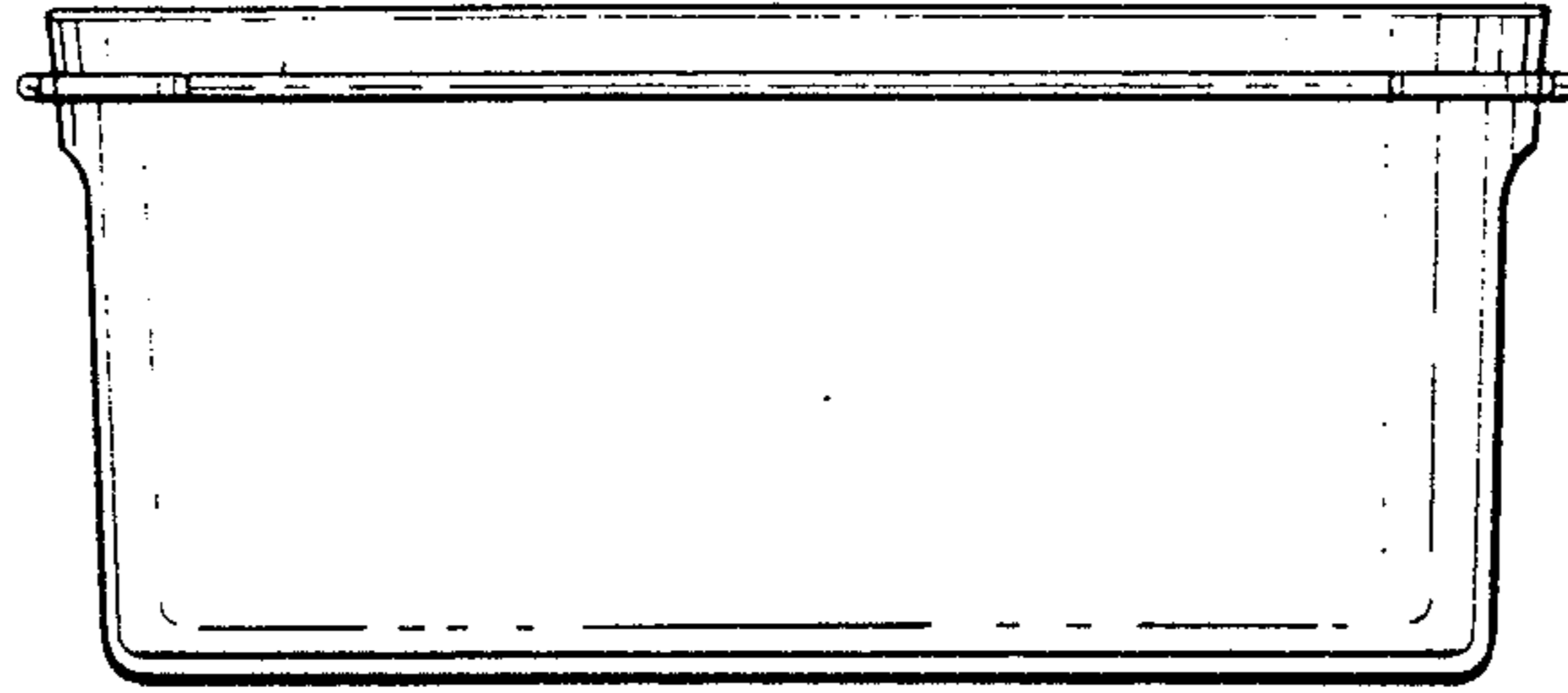
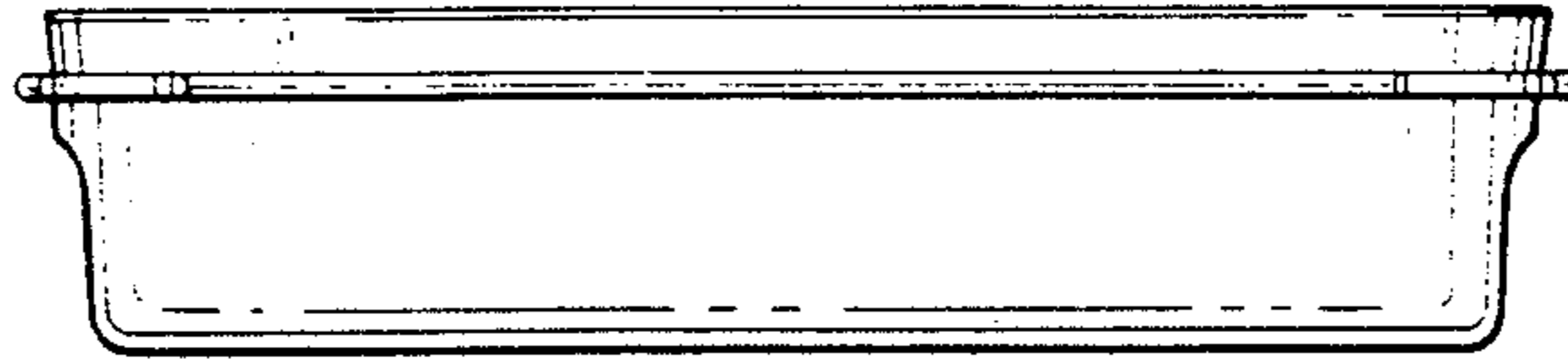


FIG. 8

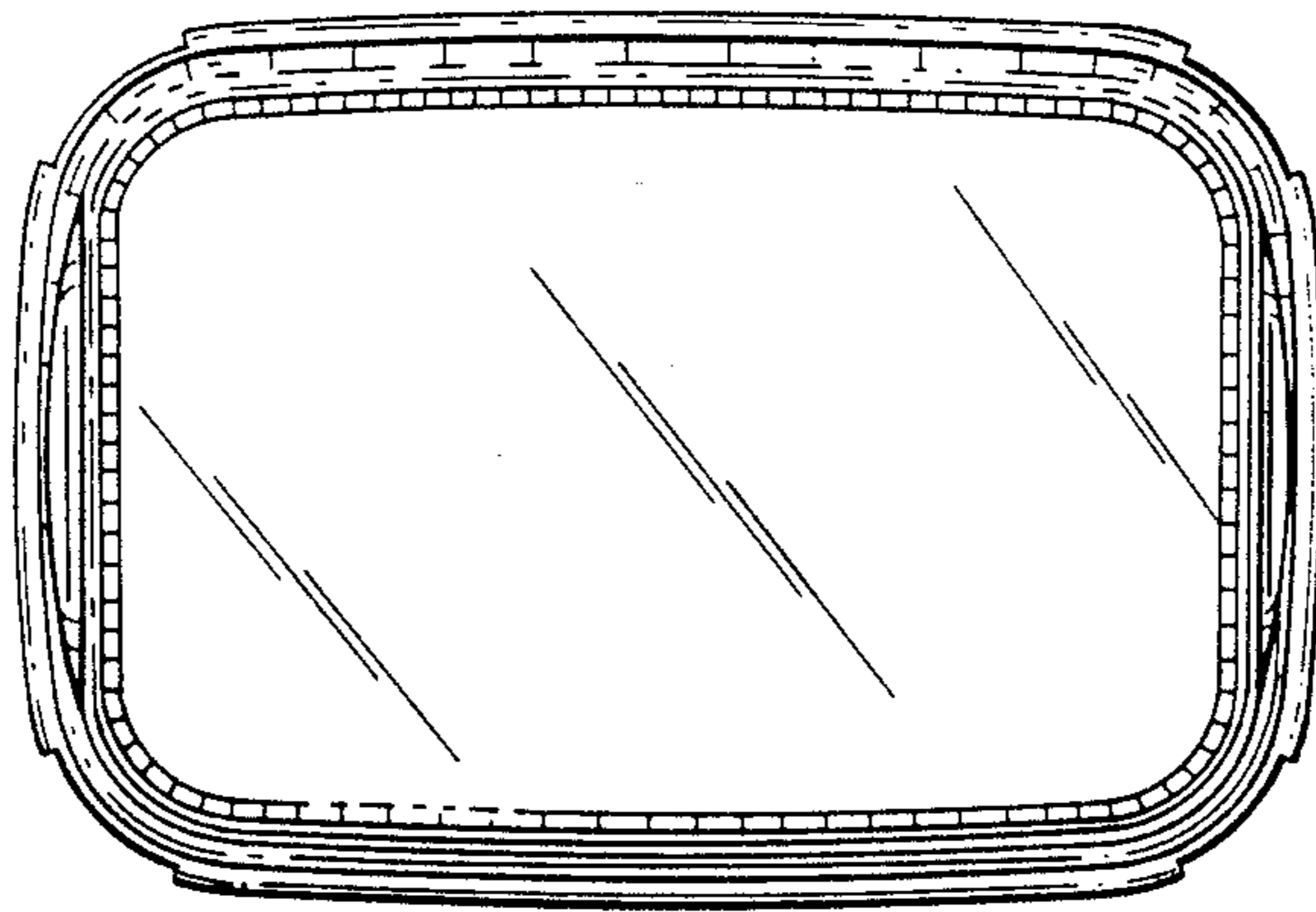


FIG. 5