

[54] GUARD FUNNEL

[76] Inventor: Patricia W. Hasse, 2608 Crown Crest La., La Jolla, Calif. 92037

[**] Term: 14 Years

[21] Appl. No.: 538,155

[22] Filed: Mar. 2, 1984

[52] U.S. Cl. D7/68

[58] Field of Search D7/68, 50; 141/331, 141/98

D. 234,123 1/1975 Ragagli D7/68 X
238,774 3/1881 Fletcher 141/331
D. 244,171 5/1977 Pearce D7/68
2,411,384 11/1946 Miller et al. 141/331

Primary Examiner—Bernard Ansher
Assistant Examiner—Terry Pfeffer
Attorney, Agent, or Firm—Brown, Martin & Haller

[57] CLAIM

The ornamental design for a guard funnel, substantially as shown.

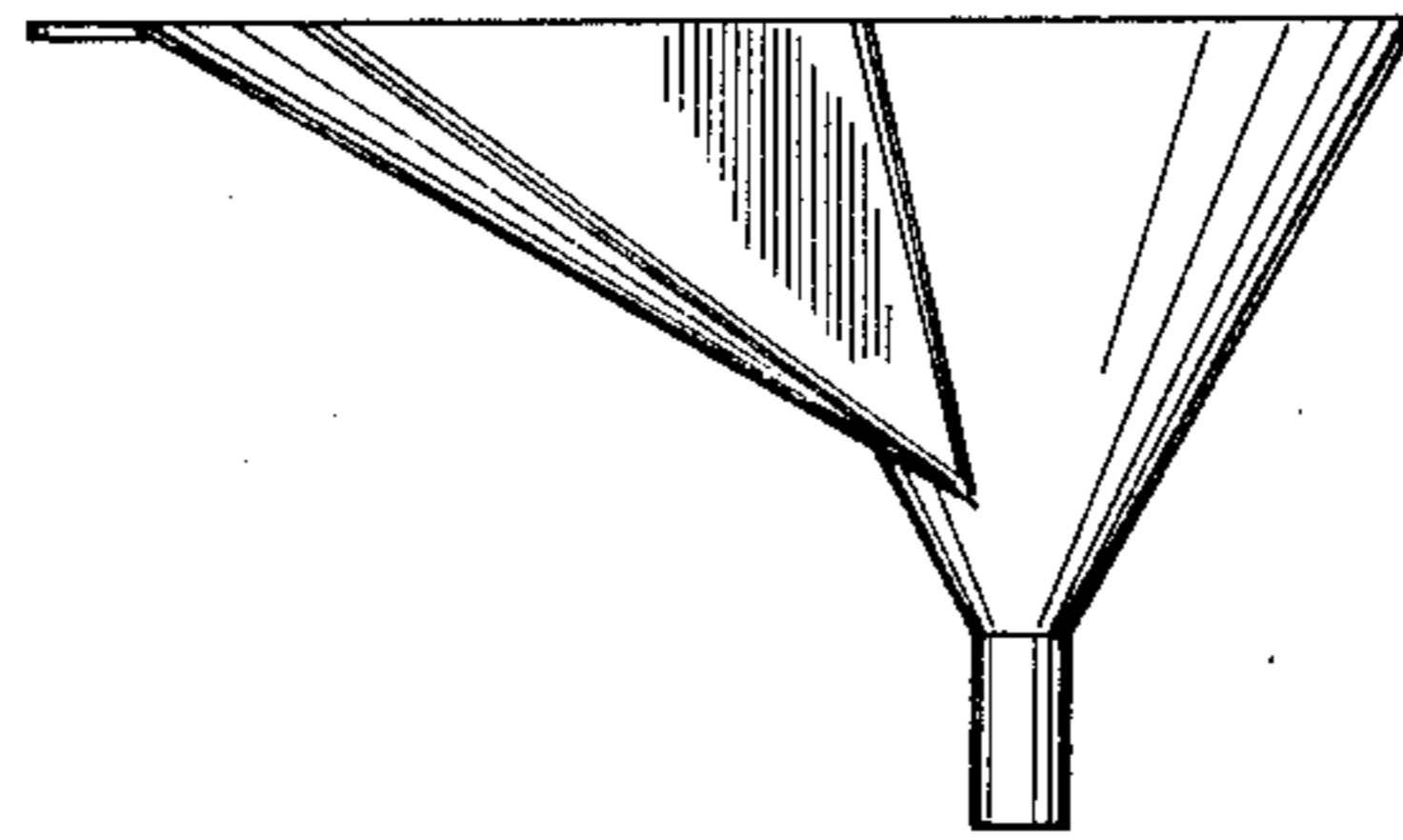
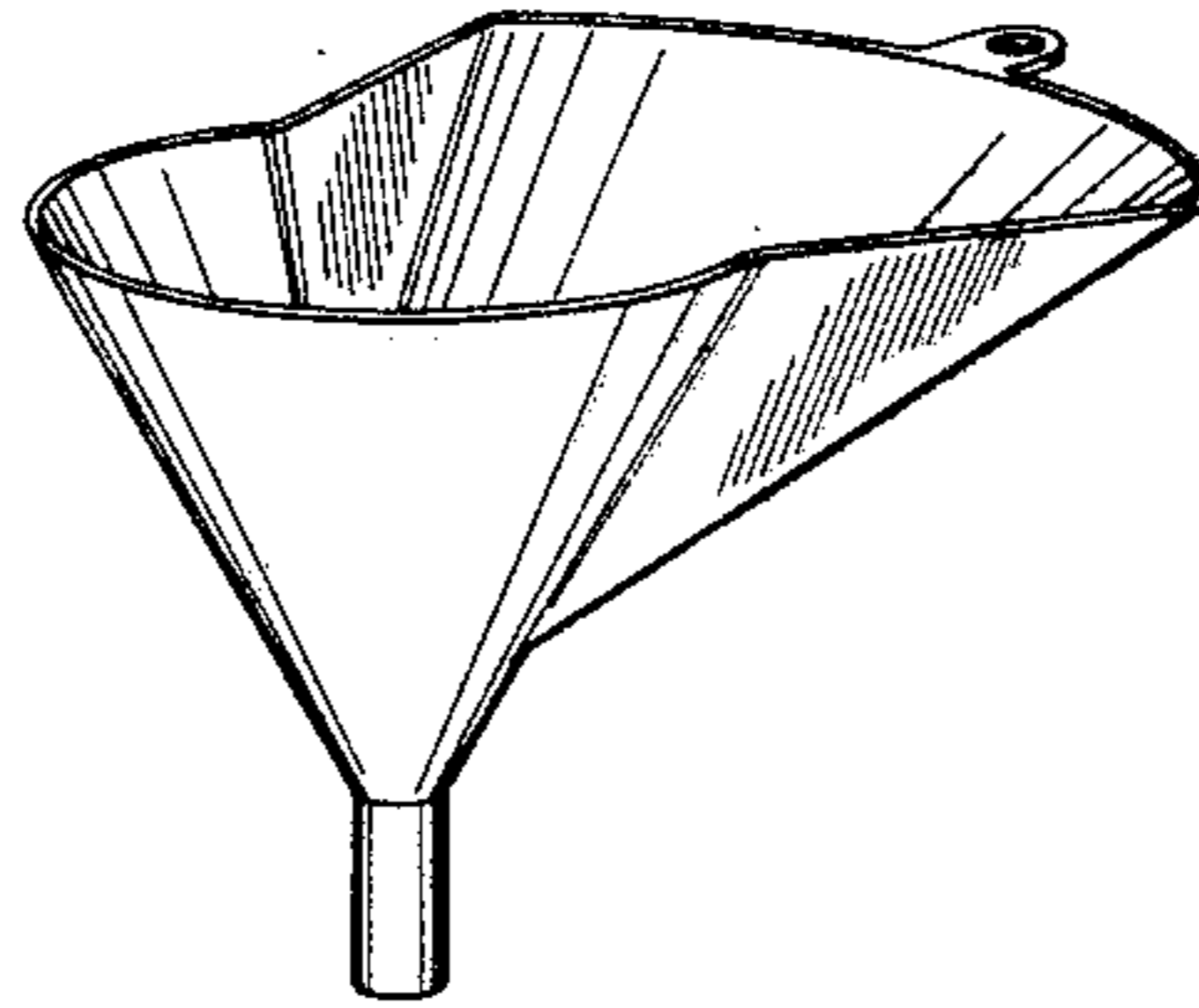
DESCRIPTION

FIG. 1 is a perspective view of a guard funnel, showing my new design;
FIG. 2 is a side elevational view thereof;
FIG. 3 is a bottom plan view thereof; and
FIG. 4 is a rear elevational view thereof.

[56] References Cited

U.S. PATENT DOCUMENTS

D. 143,458 1/1946 Zabel et al. D7/68
D. 230,629 3/1974 Camp et al. D7/68 X



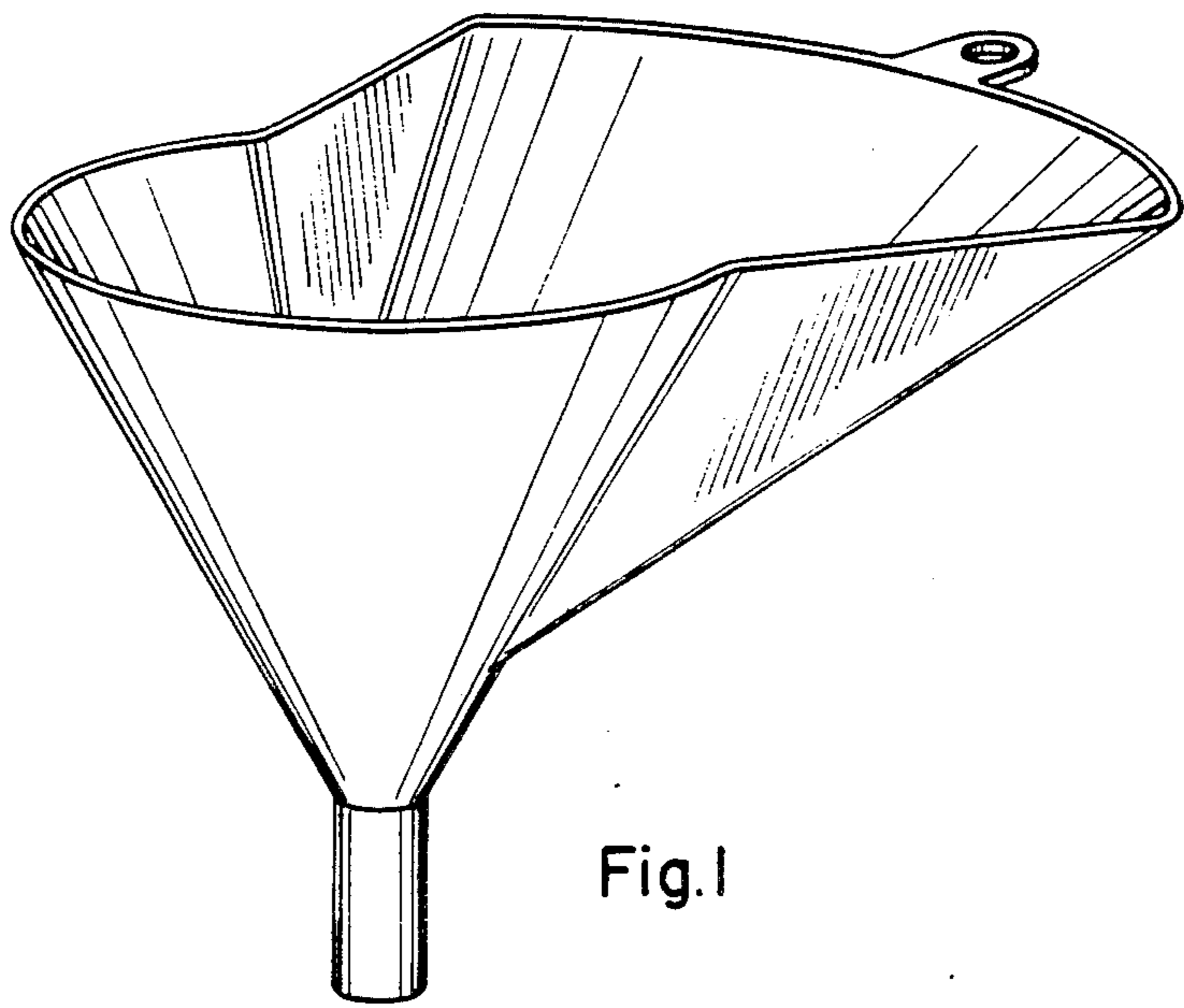


Fig. 1

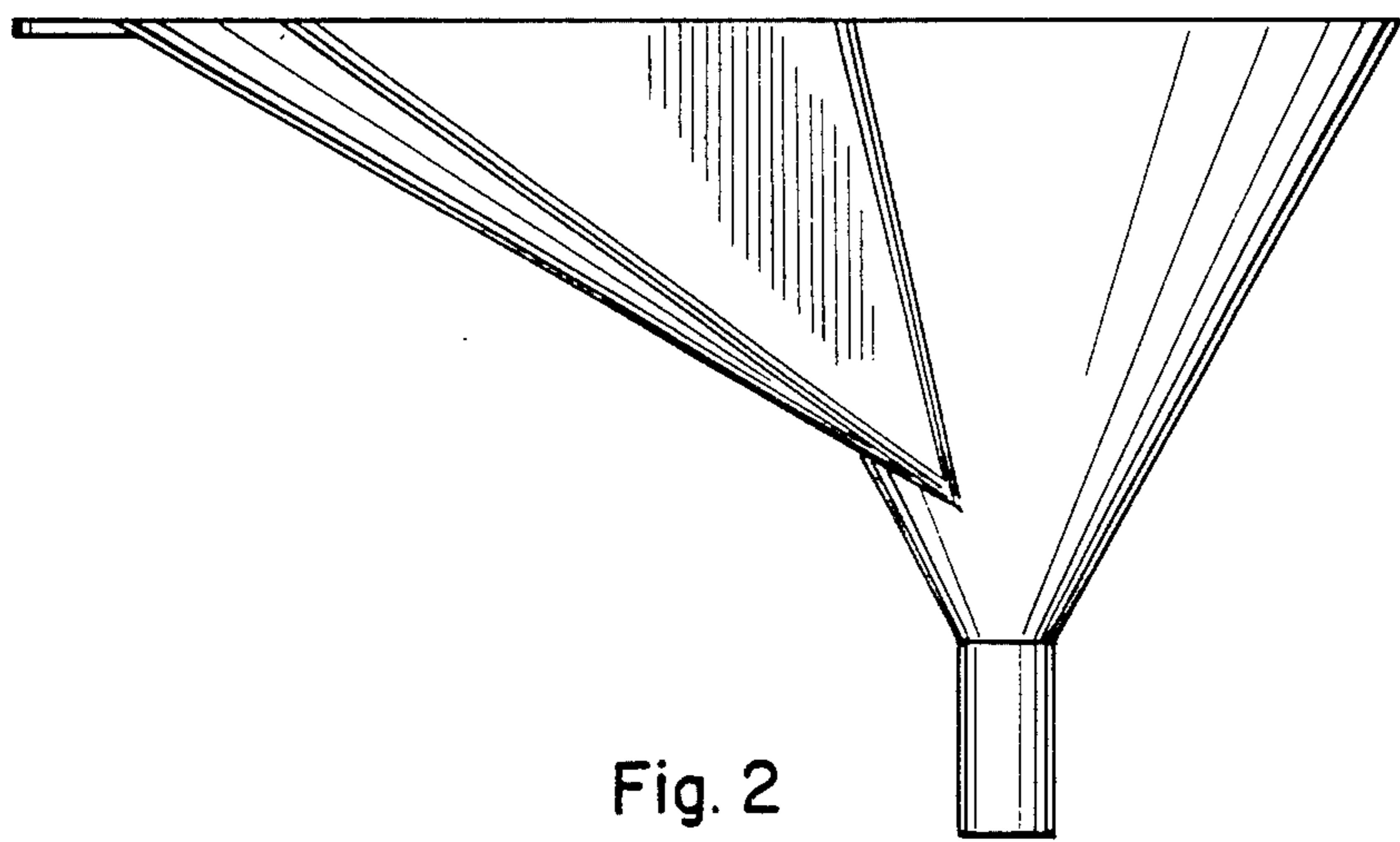


Fig. 2

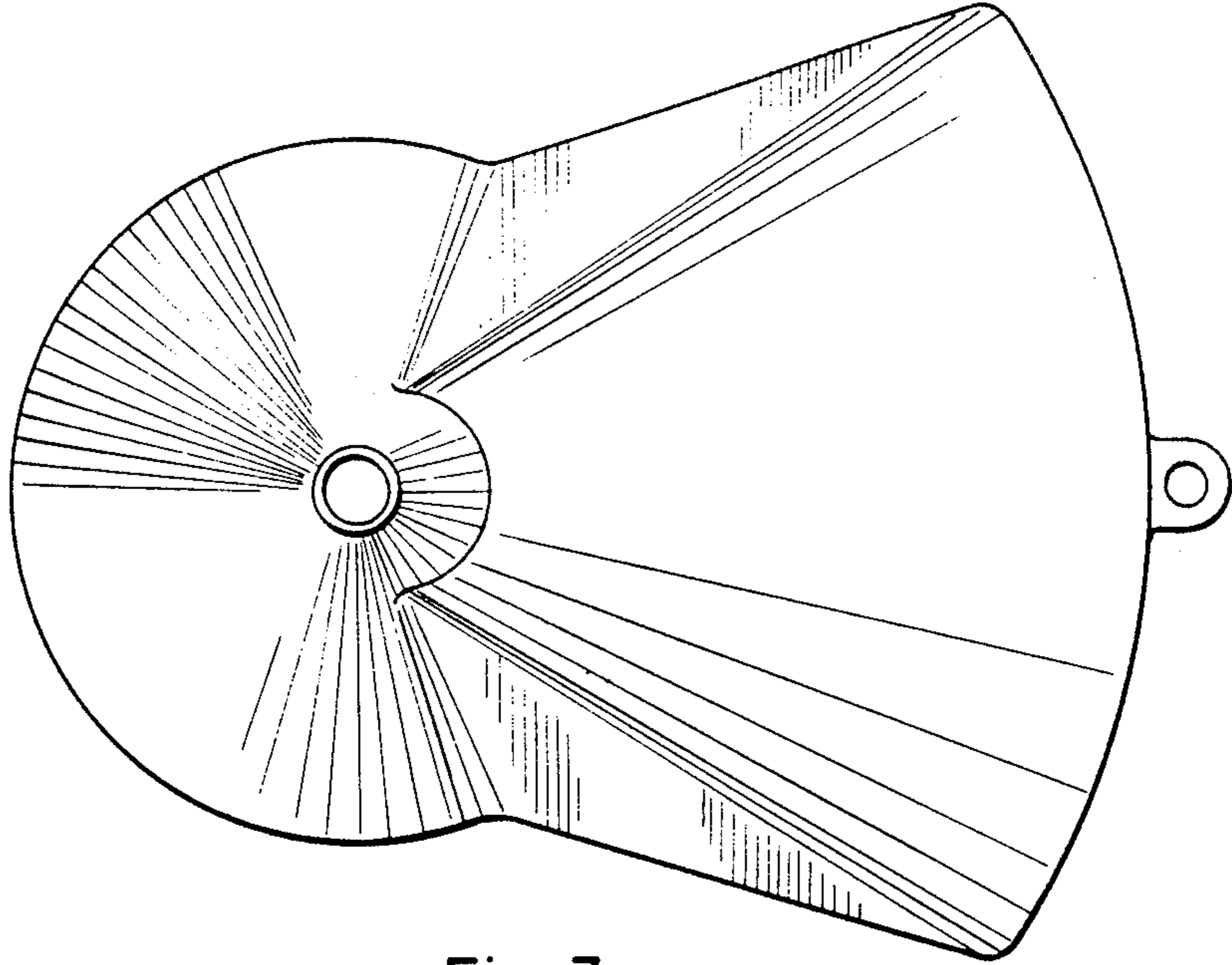


Fig. 3

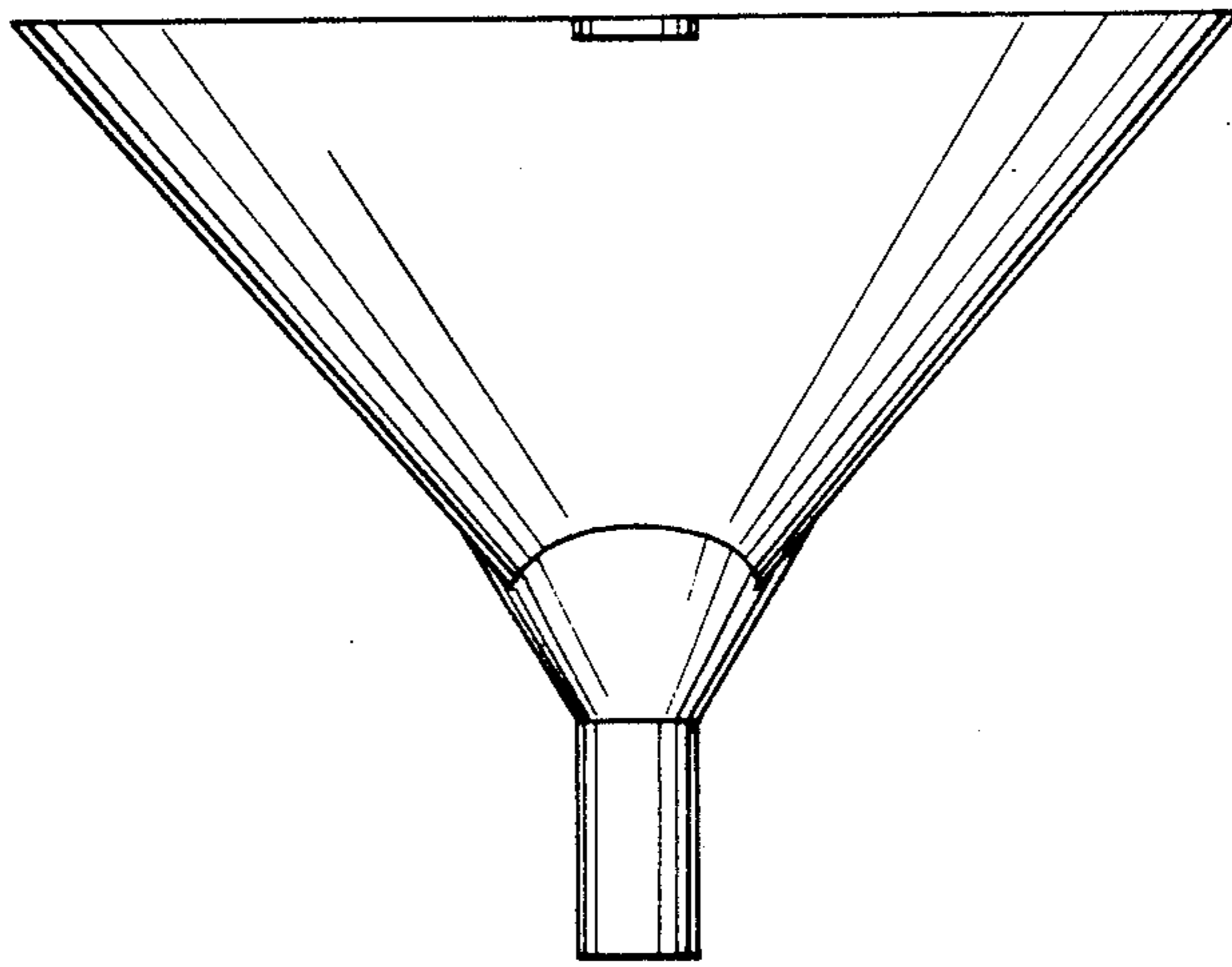


Fig. 4