

[54] STORAGE BRACKET FOR A CHAIN SAW

[76] Inventors: Douglas E. Goins, Rte. 4, Box 337;
Johnny E. Rhodes, 623 N. Poplar St.,
both of Lincolnton, N.C. 28092

[**] Term: 14 Years

[21] Appl. No.: 518,401

[22] Filed: Jul. 29, 1983

[52] U.S. Cl. D6/553; D6/512;
D8/373

[58] Field of Search D6/407, 410, 411, 412,
D6/449, 458, 460, 462, 464, 475, 510, 512-514,
518, 526, 531, 535, 546, 548-550, 552-554, 563,
566-572; 211/13, 86, 87, 70.8, 55, 106, 181;
248/75, 89, 90, 214, 220.2, 220.3, 289, 309,
302-303, 309.1, 311.2, 312.1, 313, 315, 316.1,
316.7, 444, 447.1, 455, 456, 465.1; D8/373, 380,
356, 354, 376

[56] References Cited

U.S. PATENT DOCUMENTS

D. 163,069 4/1951 Roberts D8/354

D. 195,753 7/1963 Grosher D6/462
D. 214,934 8/1969 Pitts D6/535
D. 251,018 2/1979 Lockwood D8/354
D. 266,382 10/1982 Hutchinson D8/373
950,361 2/1910 Woods 248/214
1,653,769 12/1927 Johnson 248/317
4,133,509 1/1979 Kalbow et al. D6/535

Primary Examiner—Wallace R. Burke
Assistant Examiner—Suzanne N. Gitlin
Attorney, Agent, or Firm—Cushman, Darby & Cushman

[57] CLAIM

The ornamental design for a storage bracket for a chain saw, substantially as shown and described.

DESCRIPTION

FIG. 1 is a side elevational view of a support bracket for a chain saw showing our new design;
FIG. 2 is a top plan view thereof;
FIG. 3 is a rear elevational view thereof;
FIG. 4 is a side elevational view thereof taken from the side opposite that illustrated in FIG. 1; and
FIG. 5 is an enlarged front and side perspective view thereof.

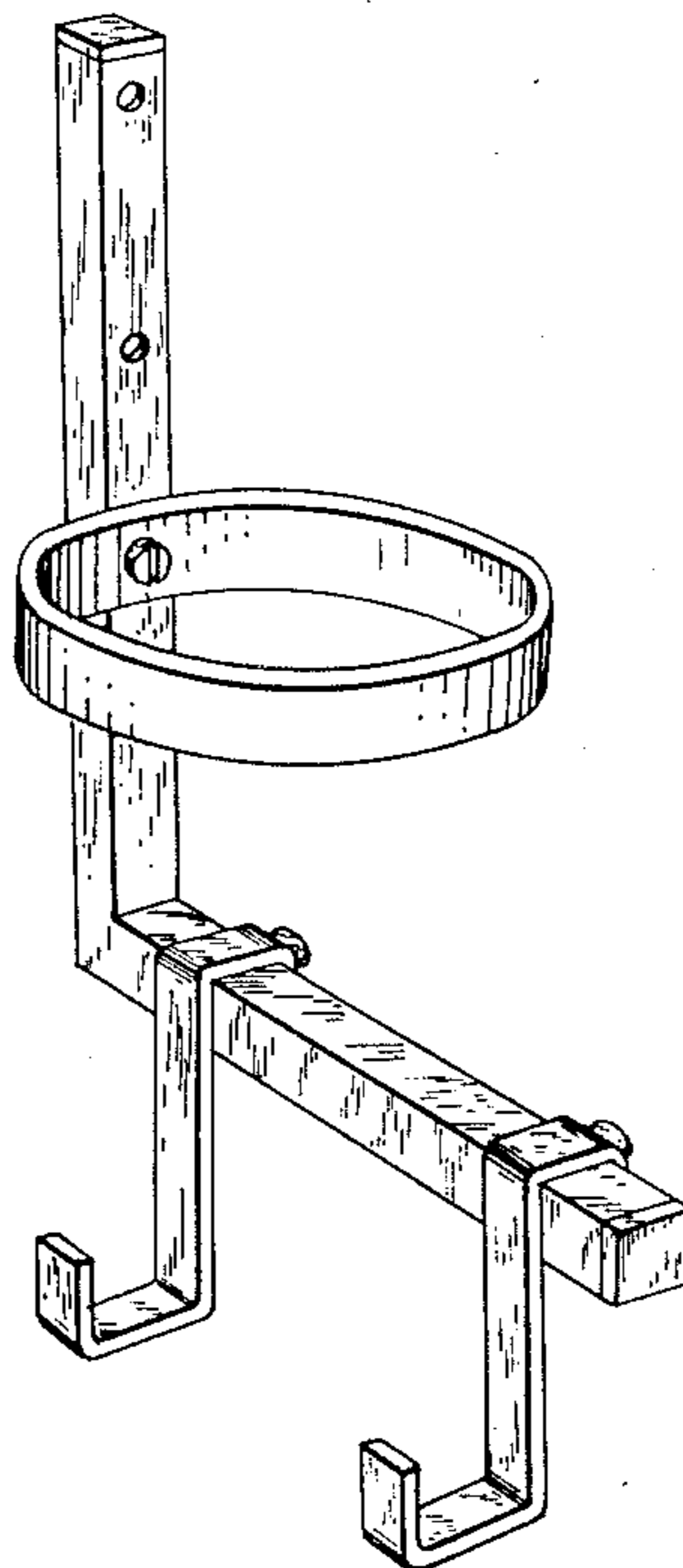


Fig. 1.

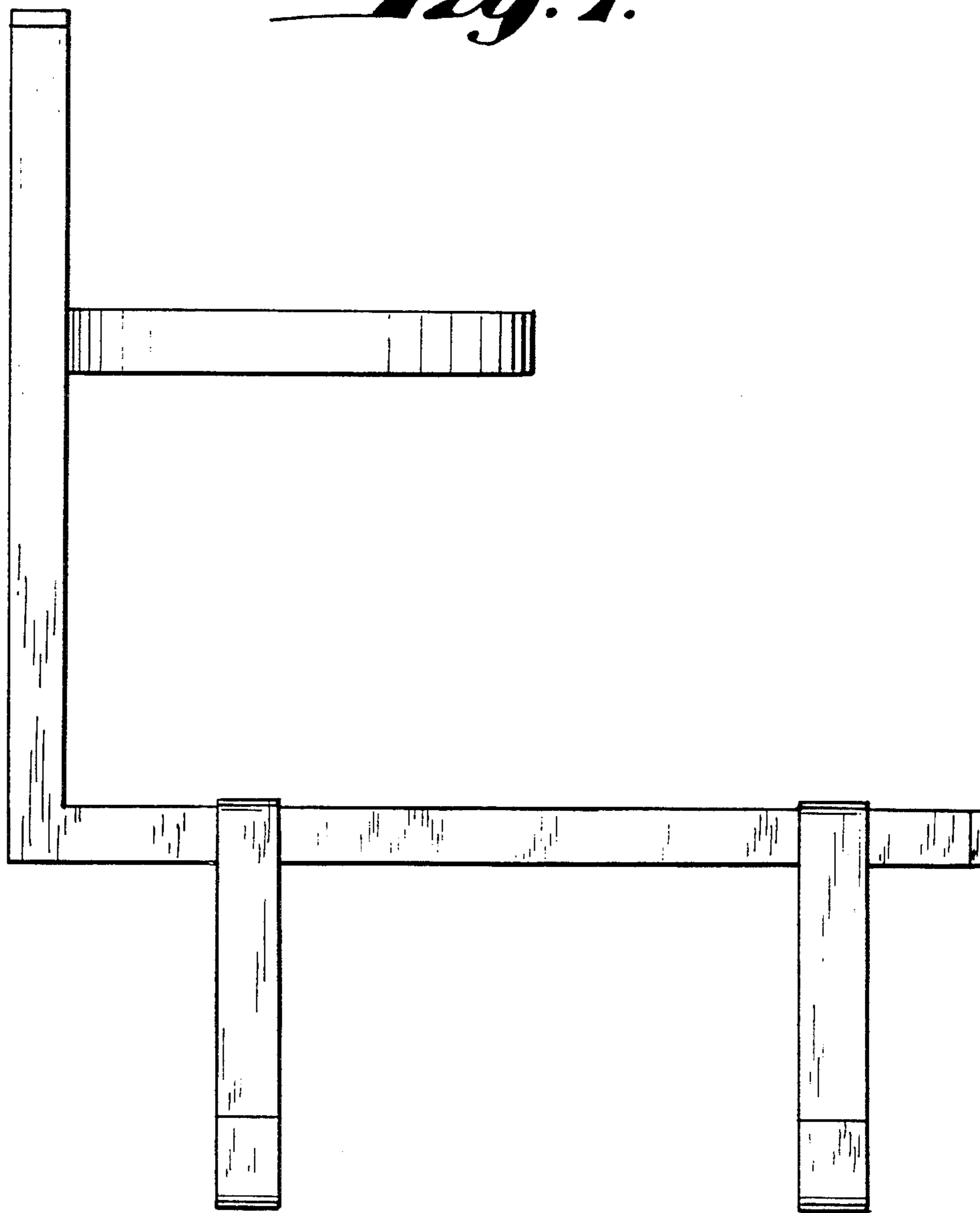
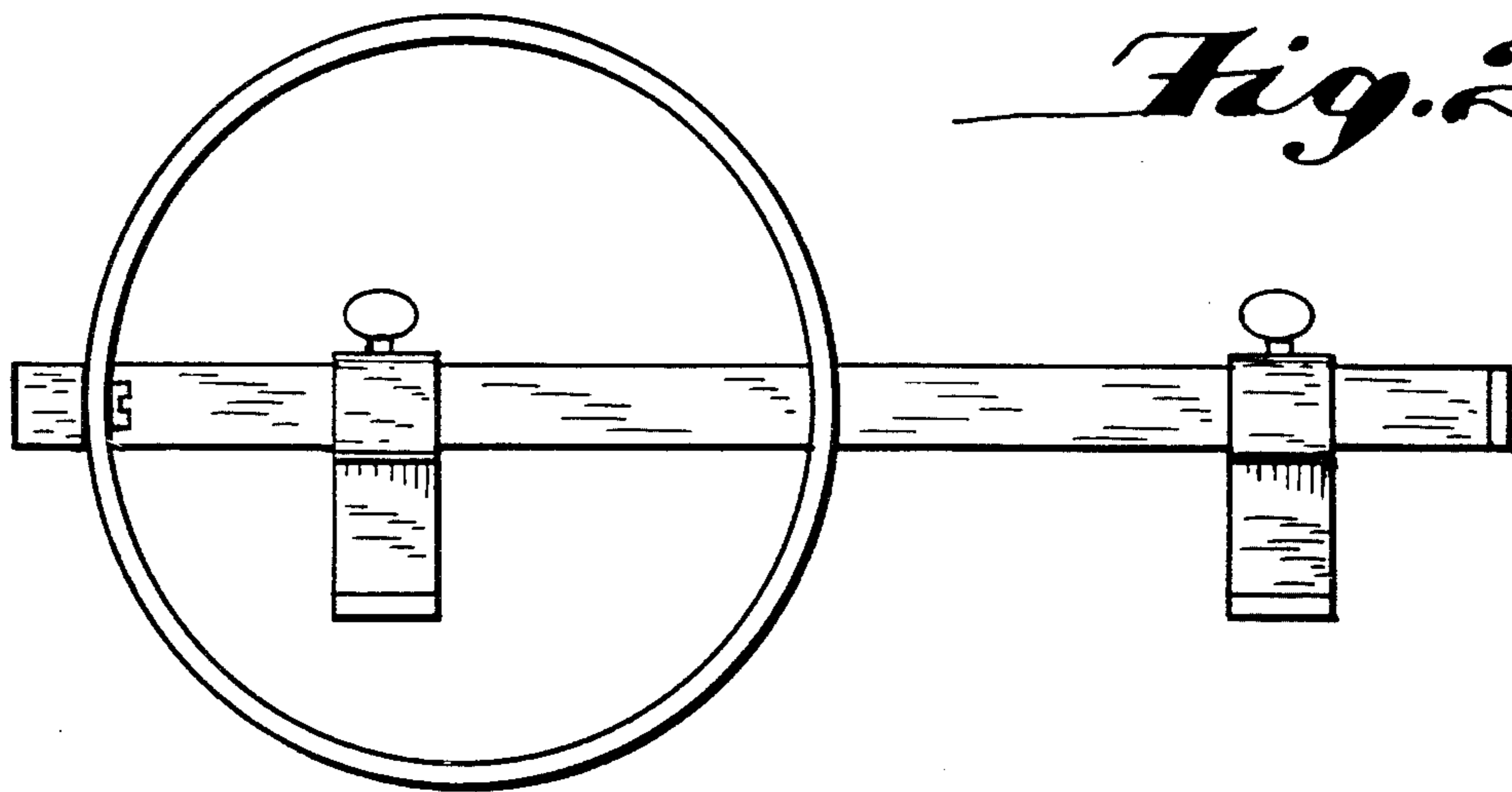


Fig. 2.



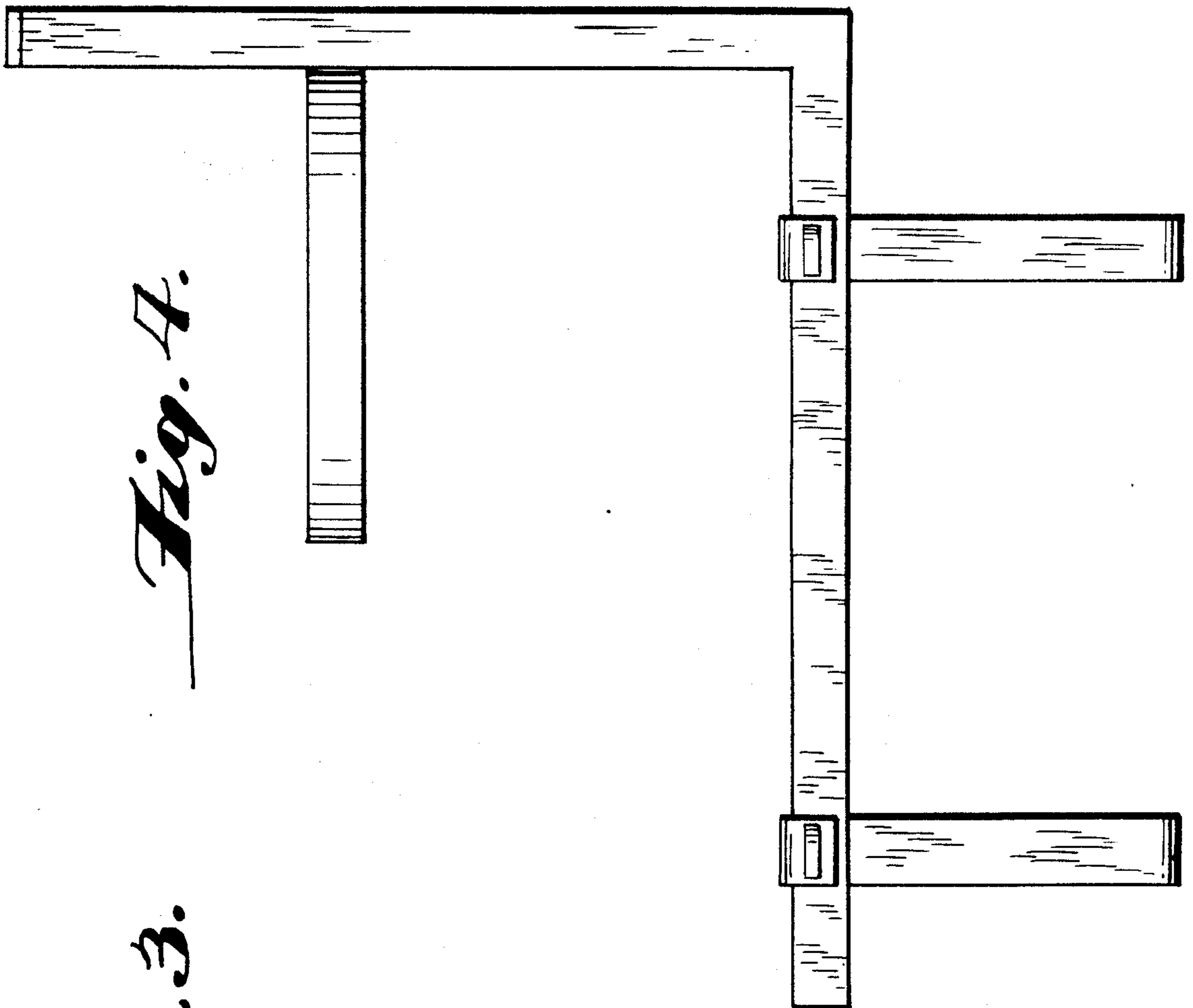


Fig. 4.

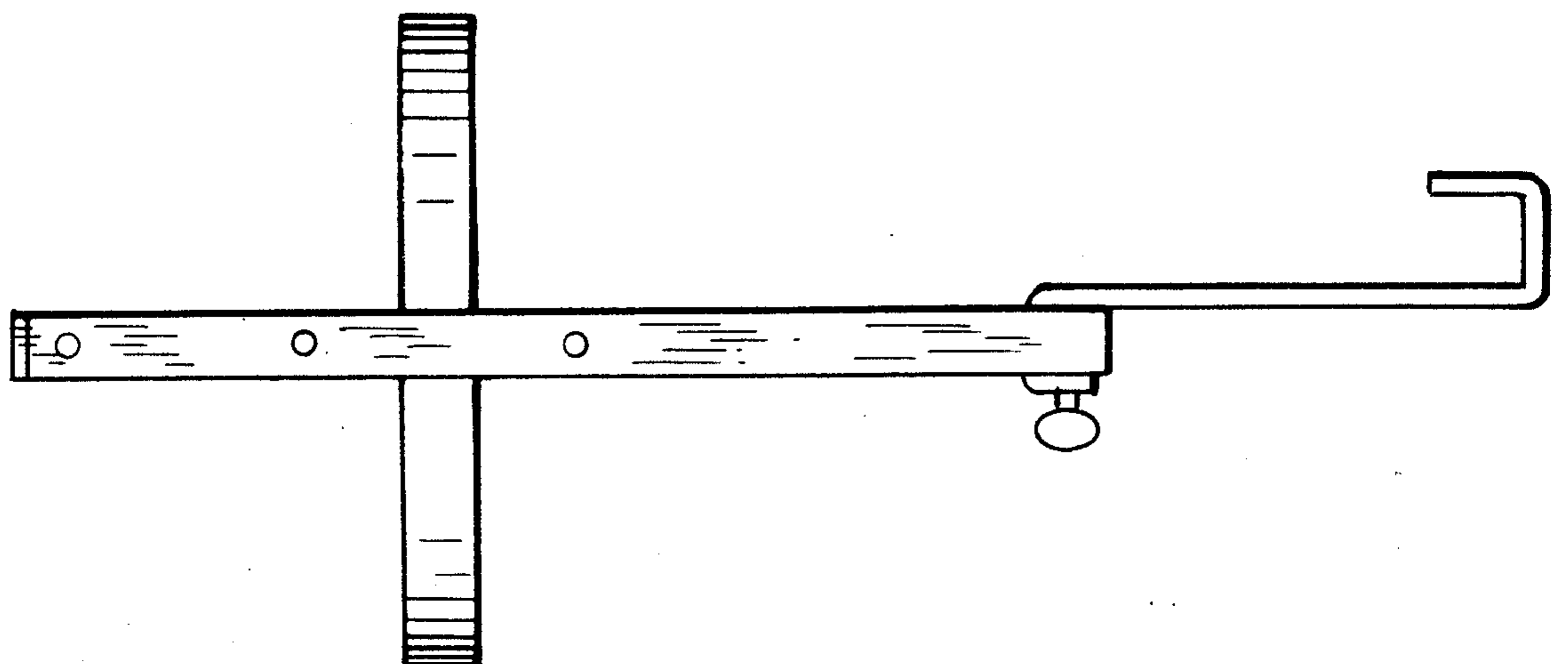


Fig. 3.

Fig. 5.

