

[54] **FRAME FOR A CHAIR**

[76] **Inventor: Kurt H. Sorensen, 22 Rhyndarra St., Yeronga, Q. 4104, Australia**

[**] **Term: 14 Years**

[21] **Appl. No.: 497,674**

[22] **Filed: May 24, 1983**

[30] **Foreign Application Priority Data**

Nov. 24, 1982 [AU] Australia 2207/82
[52] **U.S. Cl.** **D6/500; D6/334**
[58] **Field of Search** **D6/334, 337, 371, 368, D6/369, 491, 500**

[56] **References Cited**

U.S. PATENT DOCUMENTS

- D. 233,869 12/1974 Lopez-Leautaud D6/368 X
- D. 251,098 2/1979 Diedrich et al. D6/368 X
- D. 263,654 4/1982 Borichevsky D6/368
- D. 265,151 6/1982 Roner D6/368

Primary Examiner—Bruce W. Dunkins
Attorney, Agent, or Firm—Holman & Stern

[57] **CLAIM**

The ornamental design for a frame for a chair, substantially as shown.

DESCRIPTION

FIG. 1 is a side perspective view of a chair frame showing my design; and
FIG. 2 is a bottom perspective view thereof.

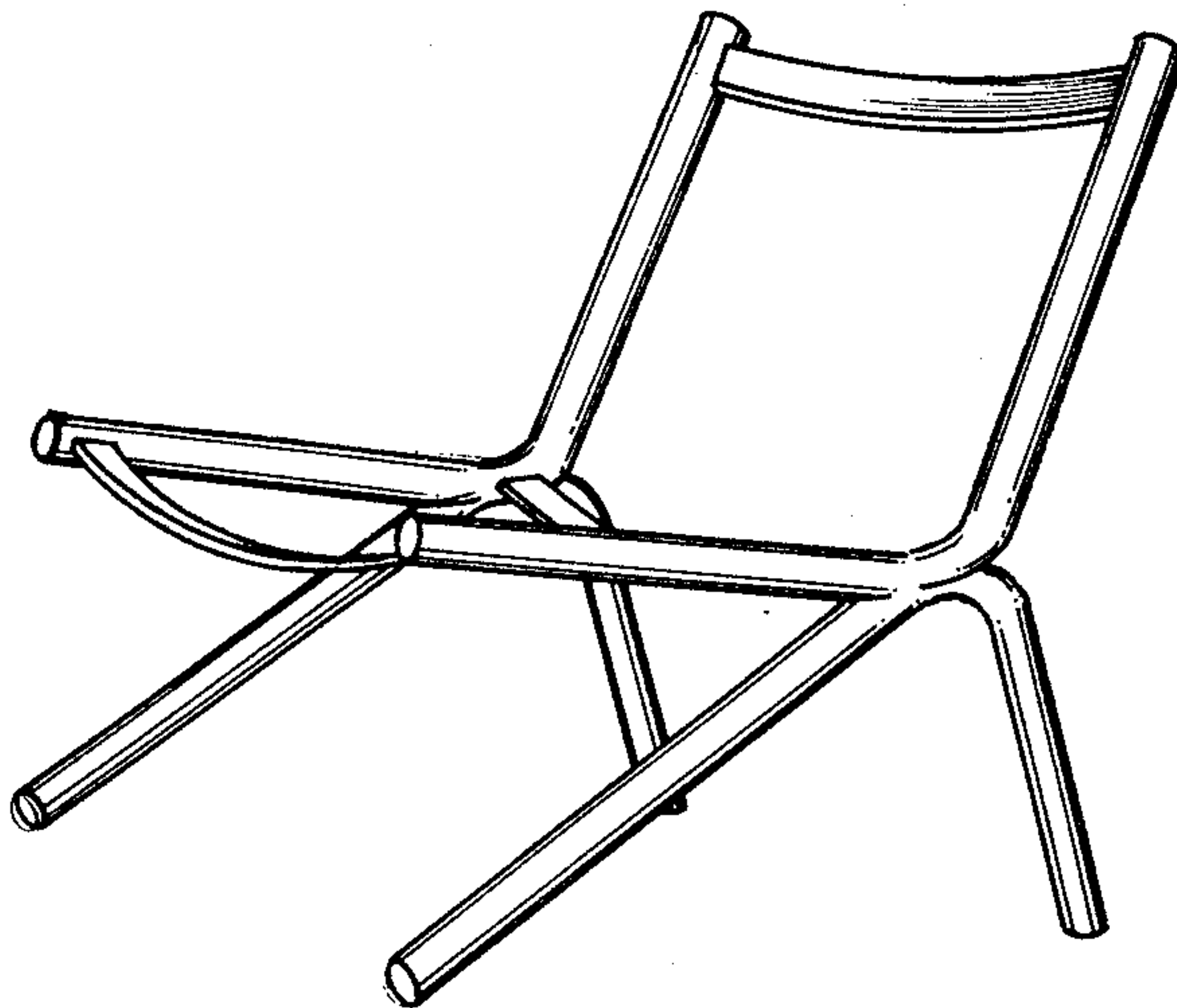


FIG. 1

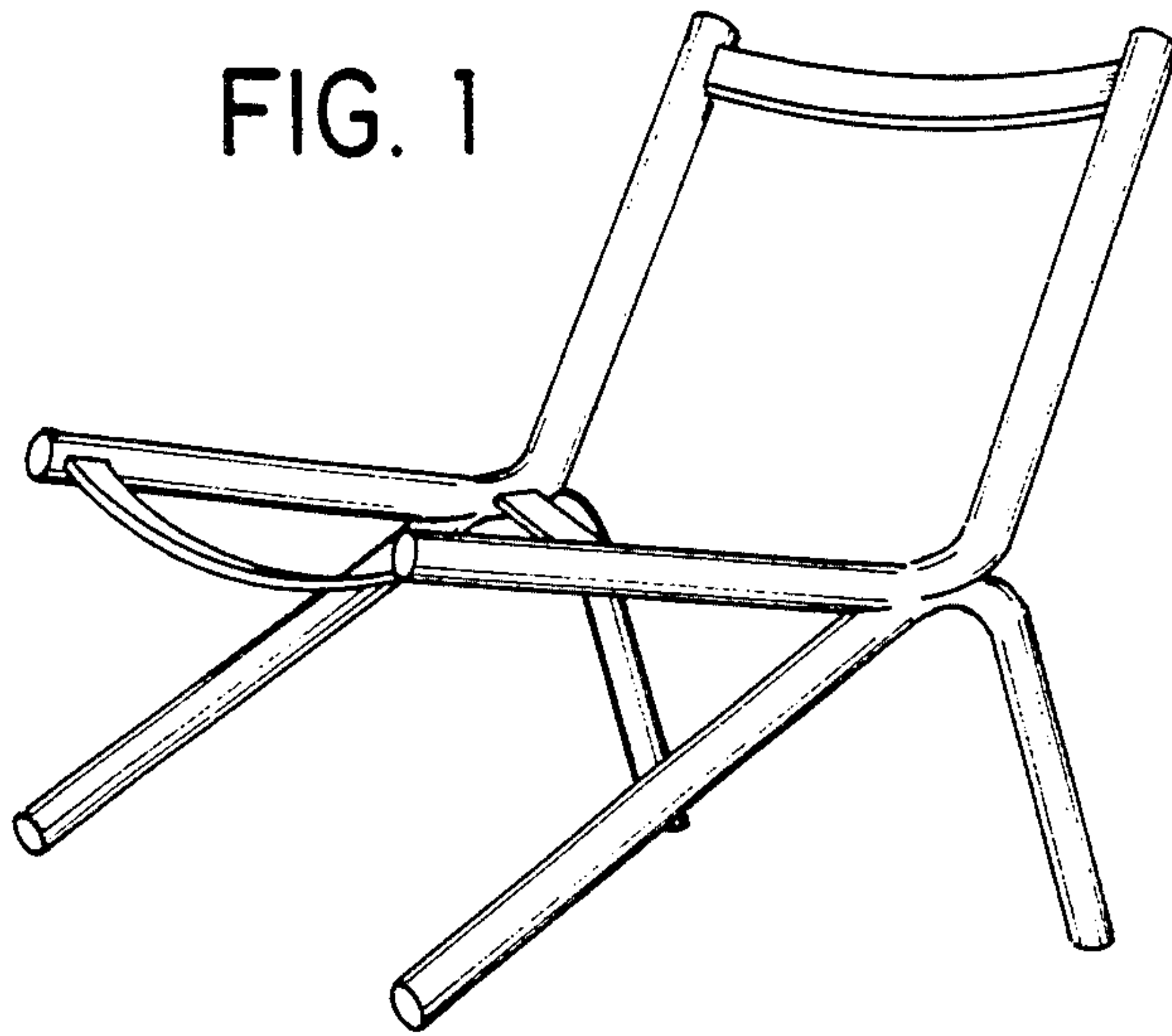


FIG. 2

