

[54] TABLE BASE

[75] Inventor: William Doezema, Grand Rapids, Mich.

[73] Assignee: Baker, Knapp & Tubbs, Inc., Chicago, Ill.

[\*\*] Term: 14 Years

[21] Appl. No.: 543,189

[22] Filed: Oct. 18, 1983

[52] U.S. Cl. .... D6/495; D6/484

[58] Field of Search ..... D6/449, 461, 495, 497, D6/499, 484, 488

[56] References Cited

U.S. PATENT DOCUMENTS

D. 176,491	1/1956	Adler	.....	D6/488
D. 234,068	1/1975	Mudde	.....	D6/489 X
D. 243,306	2/1977	Moyer	.....	D6/488 X
D. 255,074	5/1980	Adkinson	.....	D6/488
D. 271,551	11/1983	Rausch	.....	D6/495

Primary Examiner—Bruce W. Dunkins

Attorney, Agent, or Firm—Thomas A. Briody; William J. Streeter

[57] CLAIM

The ornamental design for a table base, as shown and described.

DESCRIPTION

FIG. 1 is a perspective view of a table base showing my design;

FIG. 2 is a top plan view on a reduced scale;

FIG. 3 is a side elevational view of the table base of FIG. 2;

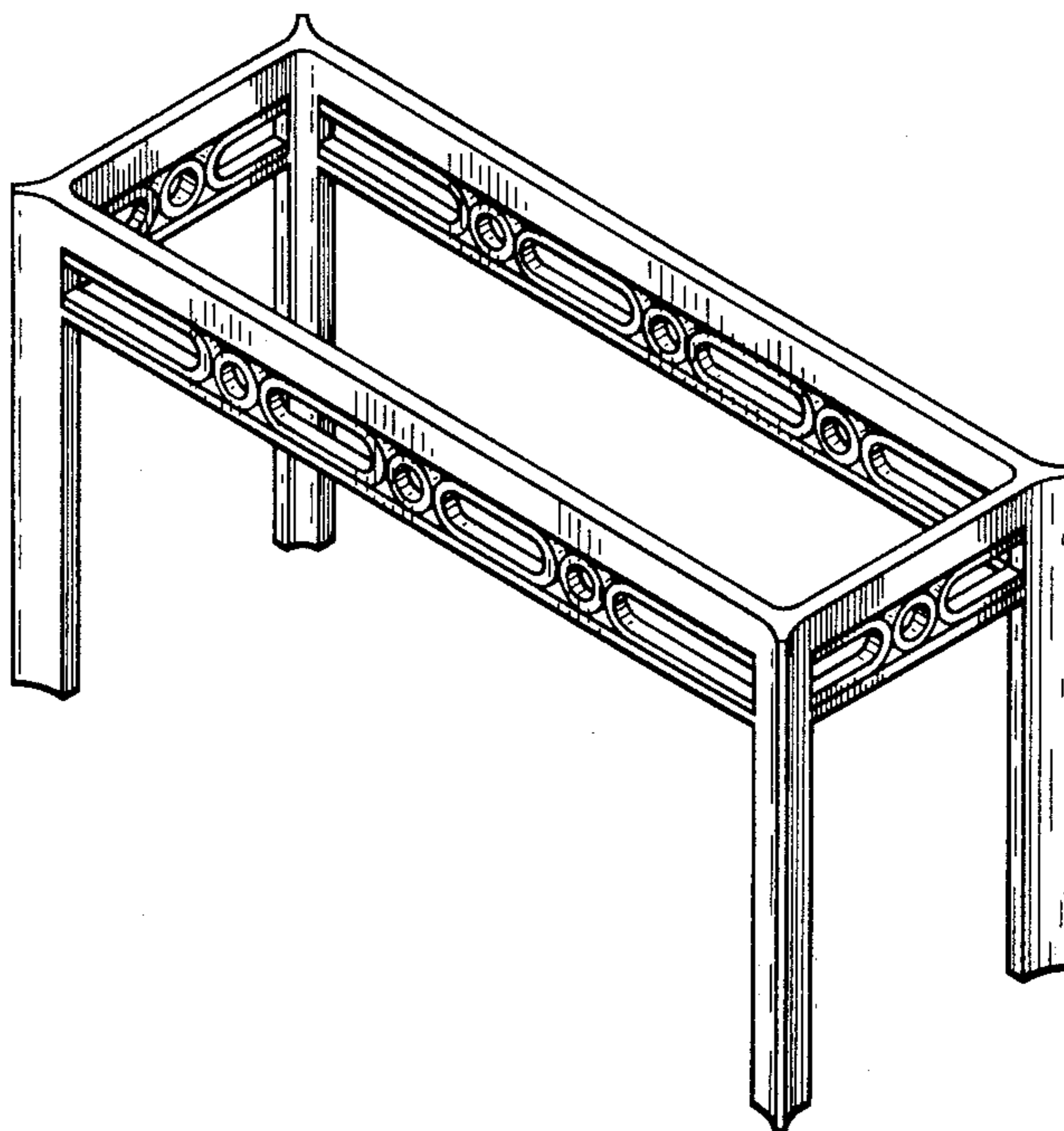
FIG. 4 is an end elevational view of the table base of FIG. 2; and

FIG. 5 is a bottom plan view thereof;

FIG. 6 is a perspective view of a table base showing a second embodiment of my design in the form of a square rather than a rectangle; and

FIG. 7 is a perspective view of a table base showing a third embodiment of my design.

The sides and ends not shown in the FIGS. 1 and 7 embodiments are like the respective sides and ends shown while the undisclosed sides of the FIG. 6 embodiment of the table base are identical to the two sides shown.



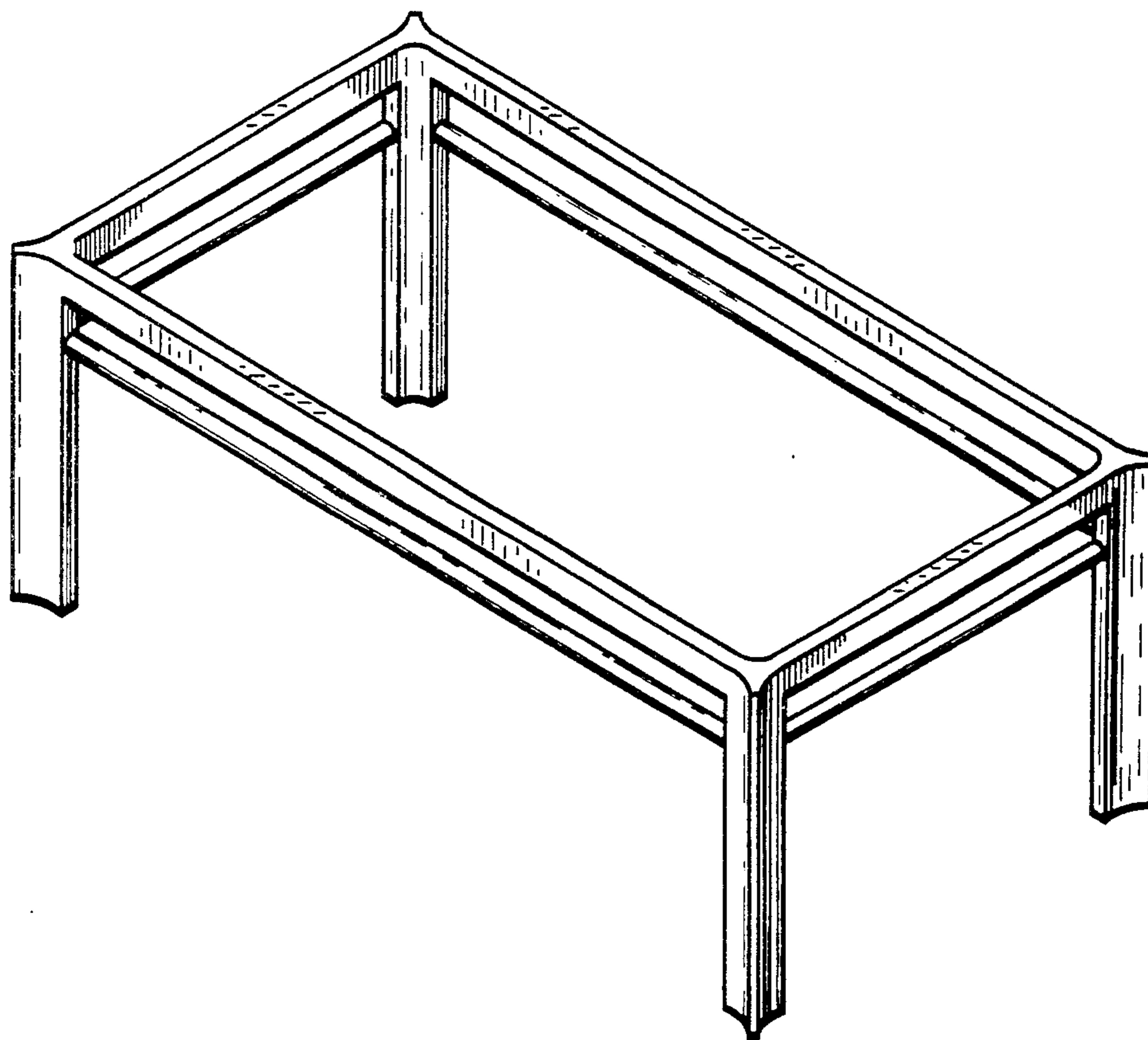


Fig. 1

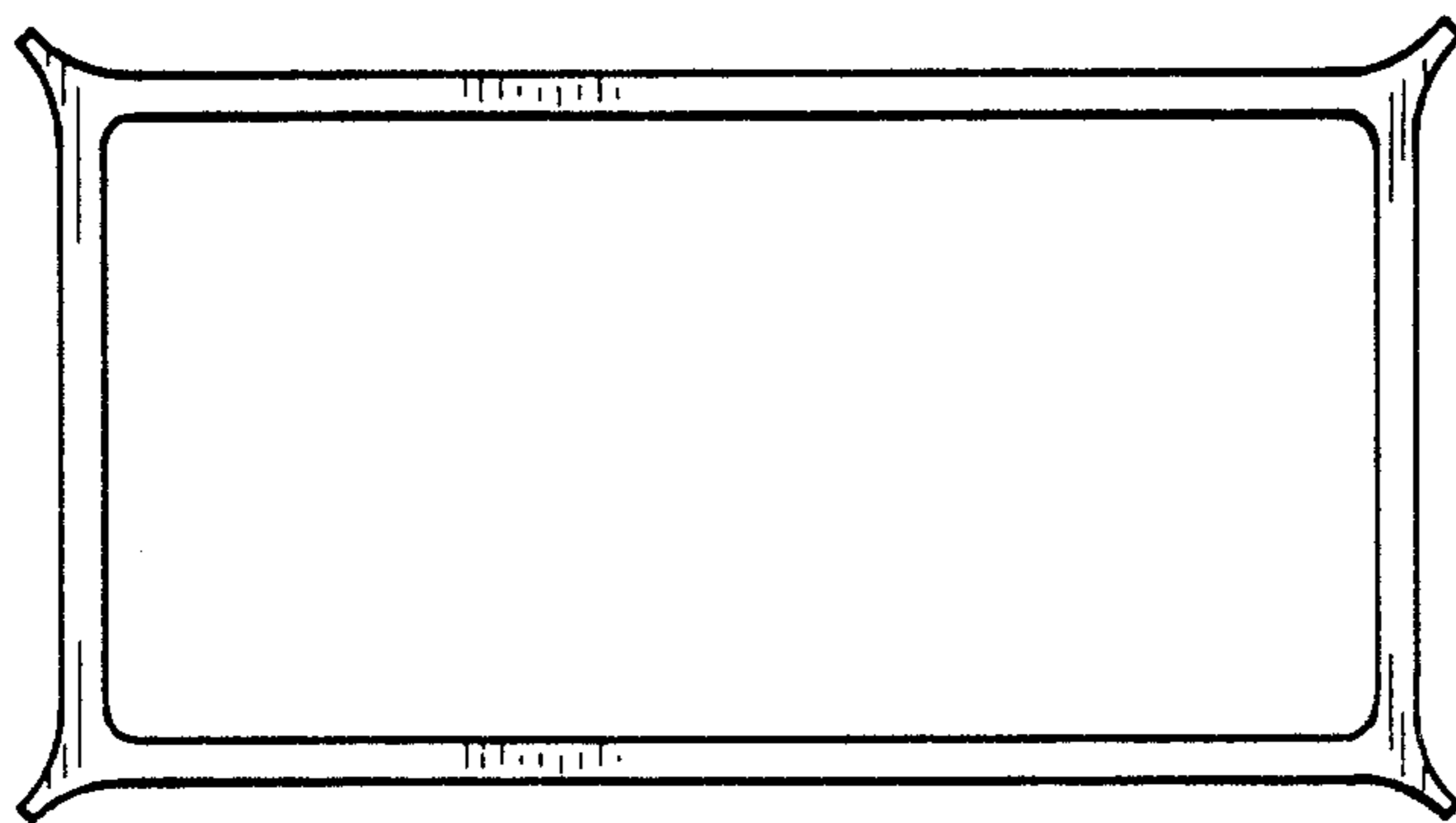


Fig. 2

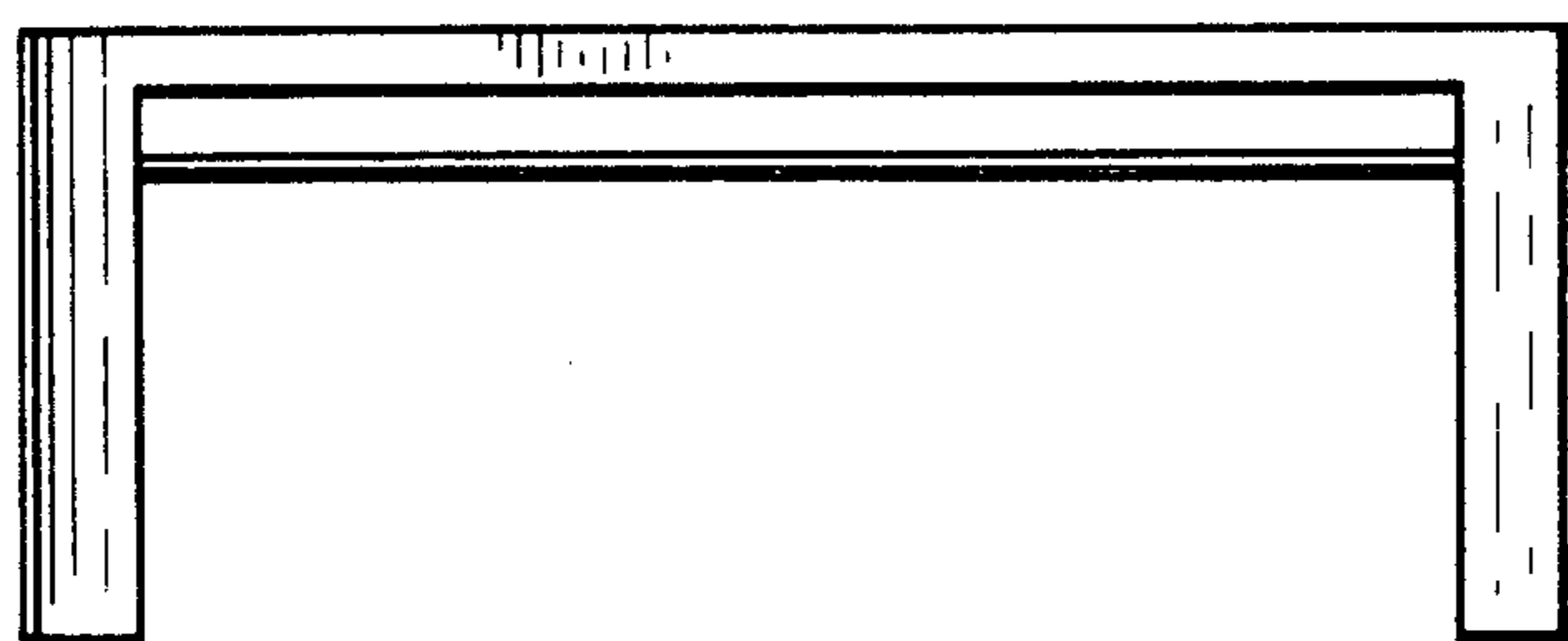


Fig. 3

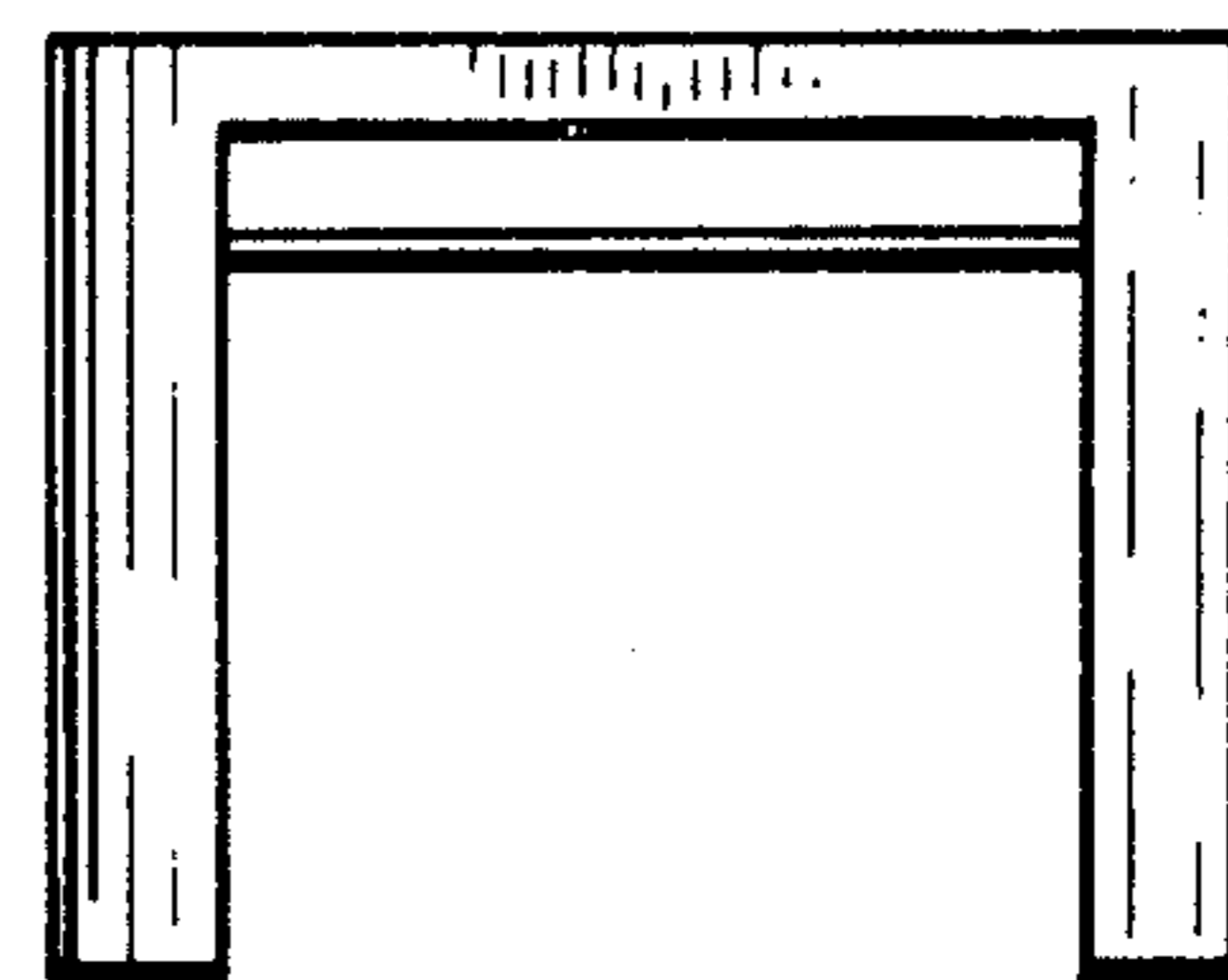


Fig. 4

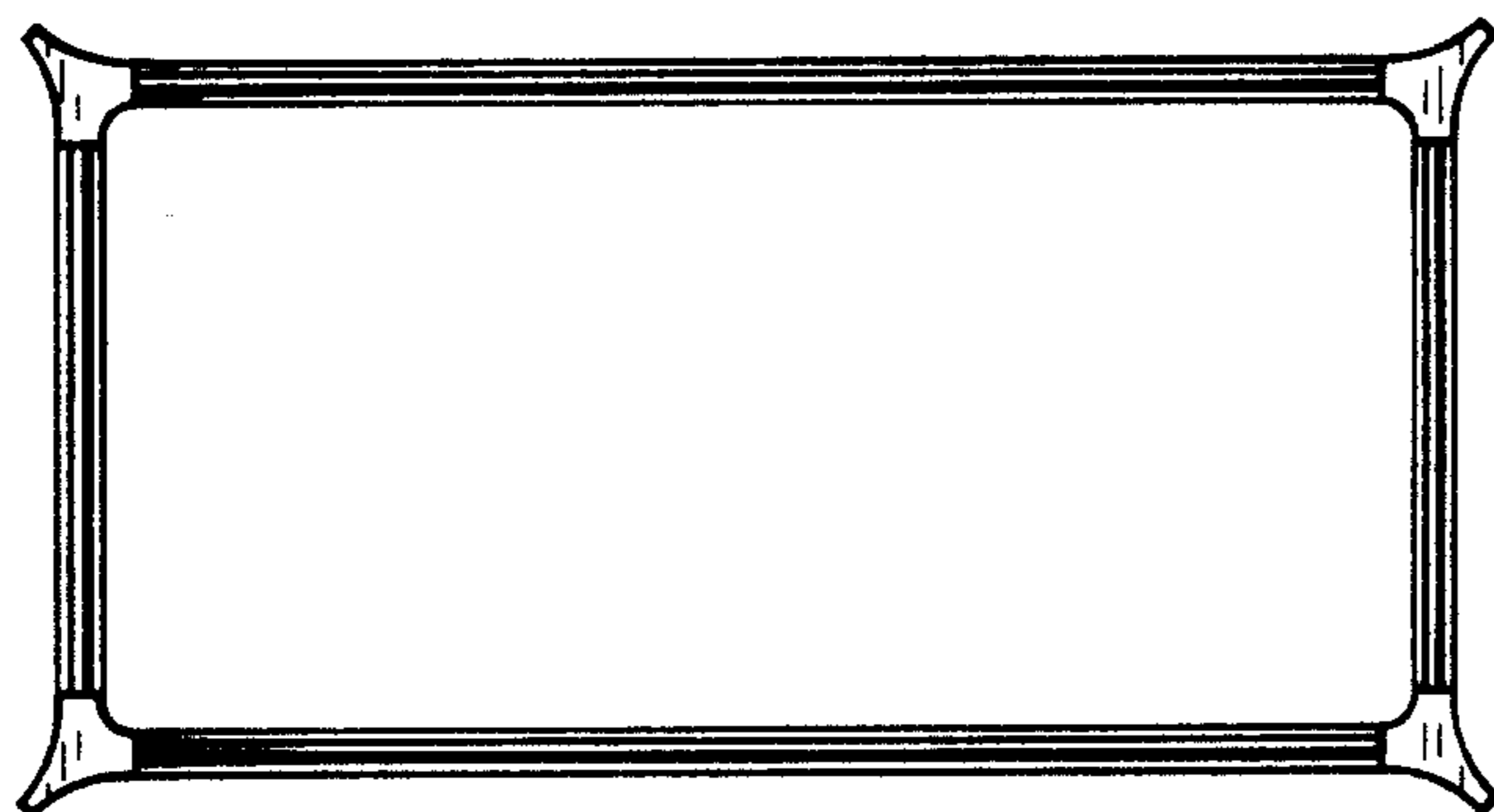


Fig. 5

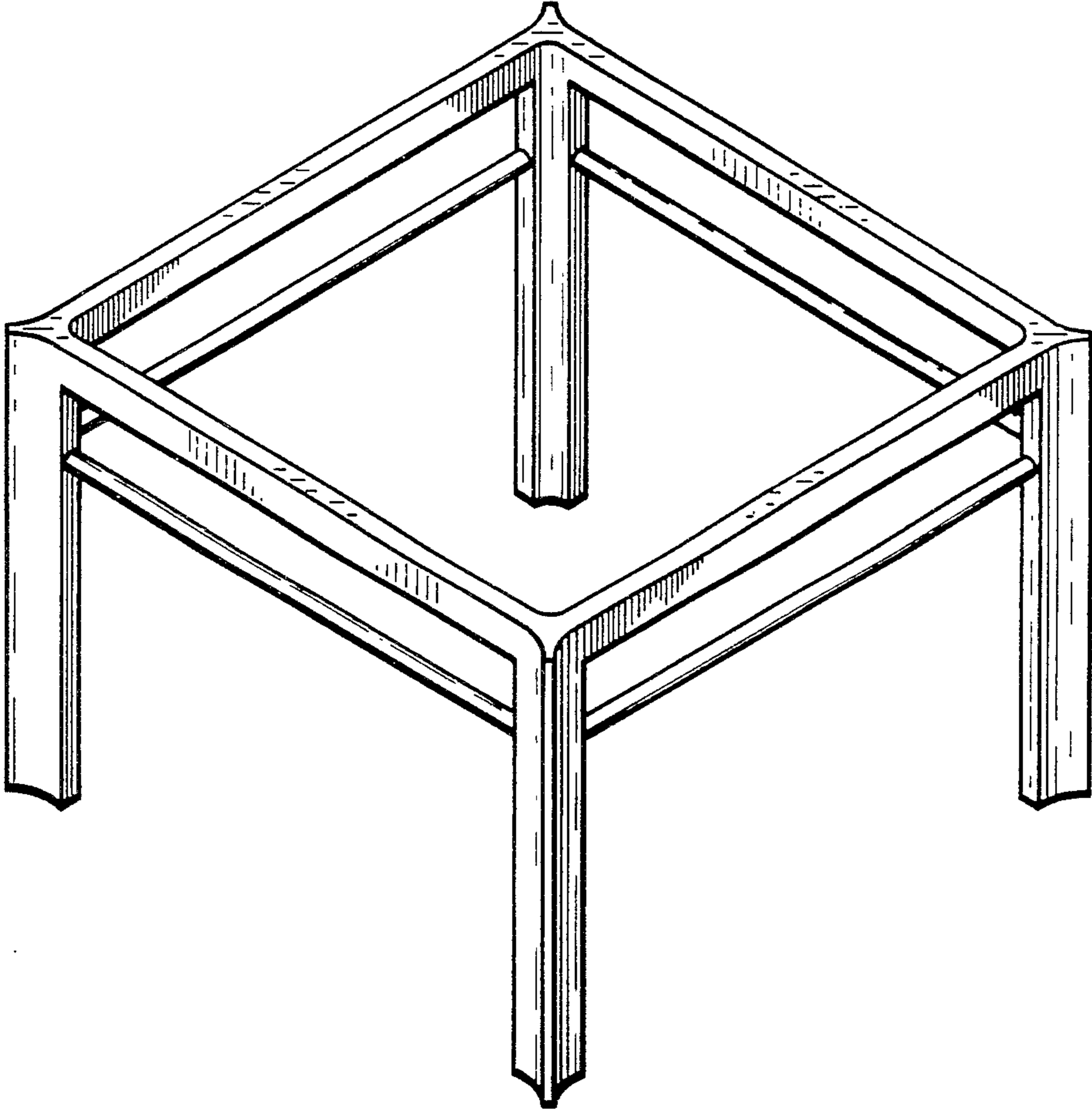


Fig. 6

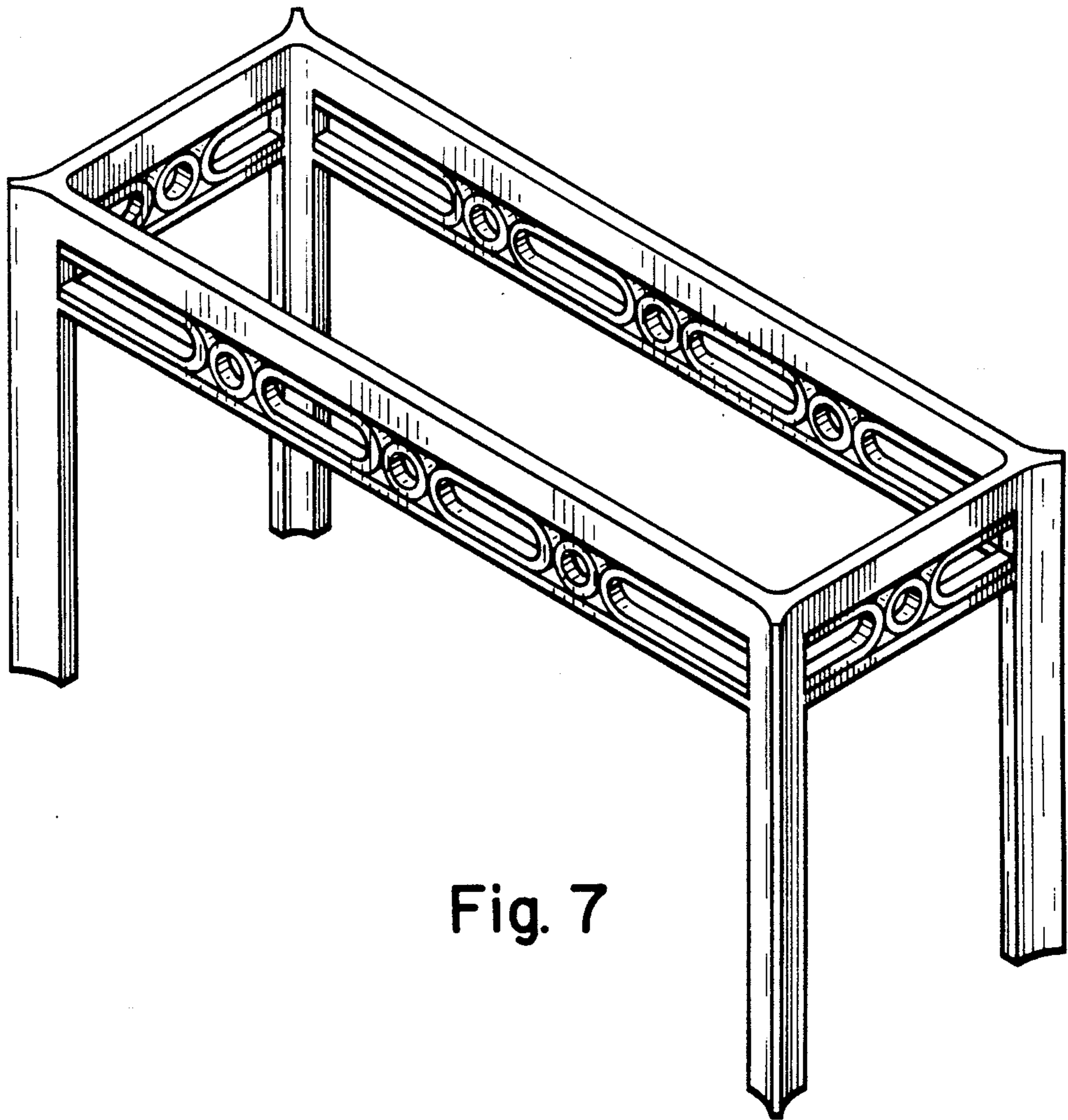


Fig. 7