

[54] **DISPLAY STAND**

[76] **Inventor: Linda H. Dixon, 1221 Andersen Dr., San Rafael, Calif. 94901**

[\*\*] **Term: 14 Years**

[21] **Appl. No.: 544,667**

[22] **Filed: Oct. 24, 1983**

[52] **U.S. Cl. .... D6/465; D6/464**

[58] **Field of Search ..... D6/449, 462, 464, 465, D6/474, 463; 211/181, 150**

[56] **References Cited**

**U.S. PATENT DOCUMENTS**

D. 139,708	12/1944	Lapin .....	D6/474 X
D. 180,617	7/1957	Patterson .....	D6/464
D. 184,743	3/1959	Kovach .....	D6/465
2,716,495	8/1955	Prevette et al. ....	211/181 X
2,982,419	5/1961	Shiels .....	211/150 X
3,203,554	8/1965	Pendergrast, Jr. et al. ....	211/181 X

3,490,598 1/1970 Federman ..... 211/181 X

**FOREIGN PATENT DOCUMENTS**

654527 6/1963 Italy ..... 211/150

*Primary Examiner*—Carmen H. Vales

*Attorney, Agent, or Firm*—Townsend and Townsend

[57] **CLAIM**

The ornamental design for a display stand, as shown and described.

**DESCRIPTION**

FIG. 1 is a perspective view of a display stand showing my new design;

FIG. 2 is a top plan view thereof;

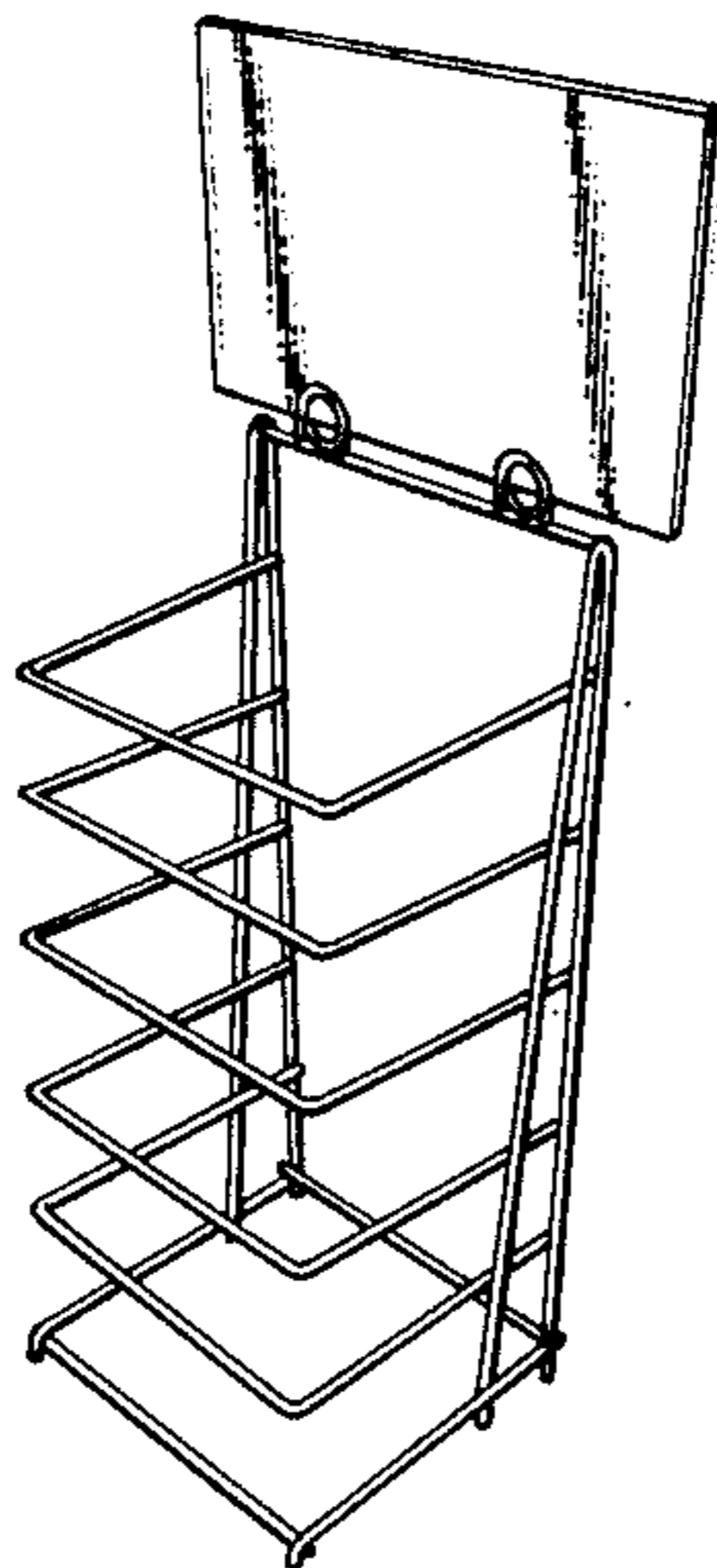
FIG. 3 is a front elevational view thereof;

FIG. 4 is a right side elevational view thereof;

FIG. 5 is a left side elevational view thereof;

FIG. 6 is a rear elevational view thereof;

FIG. 7 is a bottom plan view thereof.



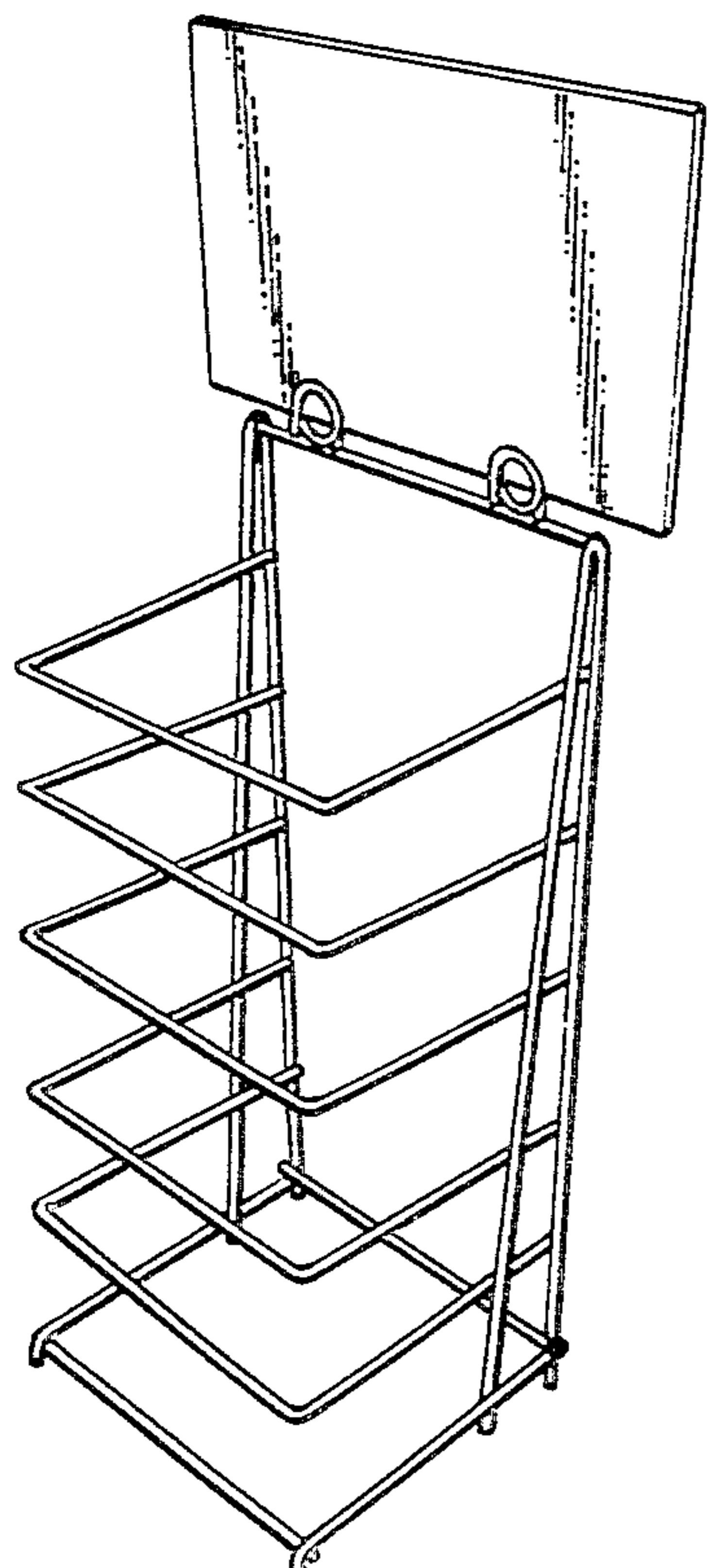


FIG. 1.

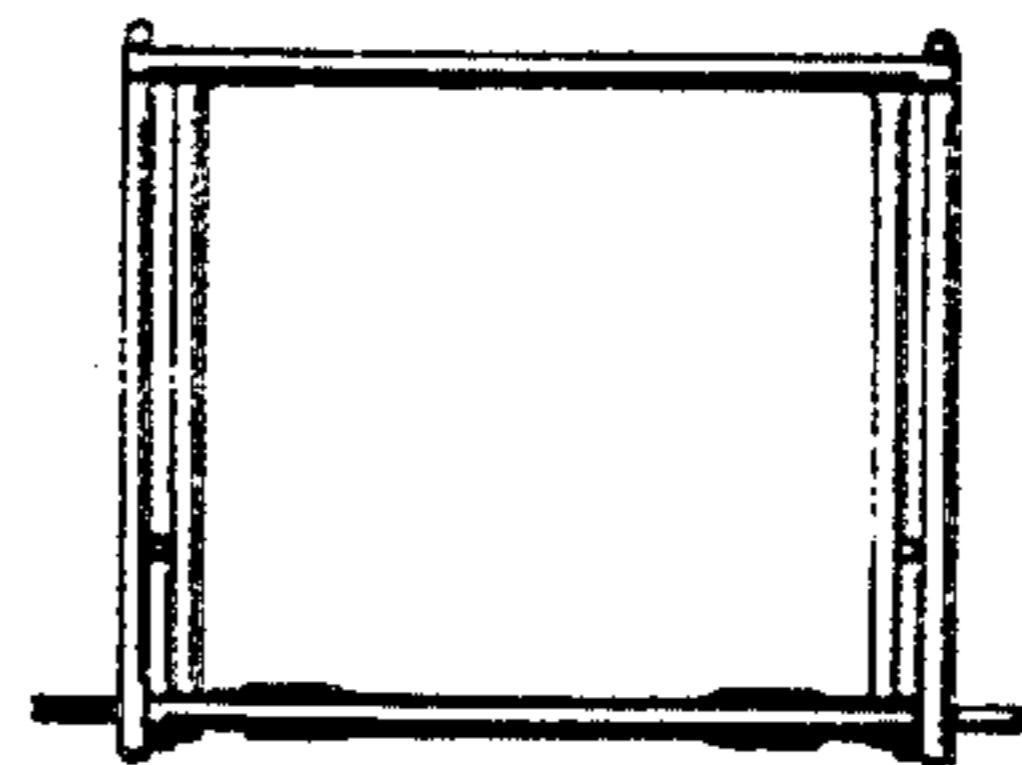


FIG. 7.

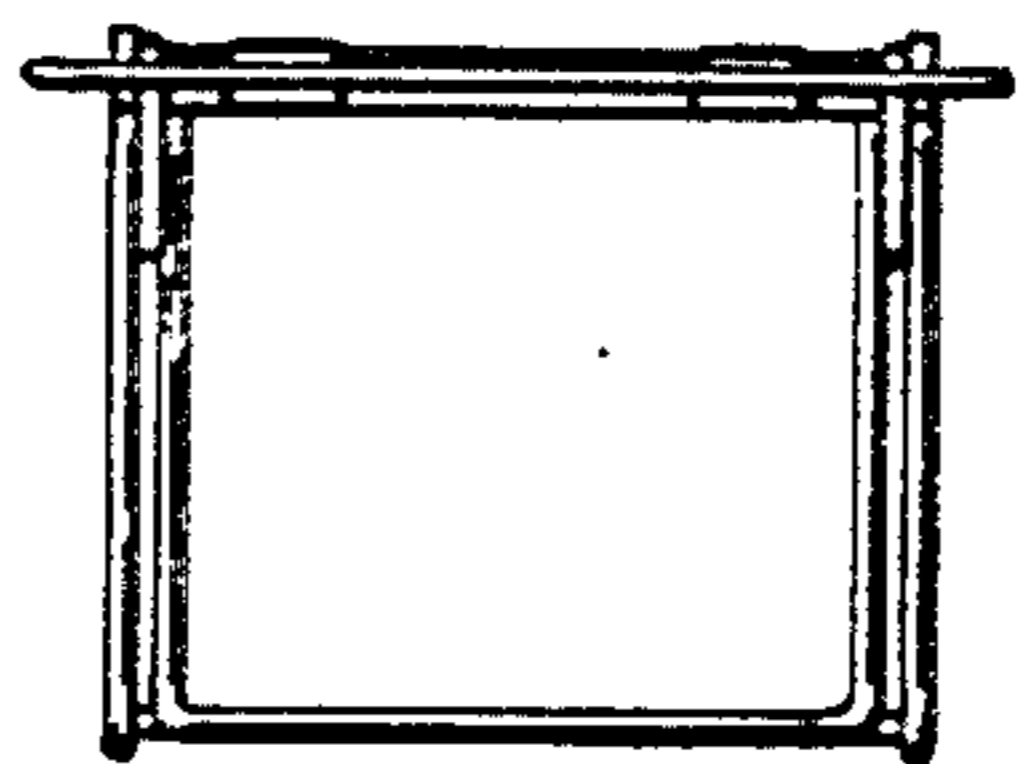


FIG. 2.

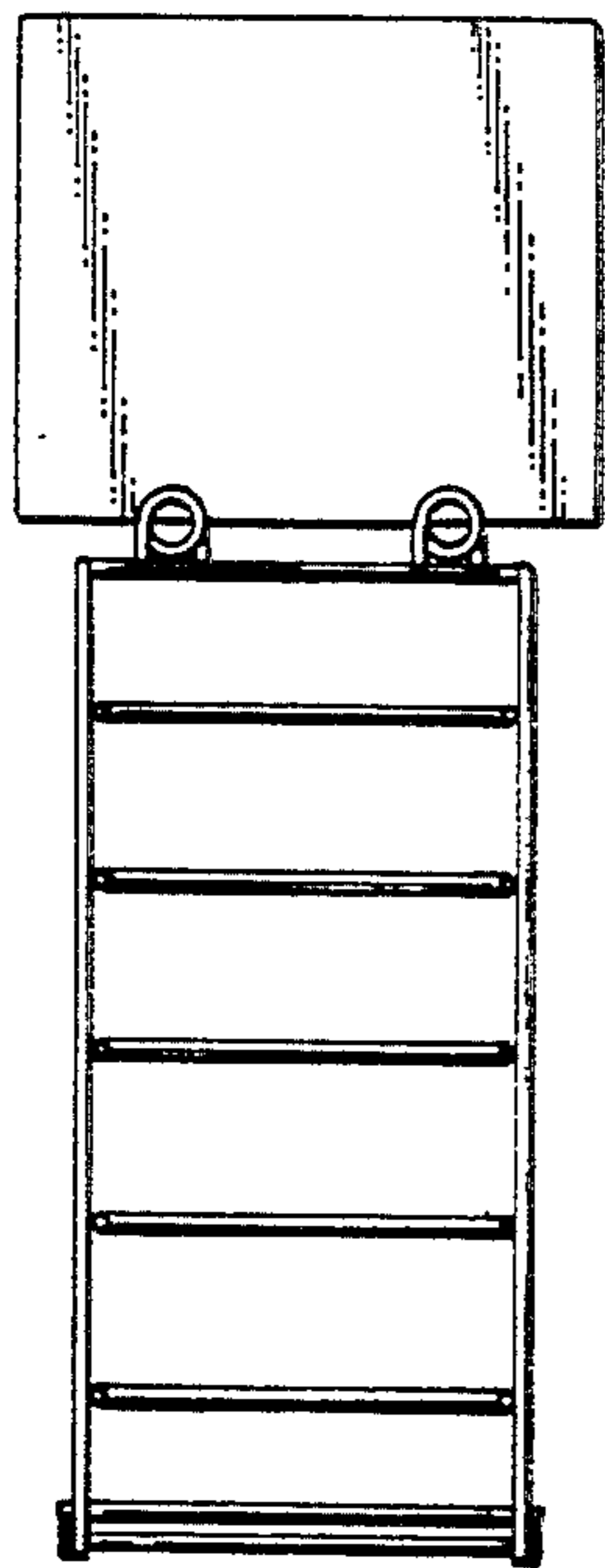


FIG. 6.

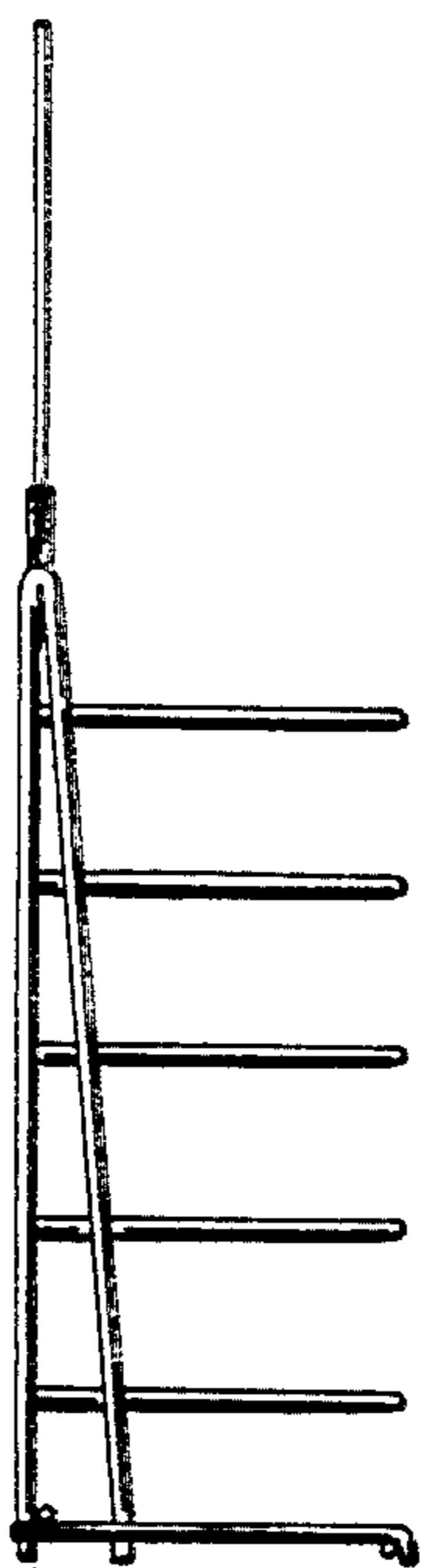


FIG. 5.

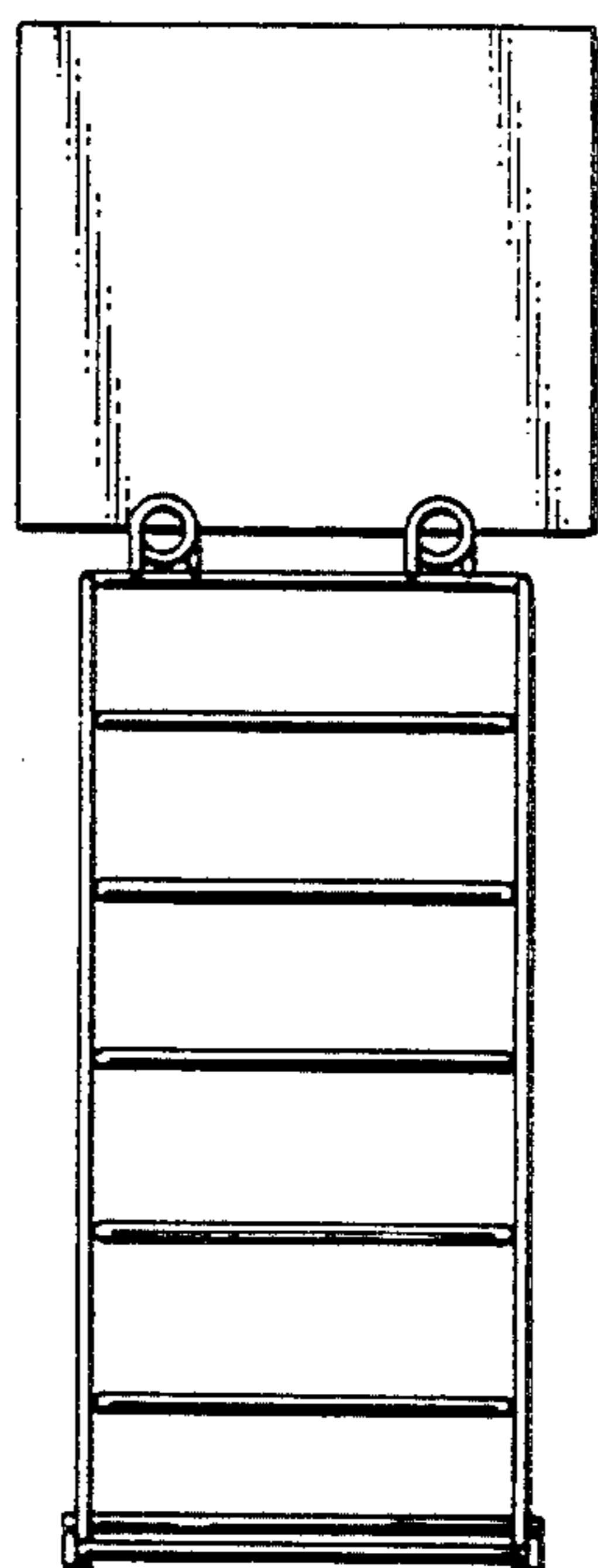


FIG. 3.

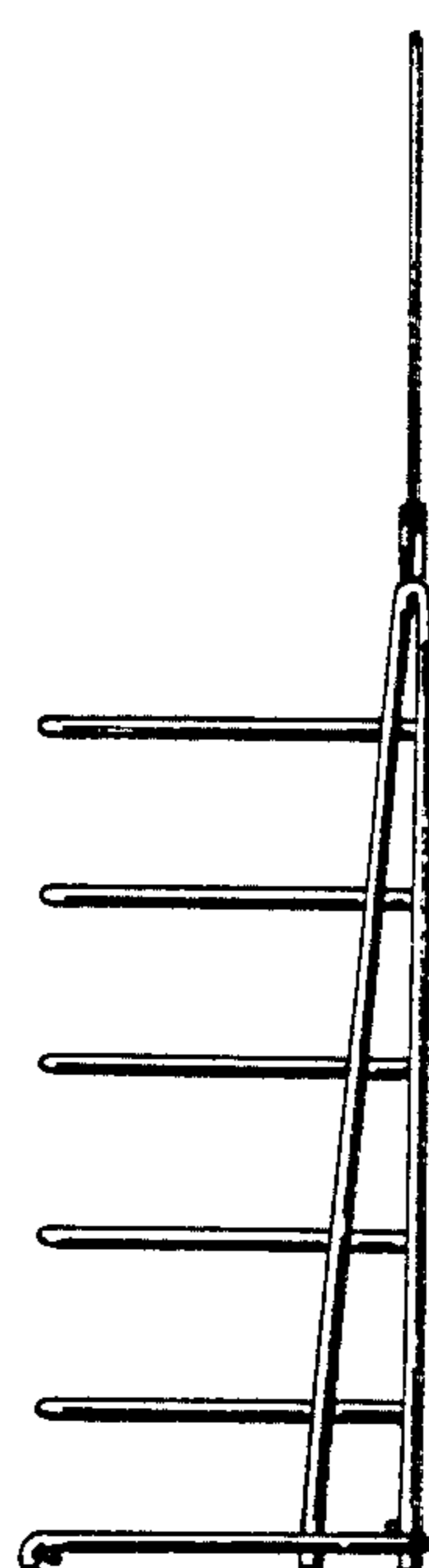


FIG. 4.