

[54] SUPPORT STAND FOR MOPS, TOWELS OR SIMILAR ARTICLE

D. 259,077 5/1981 Lane D6/407
D. 263,653 4/1982 Viets D6/411

[76] Inventor: Helen Zombeck, R.D. 1, Box 262-F, Lambertville, N.J. 08530

Primary Examiner—Bruce W. Dunkins
Attorney, Agent, or Firm—Kenneth P. Glynn

[**] Term: 14 Years

[57] CLAIM

[21] Appl. No.: 520,588

The ornamental design for a support stand for mops, towels or similar article, as shown.

[22] Filed: Aug. 5, 1983

DESCRIPTION

[52] U.S. Cl. D6/411

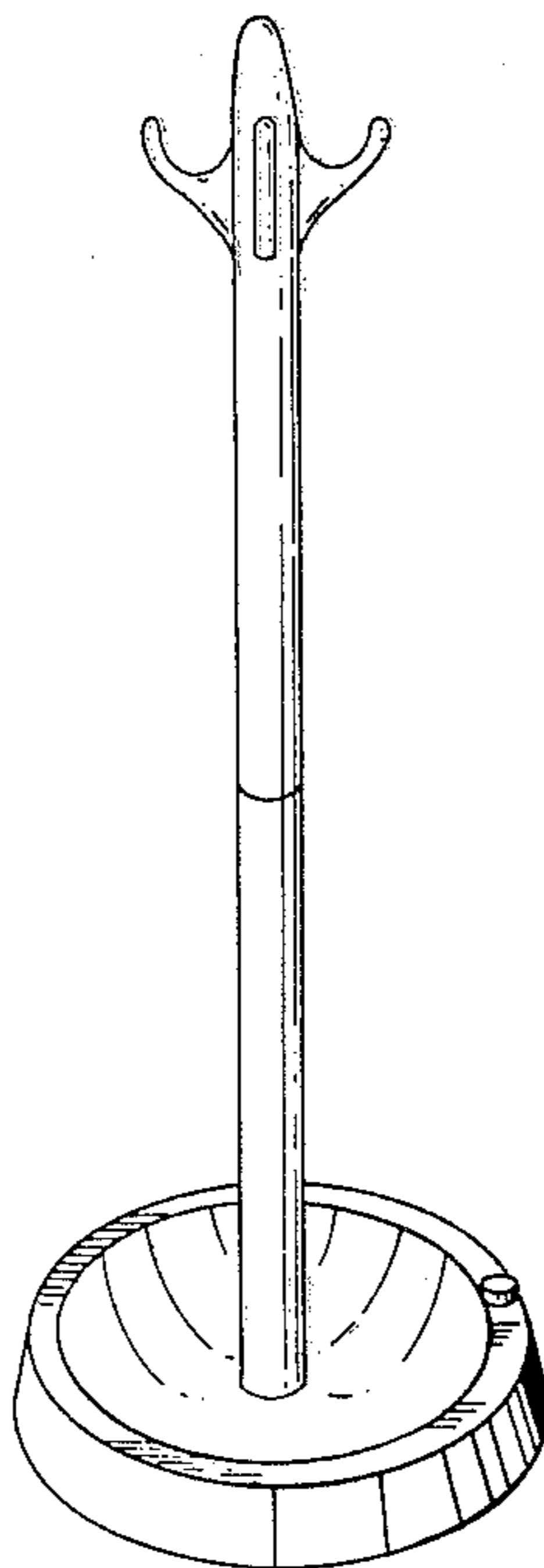
[58] Field of Search D6/407, 408, 411, 413, D6/415, 416, 417; 211/13, 126, 181; 248/530

FIG. 1 is a perspective view of a support stand for mops, towels or similar article showing my new design; FIG. 2 is a front elevational view thereof; FIG. 3 is a left side elevational view; FIG. 4 is a right side elevational view; FIG. 5 is a rear elevational view; FIG. 6 is a top plan view thereof; and, FIG. 7 is a bottom plan view thereof.

[56] References Cited

U.S. PATENT DOCUMENTS

D. 87,446 7/1932 Schield D6/411
D. 180,029 4/1957 Mason et al. D6/408



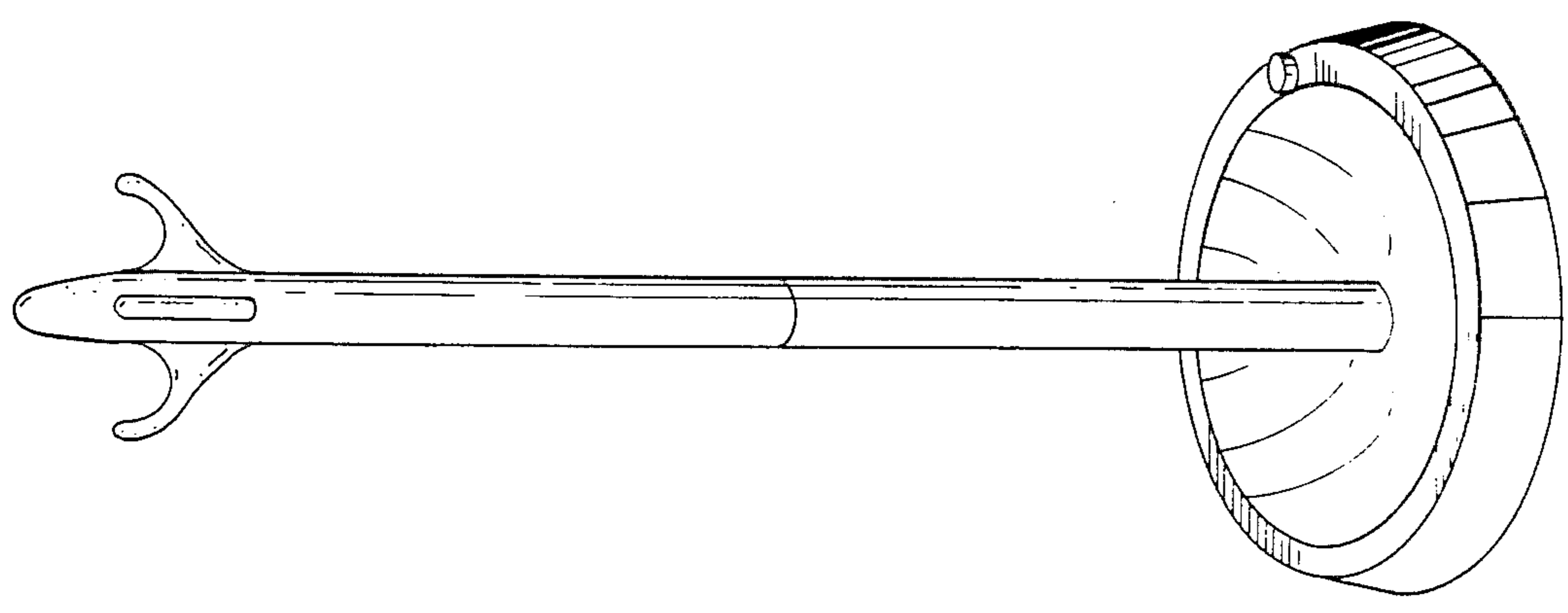


FIG. 1

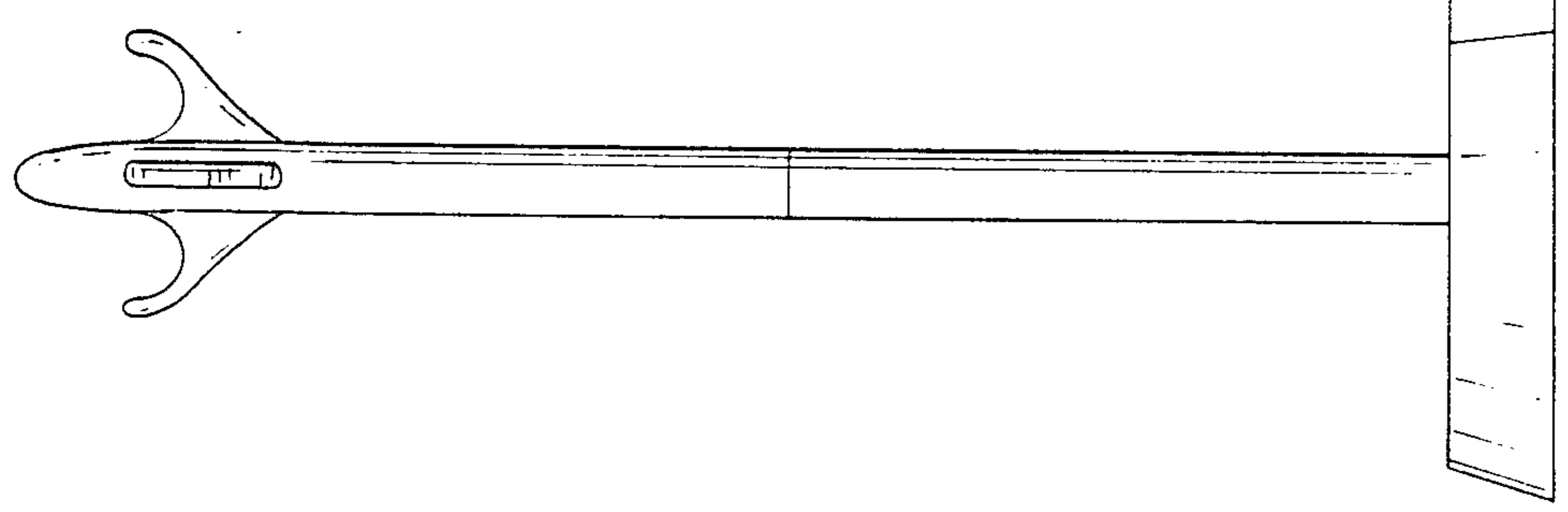


FIG. 2

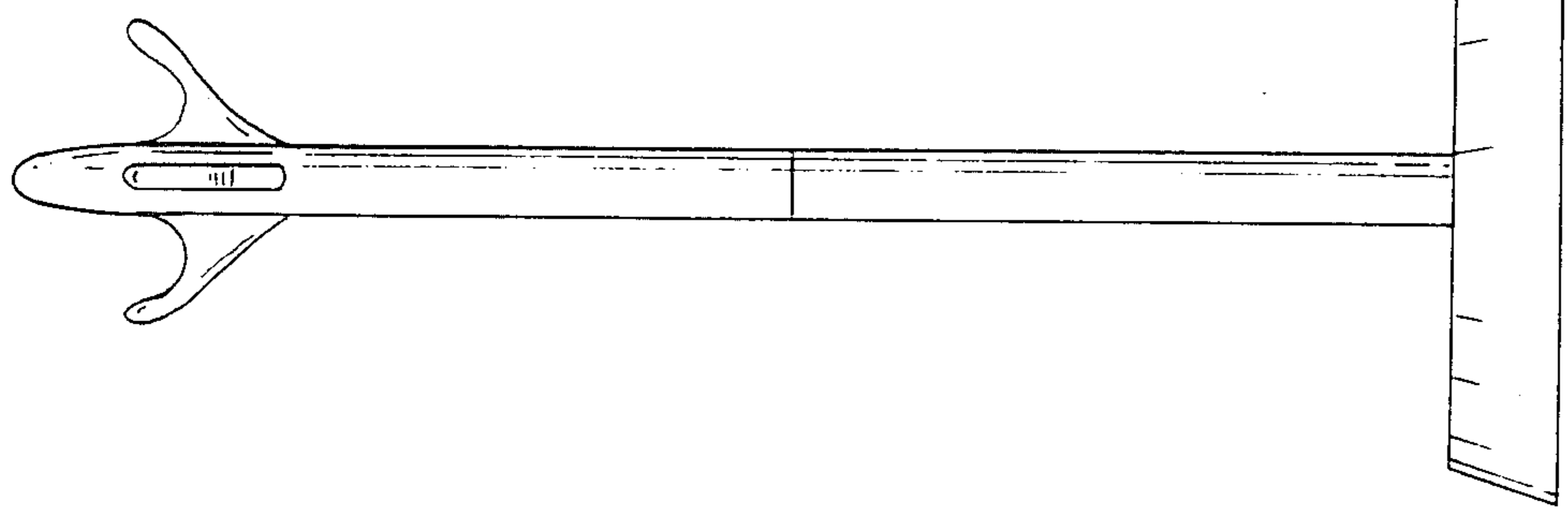


FIG. 3

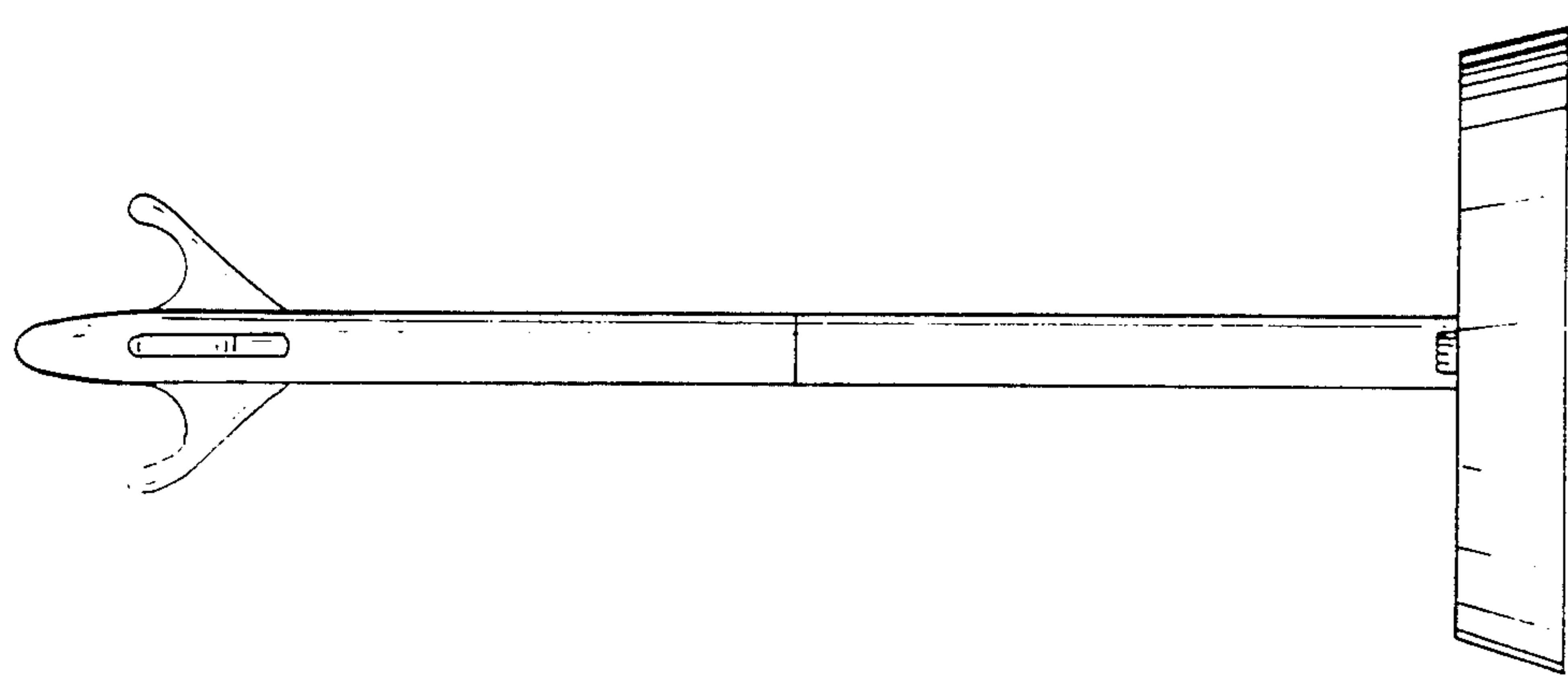


FIG. 4

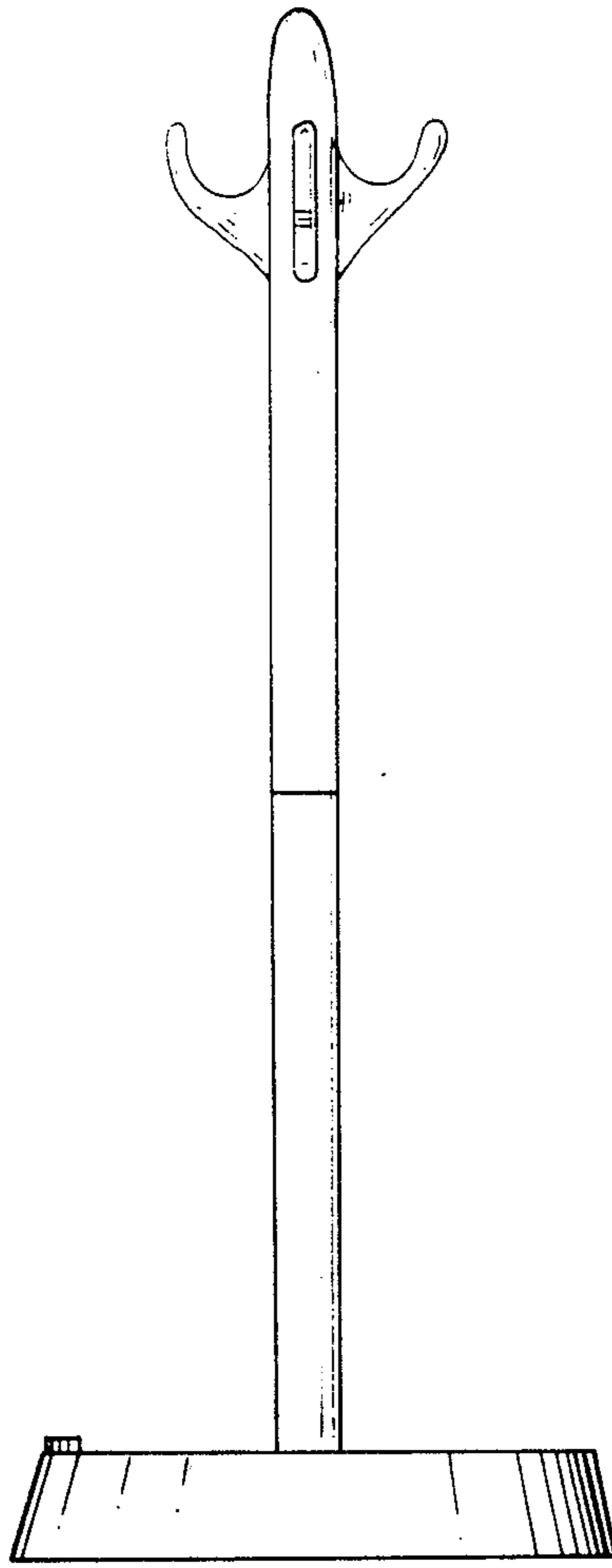


FIG. 5

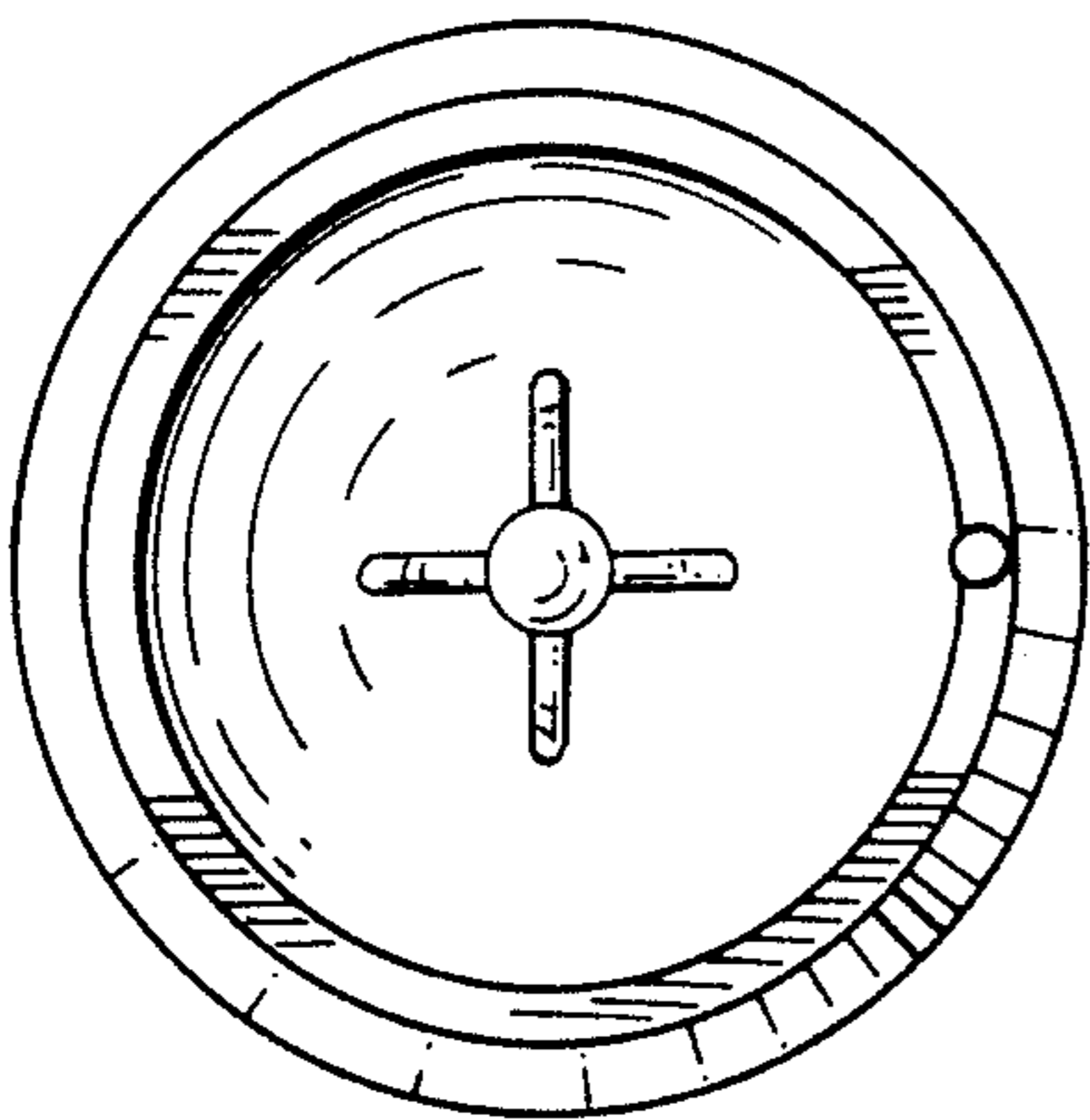


FIG. 6

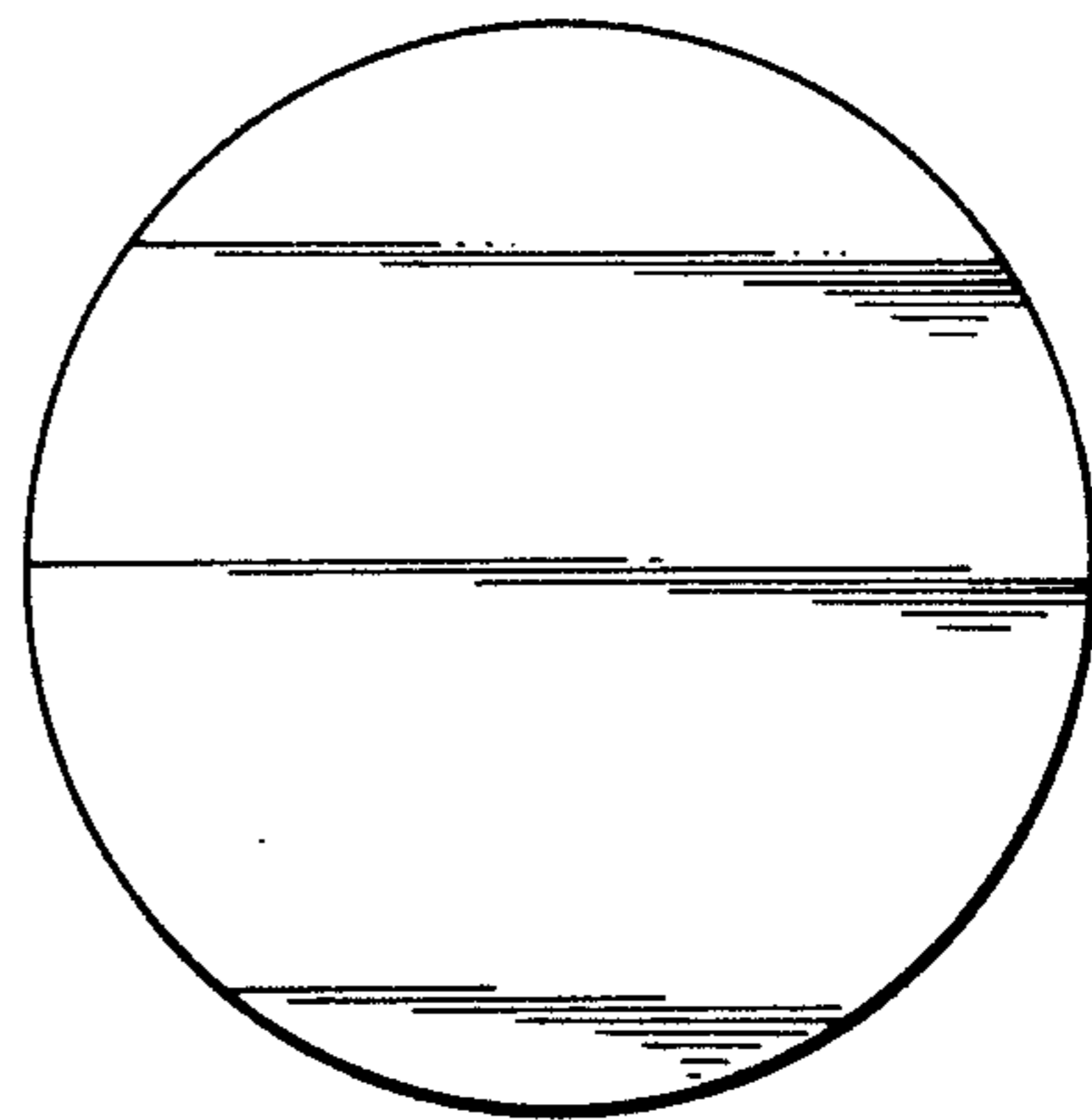


FIG. 7