

[54] INFANT SEAT

[75] Inventors: William Lockett, III, 9902 W. Layton Ave., Littleton, Colo. 80123; Edward D. Oliver, Manchester, N.H.

[73] Assignee: William Lockett, III, Littleton, Colo.

[**] Term: 14 Years

[21] Appl. No.: 521,744

[22] Filed: Aug. 10, 1983

[52] U.S. Cl. D6/333

[58] Field of Search D6/333, 367, 368, 371, D6/372, 373, 374, 375; D12/131; 297/273, 274, 275, 276, 277

[56] References Cited

U.S. PATENT DOCUMENTS

- D. 238,458 1/1976 Cavallero D6/375 X
- D. 247,232 2/1978 Gunnell D12/131

- D. 266,634 10/1982 Knoedler et al. D6/333
- D. 273,727 5/1984 Nakao et al. D6/333
- 2,848,040 8/1958 Chernivsky 155/189
- 3,110,519 11/1963 Chernivsky .
- 3,235,306 2/1966 Chernivsky .

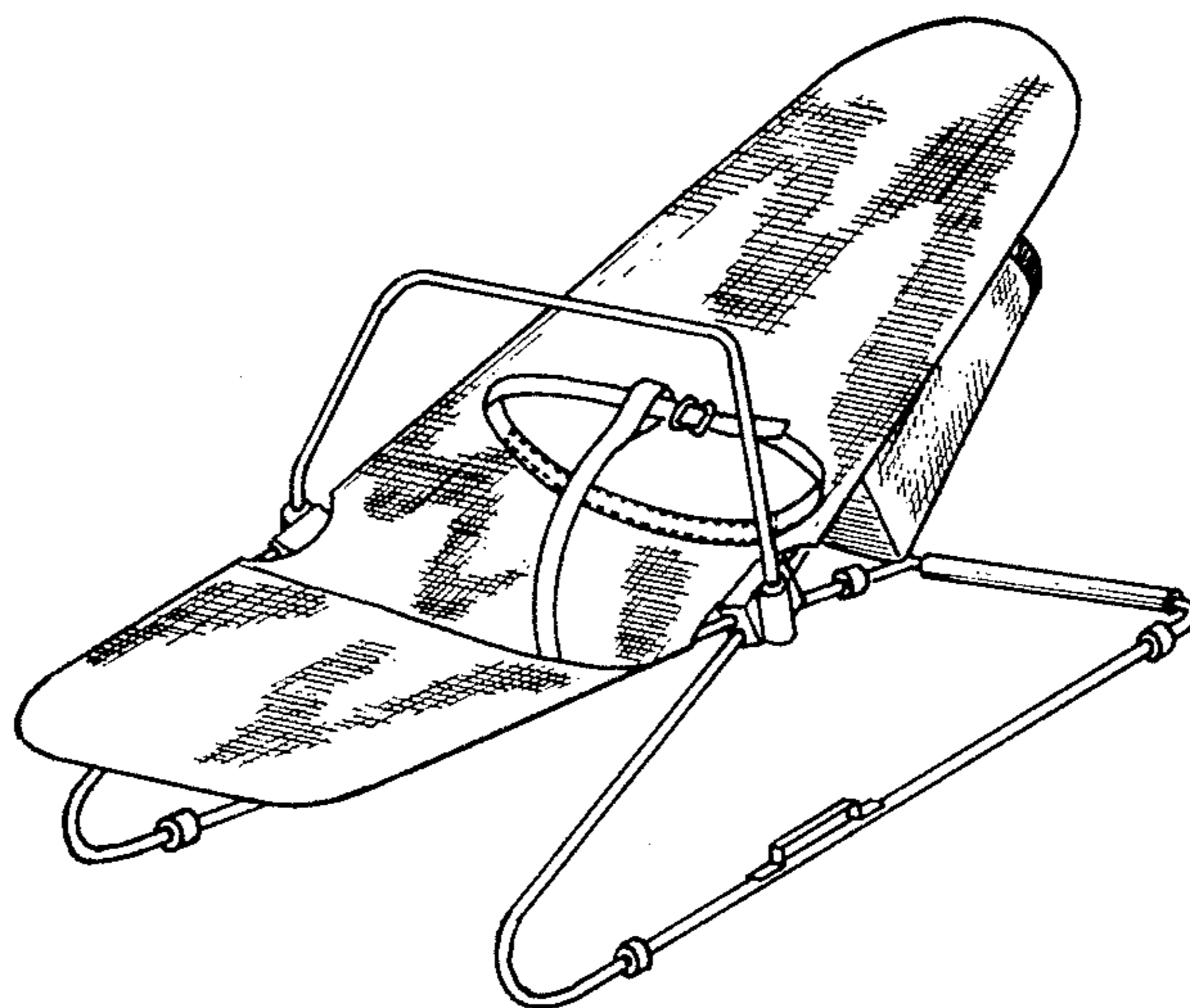
Primary Examiner—Bruce W. Dunkins
Attorney, Agent, or Firm—John E. Reilly

[57] CLAIM

The ornamental design for an infant seat, as shown and described.

DESCRIPTION

FIG. 1 is a perspective view of an infant seat showing our new design;
 FIG. 2 is a top plan view thereof;
 FIG. 3 is one side view thereof;
 FIG. 4 is an opposite side view thereof;
 FIG. 5 is a front view thereof;
 FIG. 6 is a rear view thereof; and
 FIG. 7 is a bottom view thereof.



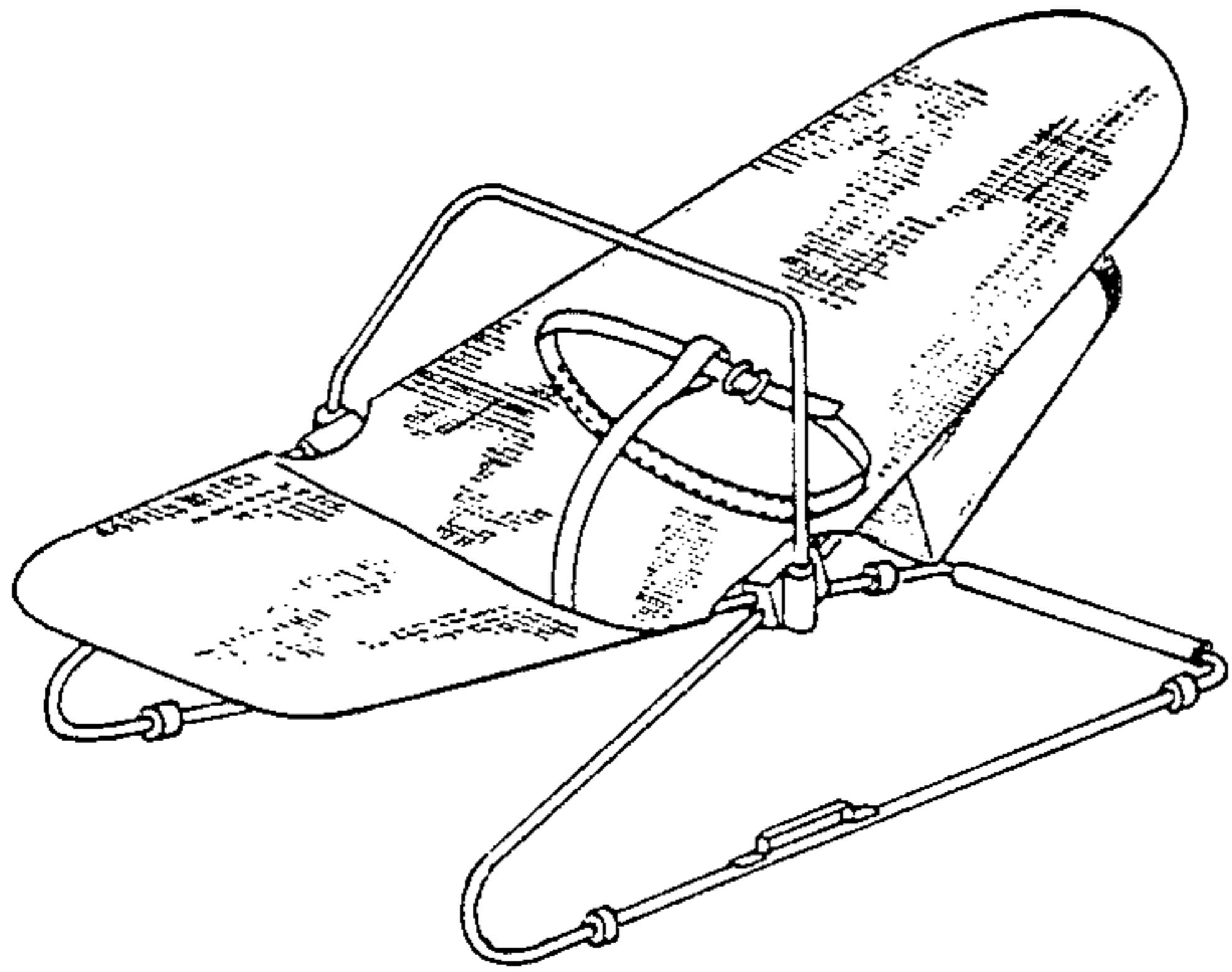


FIG 1

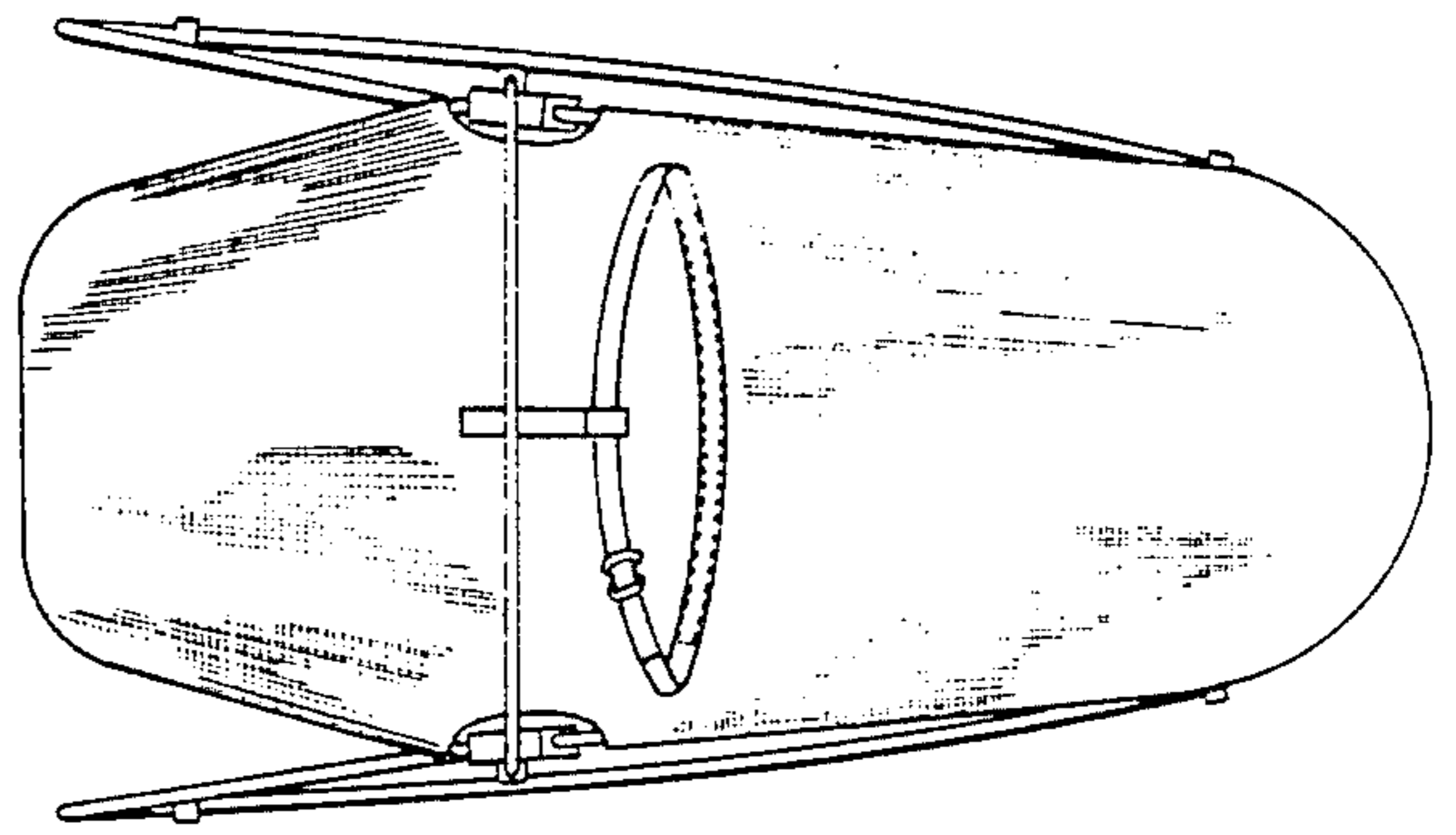


FIG 2

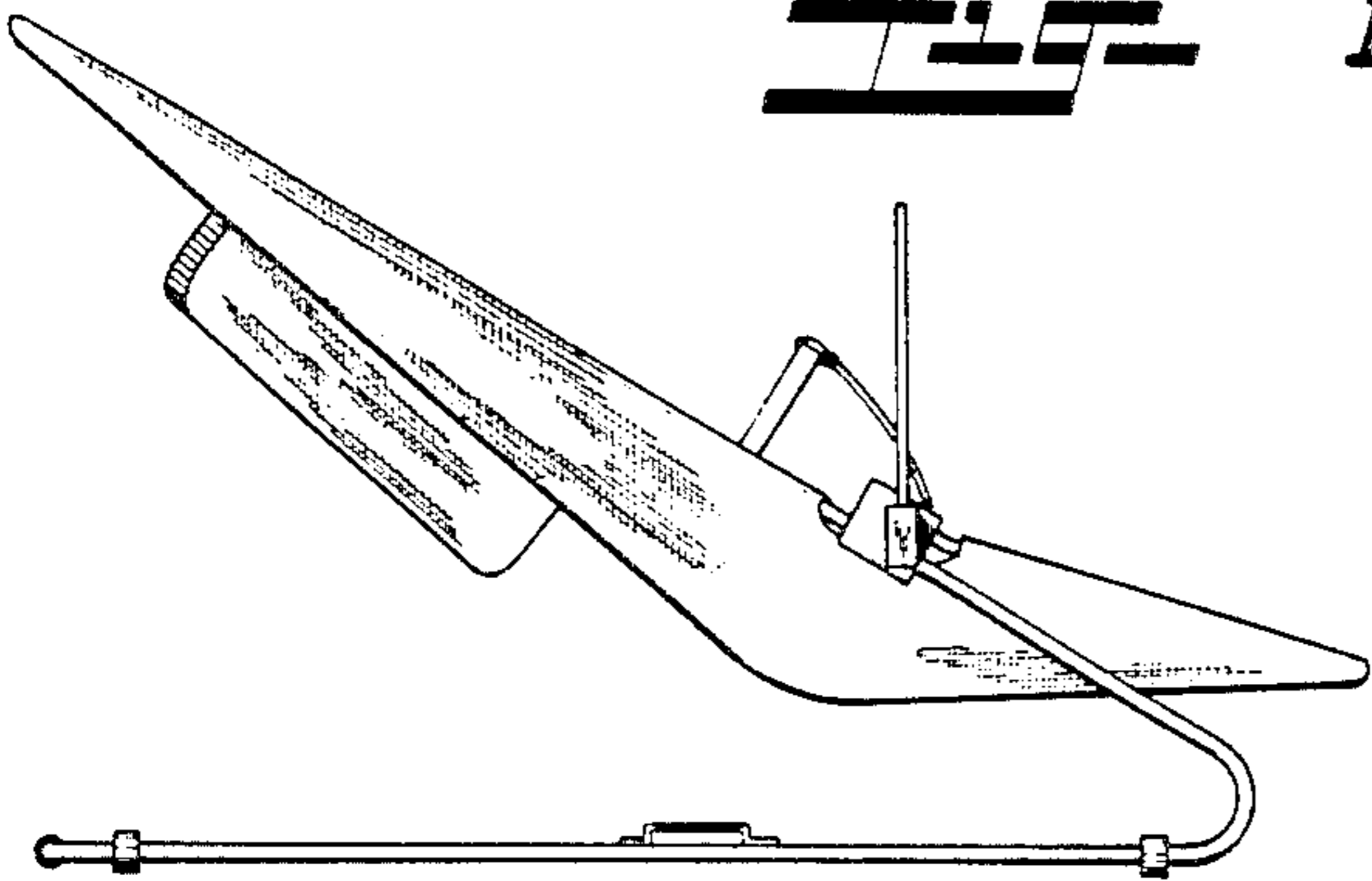


FIG 3

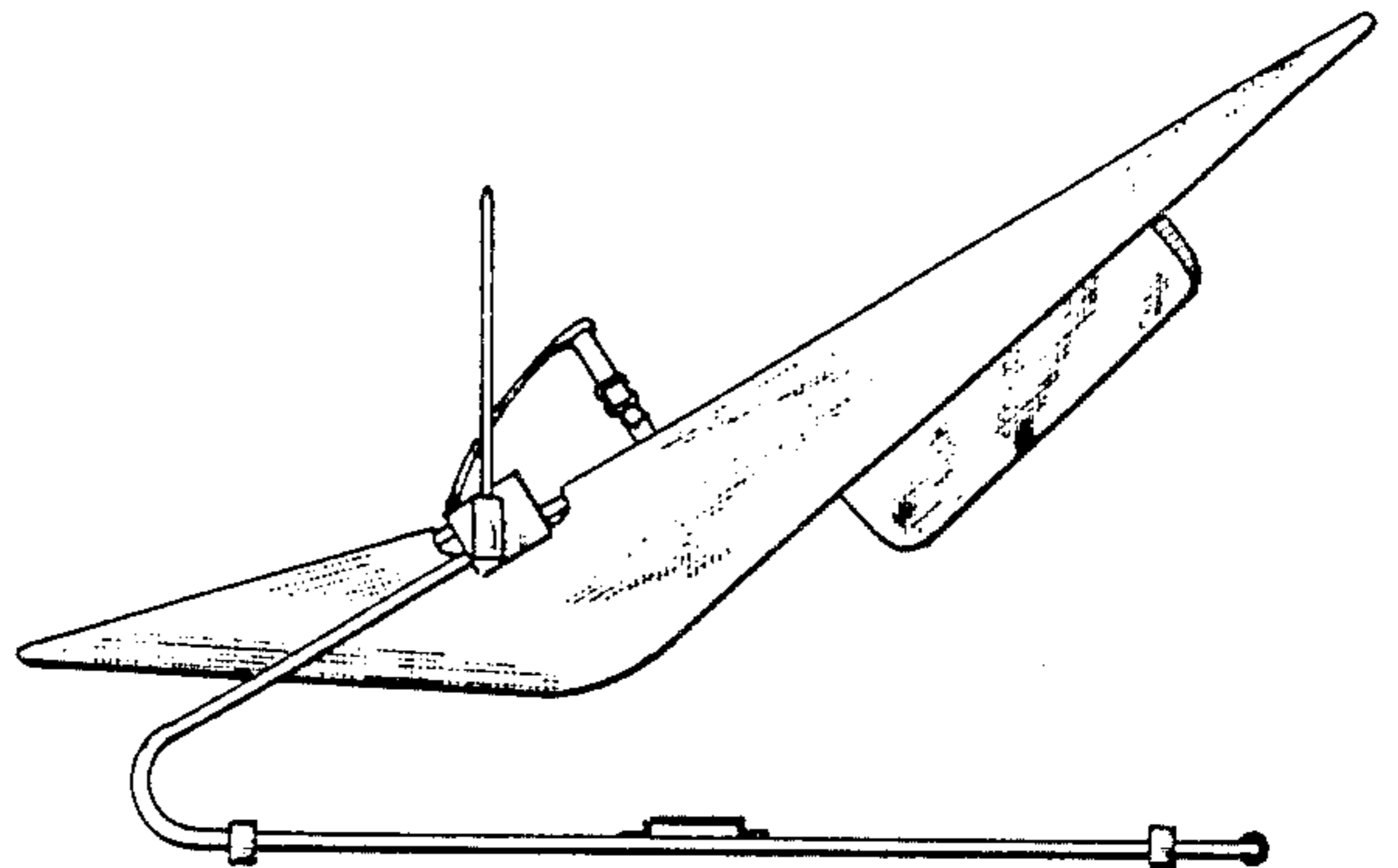


FIG 4

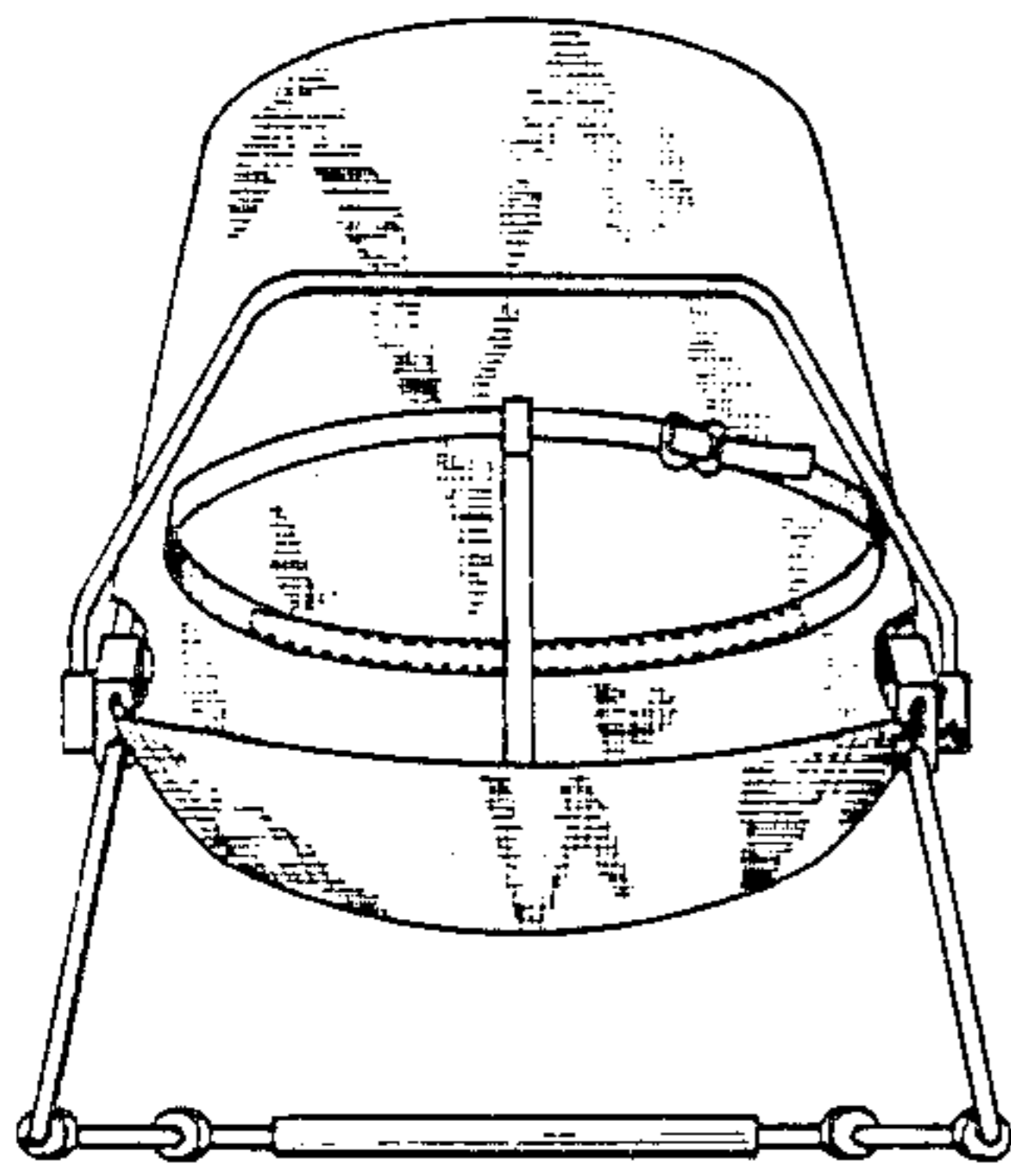


FIG 5

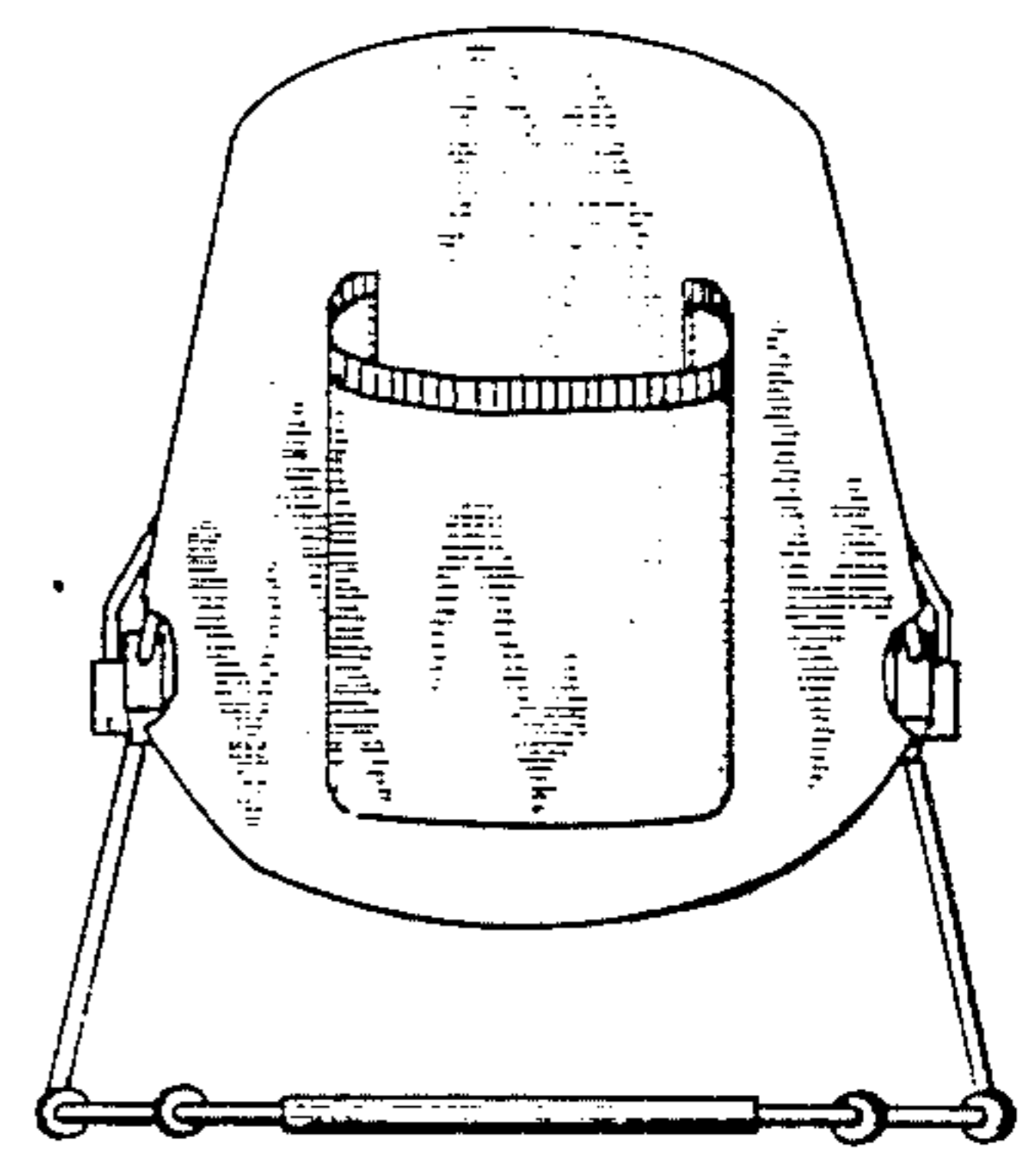


FIG 6

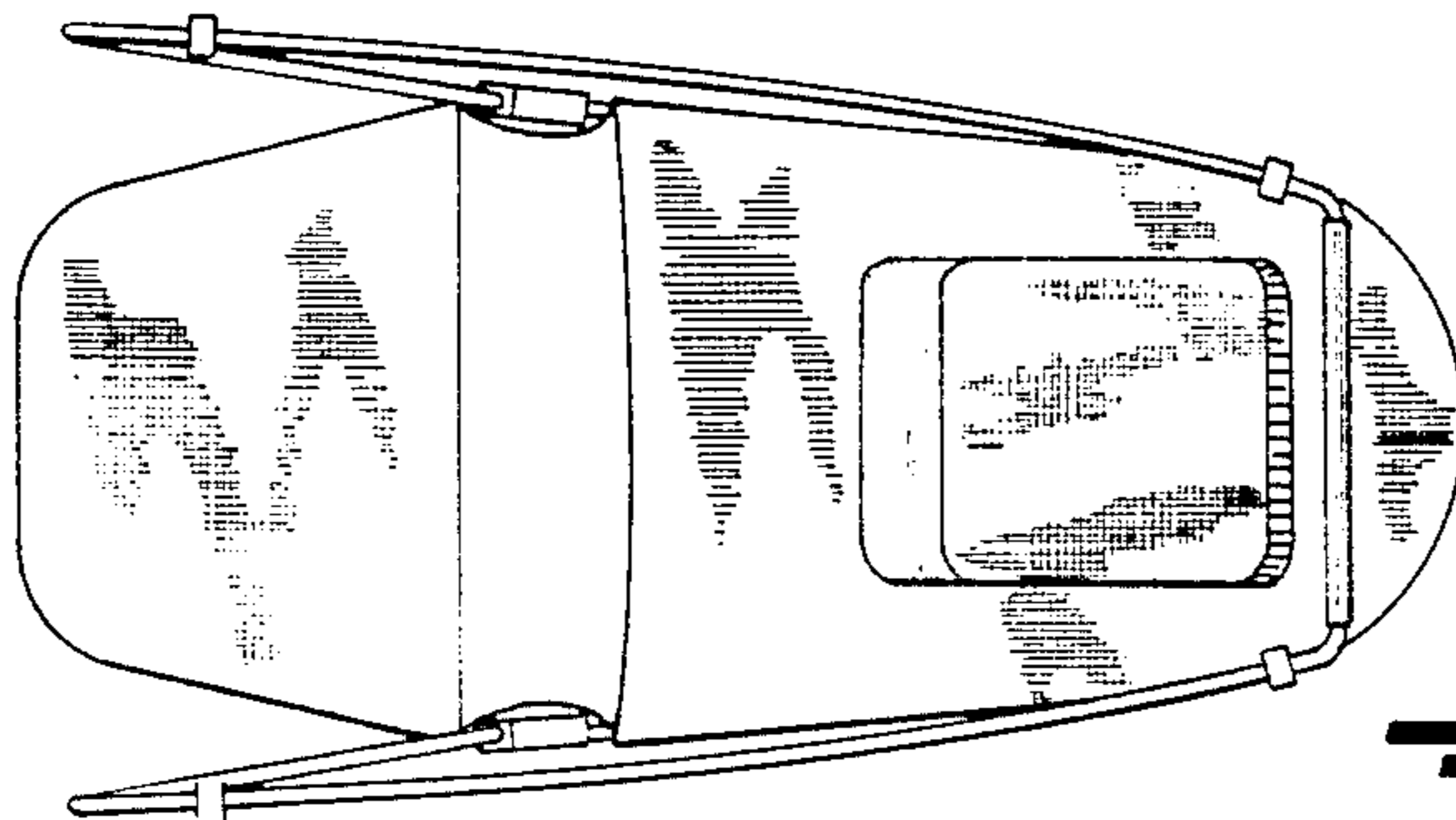


FIG 7