

[54] MERCHANDISE HANGER

[76] Inventor: Janusz Morawski, P.O. Box 562,
Postal Station P, Toronto, Canada,
M5S 2R1

[**] Term: 14 Years

[21] Appl. No.: 533,930

[22] Filed: Sep. 19, 1983

[52] U.S. Cl. D6/327

[58] Field of Search D6/315-319,
D6/326-328, 513; D9/434, 457; 206/491, 806;
211/113; 223/85, 87, 88, 91, 92, 93, 95, 96

[56] References Cited

U.S. PATENT DOCUMENTS

D. 193,256	7/1962	Silver	D6/315
D. 235,316	6/1975	Wells	D9/457
D. 239,608	4/1976	Wells	D9/457

D. 270,129	8/1983	Morawski	D6/327
3,841,478	10/1974	Wells et al.	206/806

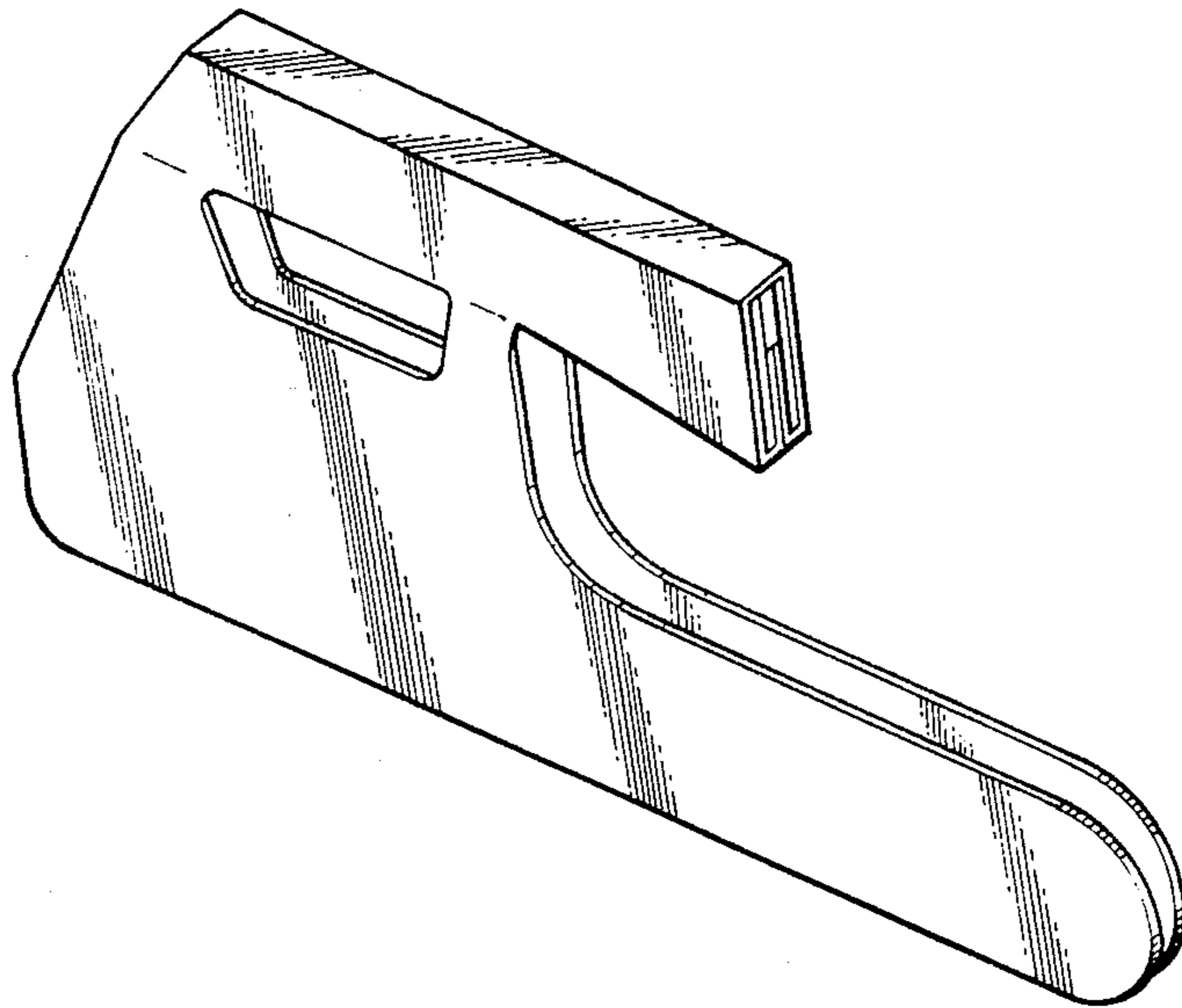
Primary Examiner—B. J. Bullock
Attorney, Agent, or Firm—George A. Rolston

[57] CLAIM

The ornamental design for a merchandise hanger, as shown and described.

DESCRIPTION

FIG. 1 is a perspective view of the merchandise hanger, showing my new design;
FIG. 2 is a side elevational view;
FIG. 3 is a top plan view;
FIG. 4 is a bottom plan view;
FIG. 5 is an end elevational view taken from the right of FIG. 1;
FIG. 6 is an end elevational view taken from the left of FIG. 1.



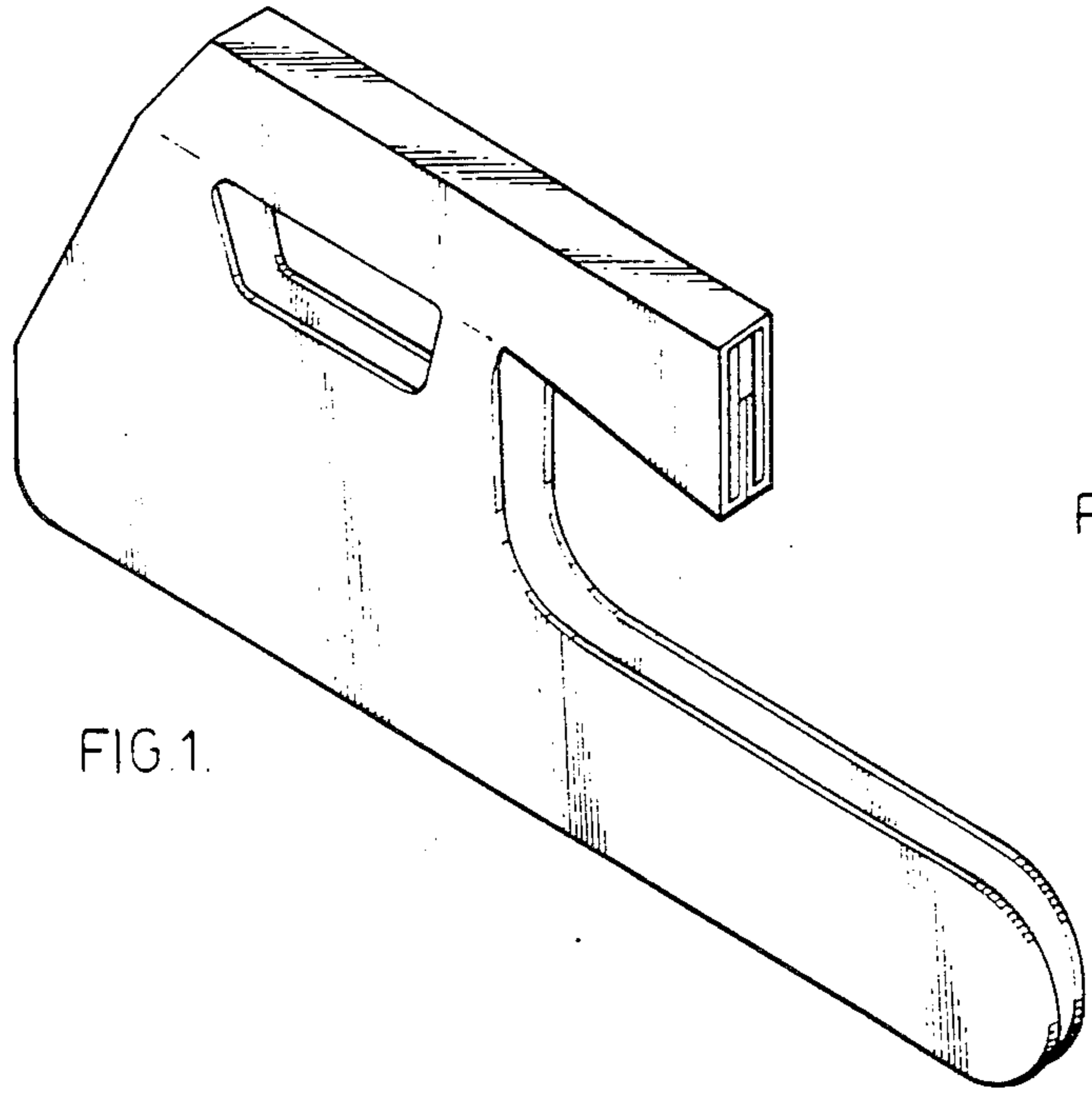


FIG. 1.

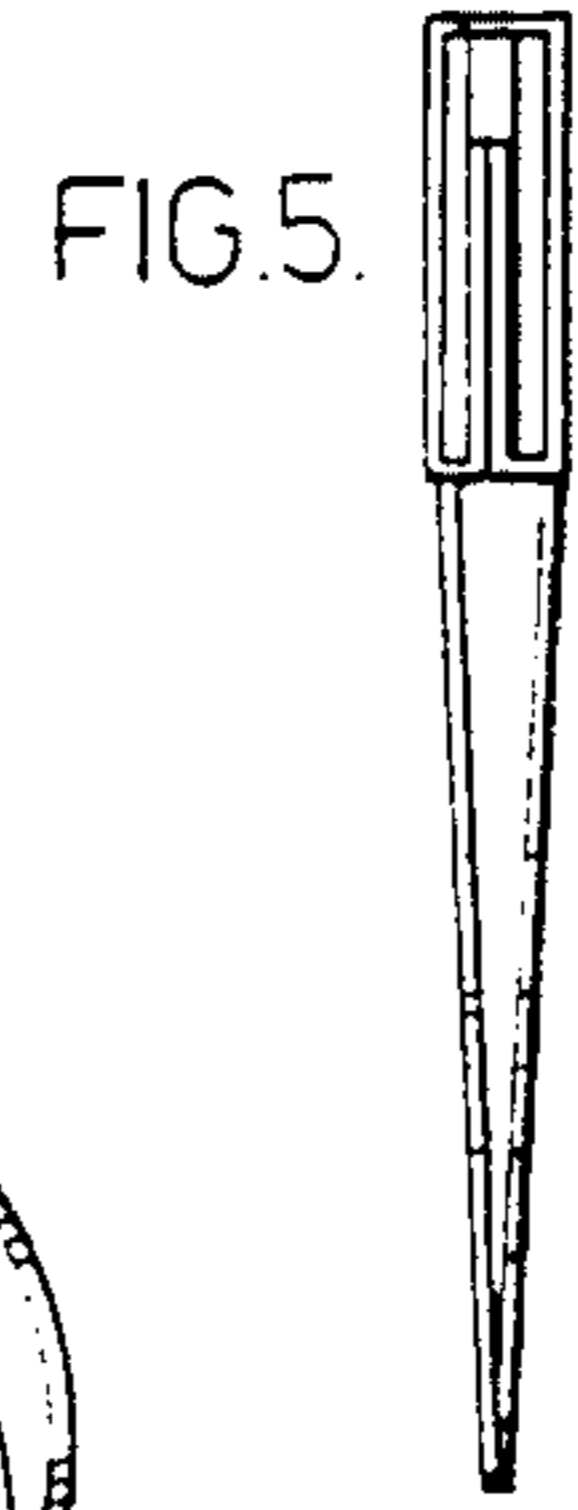


FIG. 5.

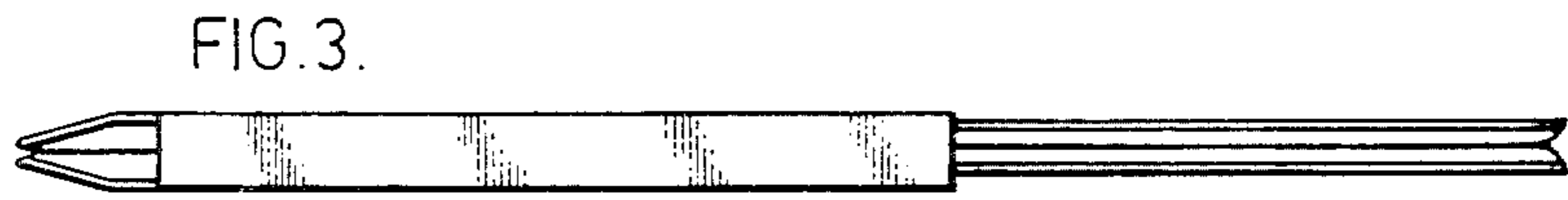


FIG. 3.

FIG. 6.

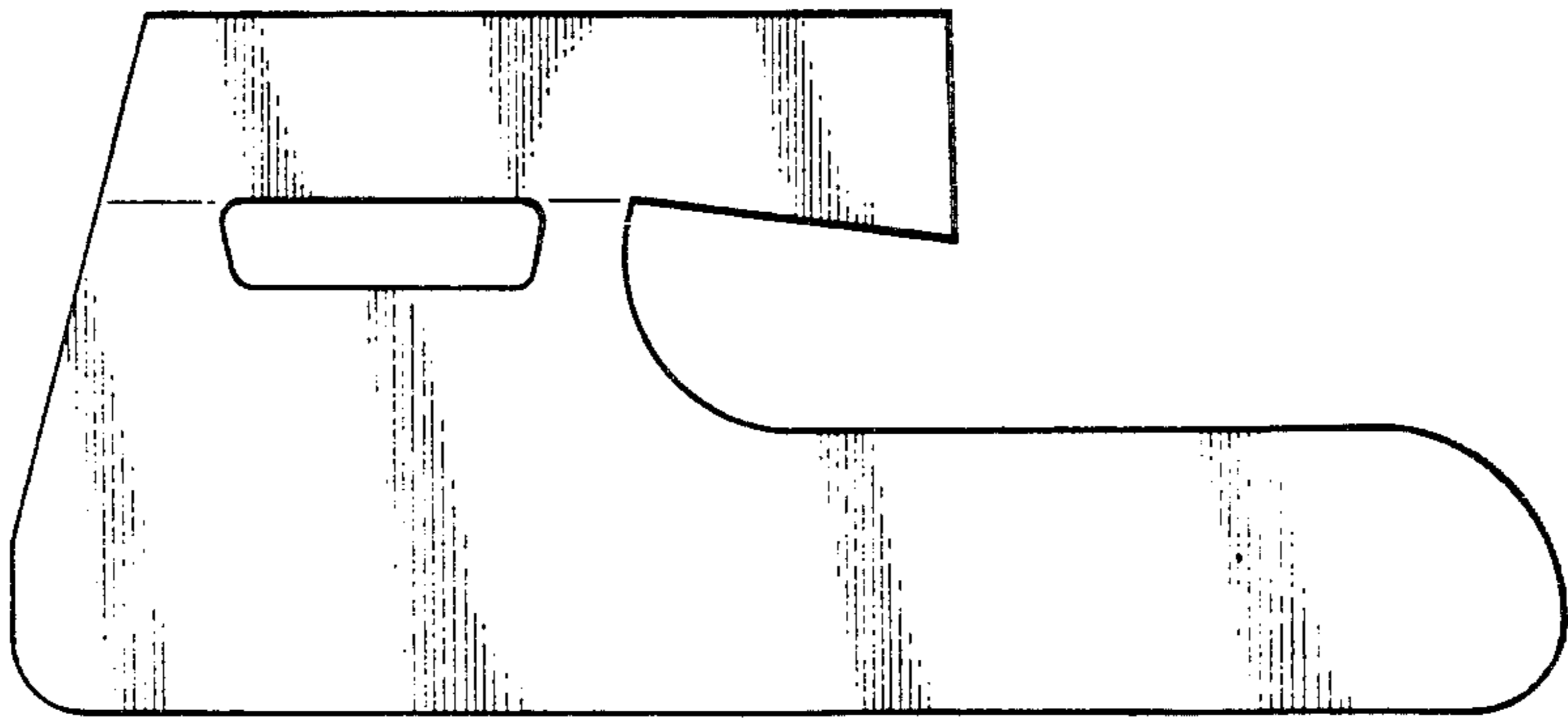


FIG. 2.

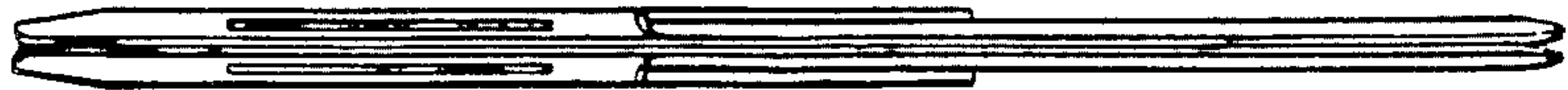


FIG. 4.