

- [54] COMBINED CART AND BOWLING BALL BAG
- [76] Inventor: Henry L. Nichols, 301 E. Wildwood Ave., Fort Wayne, Ind. 46806
- [**] Term: 14 Years
- [21] Appl. No.: 530,413
- [22] Filed: Sep. 8, 1983
- [52] U.S. Cl. D34/25
- [58] Field of Search 280/47.24, 47.26, 652, 280/47.27, 47.23, 47.12; D34/12, 13, 23, 24, 25, 26; D3/36, 71; 206/315.9

[56]

References Cited

U.S. PATENT DOCUMENTS

- D. 249,492 9/1978 Morley D34/25
- D. 249,662 9/1978 Morley D34/25
- 3,558,157 1/1971 Neumann 280/652
- 3,612,563 10/1971 Kazmark, Sr. 280/79.1
- 4,037,858 7/1977 Adams 280/652
- 4,095,636 6/1978 Urion 206/315.9

FOREIGN PATENT DOCUMENTS

- 965360 9/1950 France 280/652
- 1097015 12/1967 United Kingdom 296/47.26

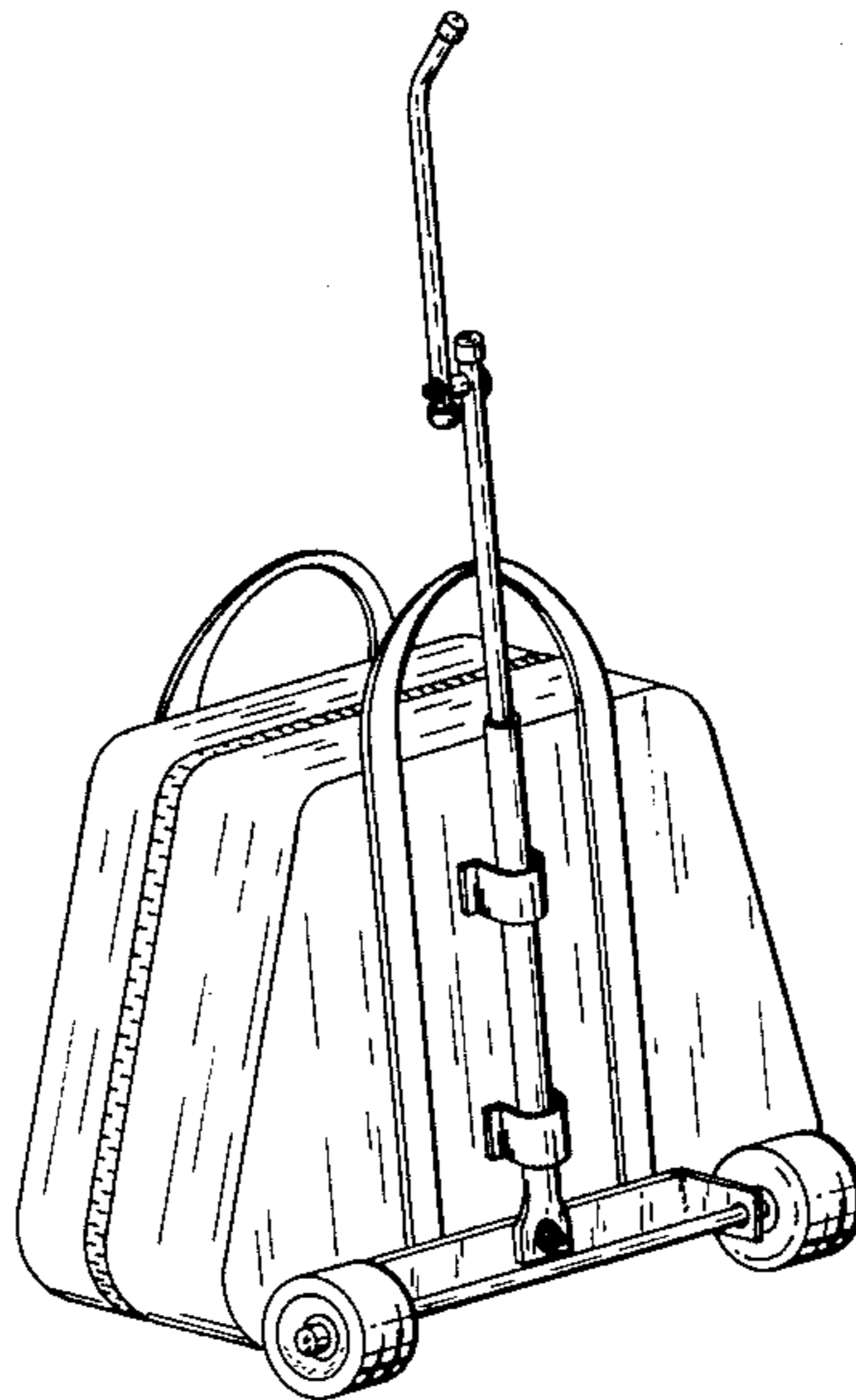
Primary Examiner—James M. Gandy
Attorney, Agent, or Firm—Jeffers, Irish & Hoffman

[57] CLAIM

The ornamental design for a combined cart and bowling ball bag, as shown.

DESCRIPTION

FIG. 1 is a rear perspective view of the combined cart and bowling ball bag showing my new design;
 FIG. 2 is a rear elevational view thereof;
 FIG. 3 is a front elevational view thereof;
 FIG. 4 is a side elevational view thereof viewed from the left side of FIG. 3;
 FIG. 5 is a side elevational view thereof viewed from the right side of FIG. 3;
 FIG. 6 is a top view thereof; and
 FIG. 7 is a bottom view thereof.



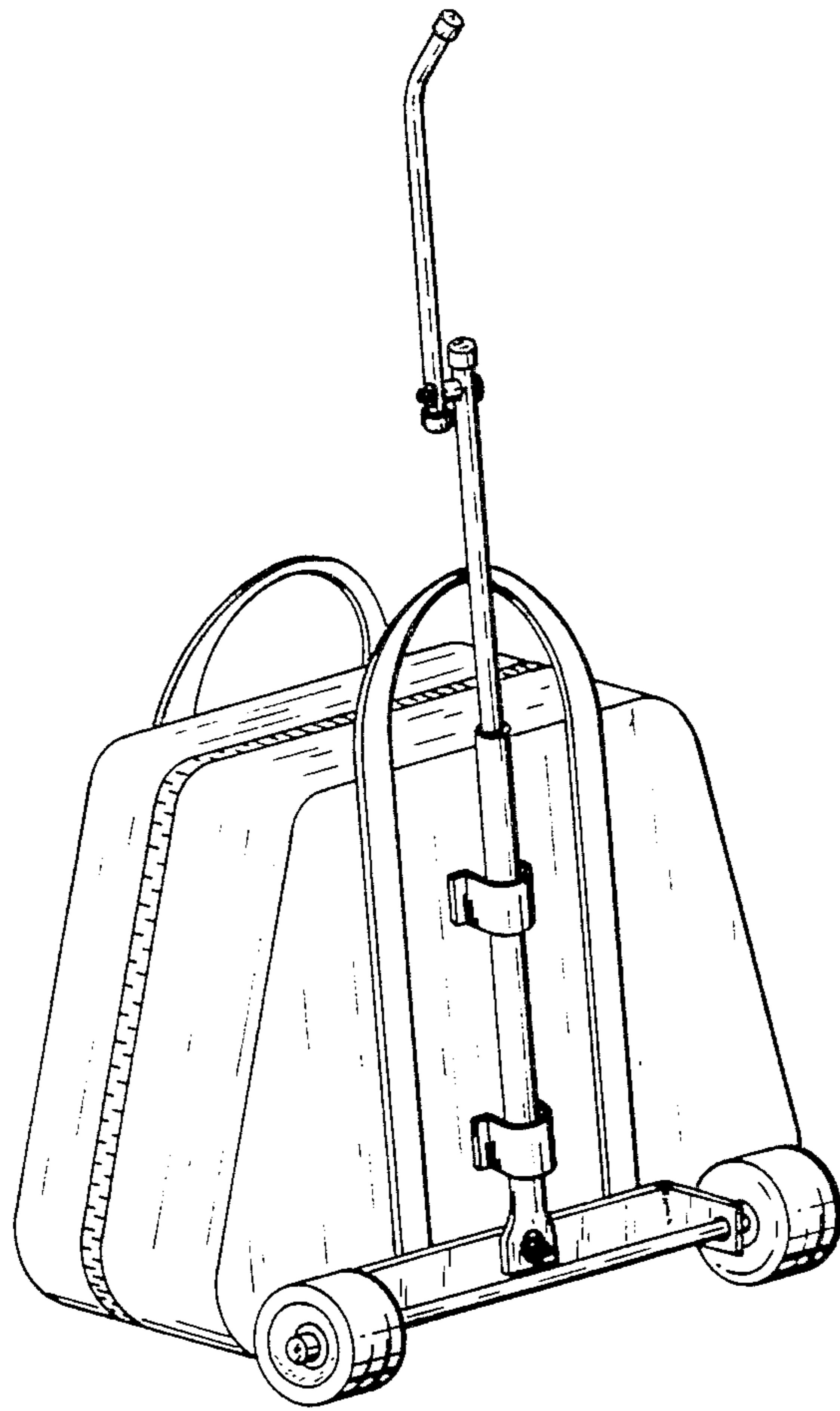


FIG. 1

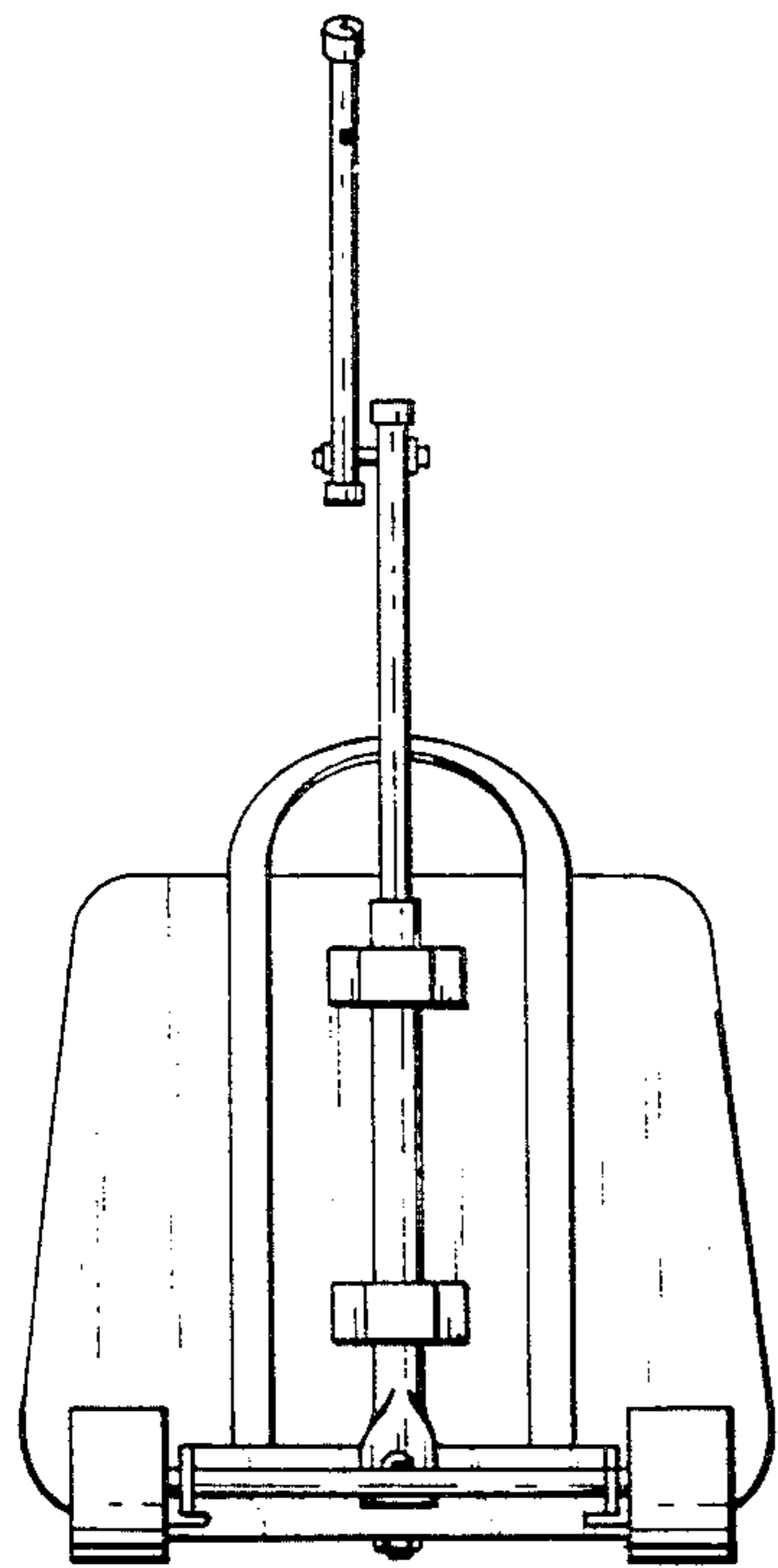


FIG. 2

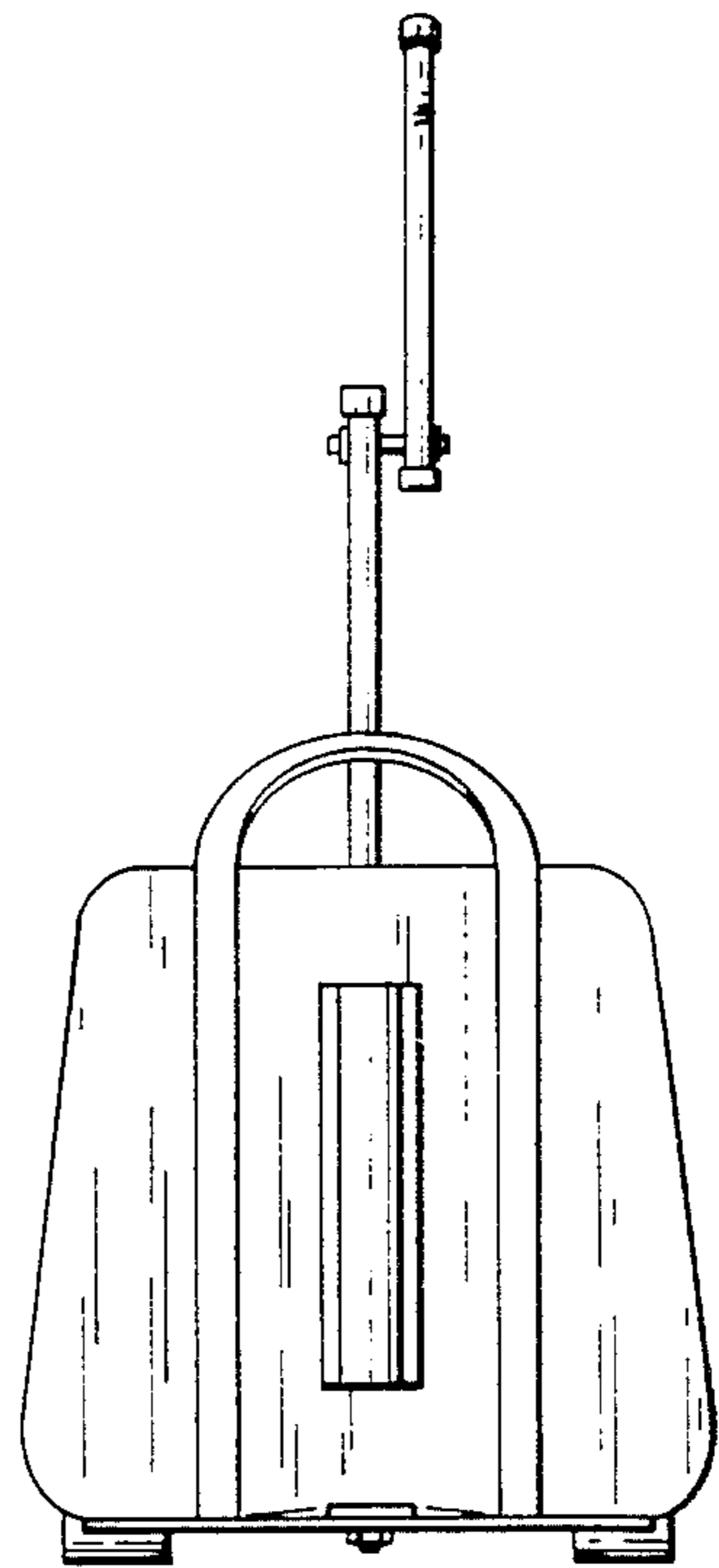


FIG. 3

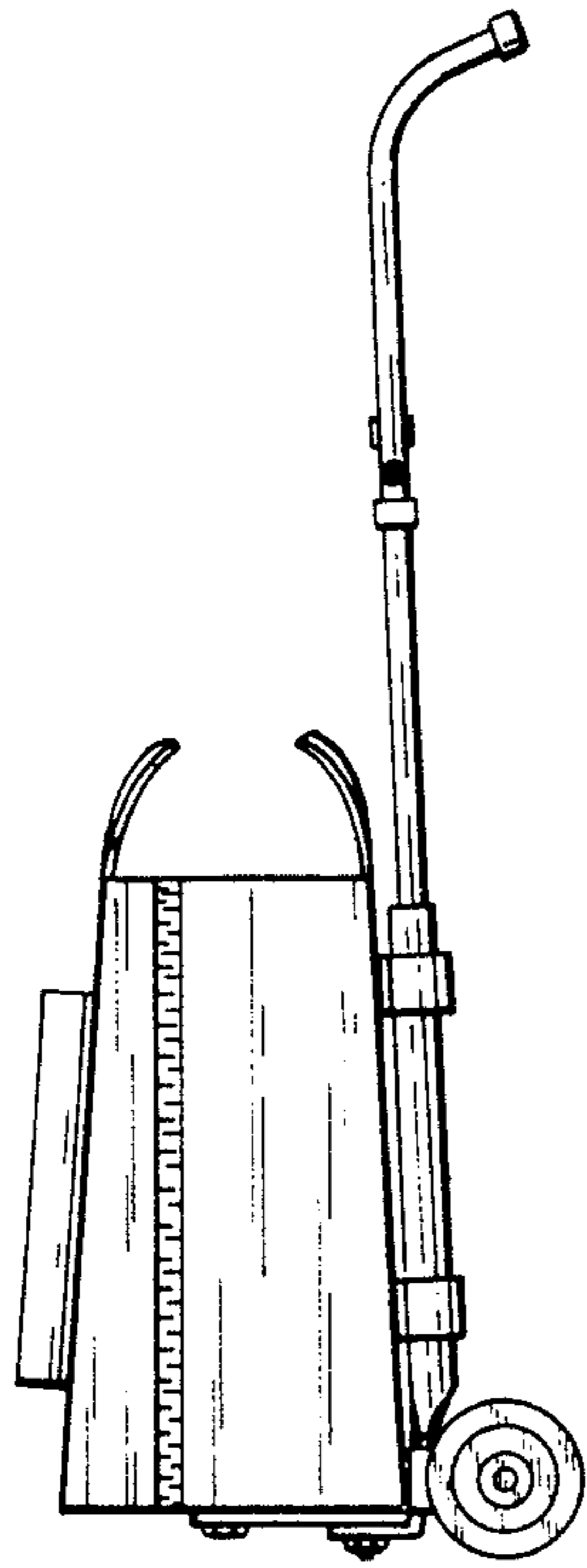


FIG. 4

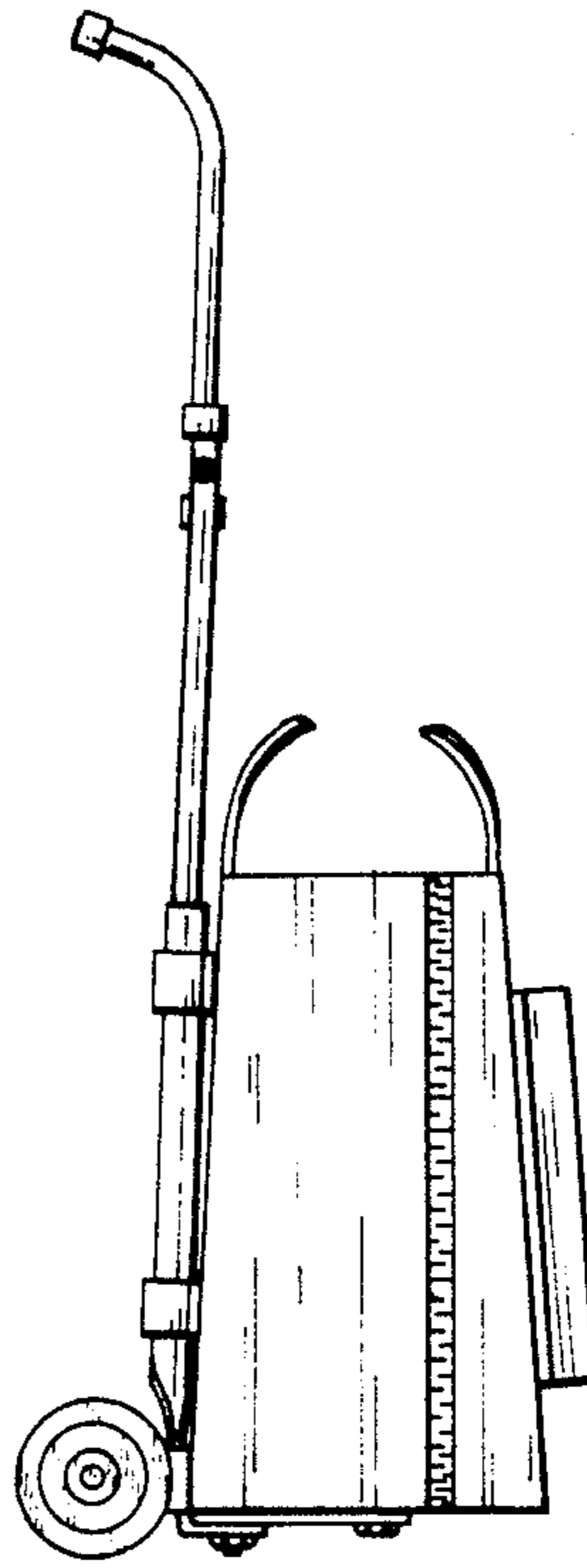


FIG. 5

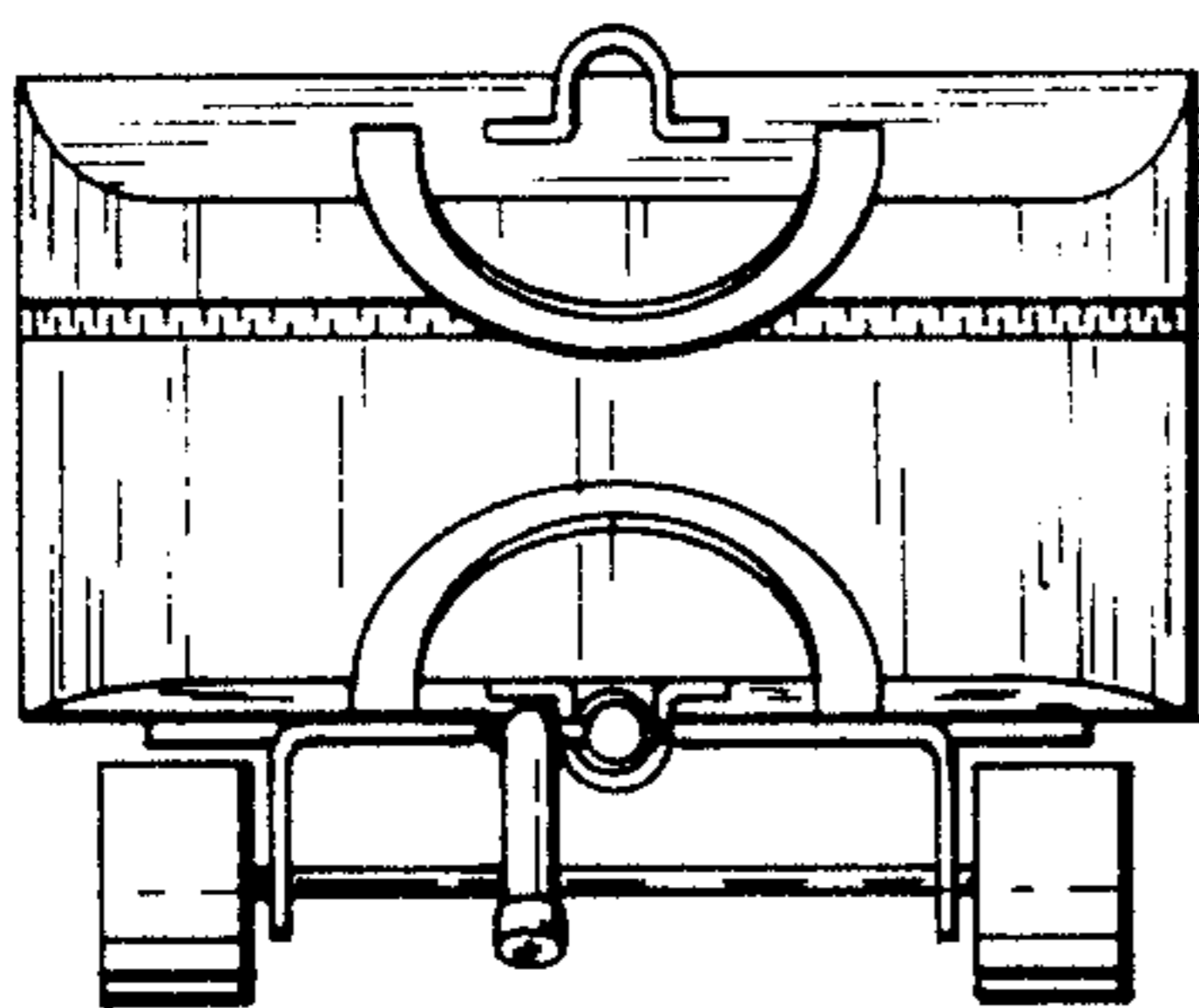


FIG. 6

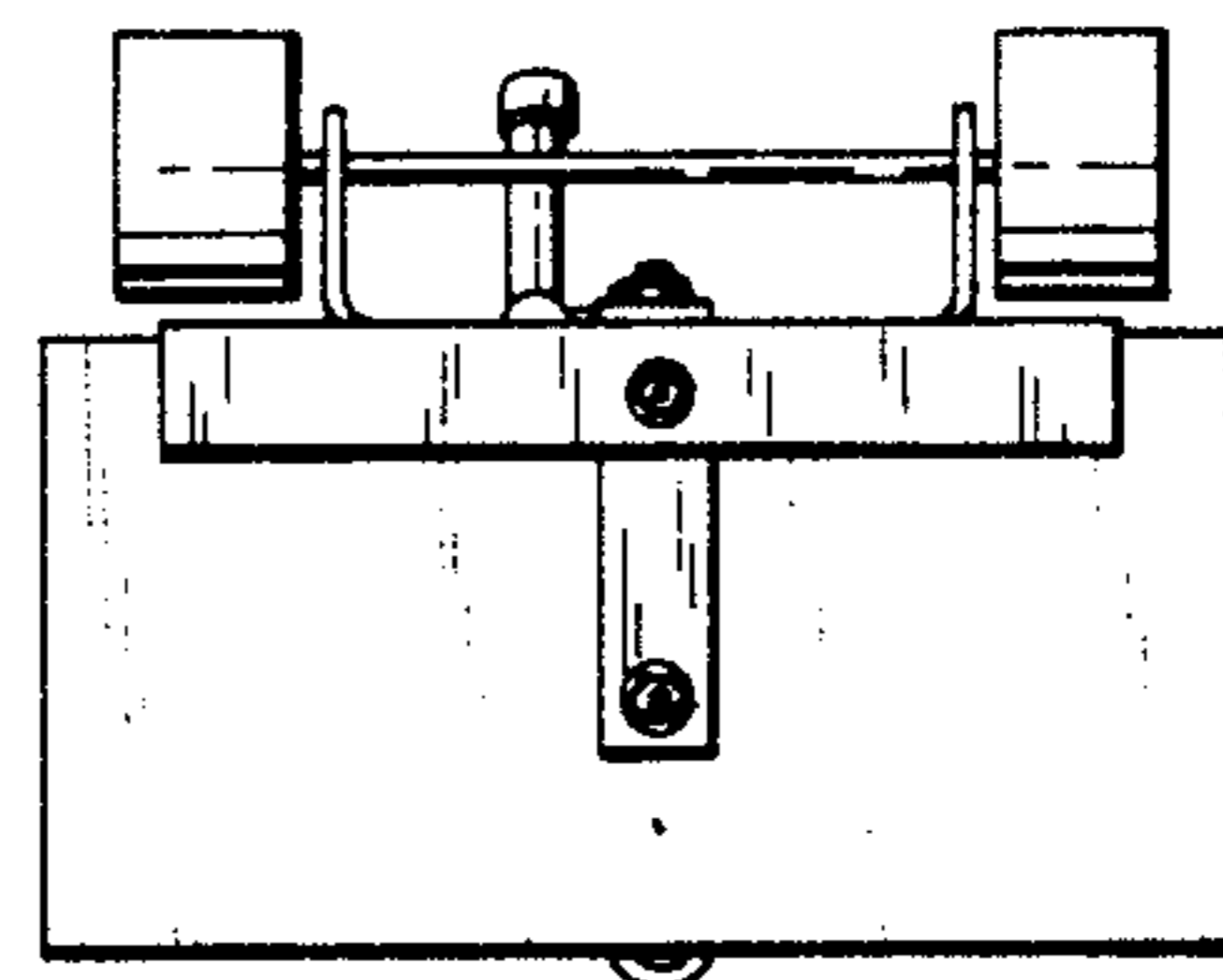


FIG. 7