

[54] FLUORESCENT LAMP

[75] Inventors: Toshiharu Fujita, Kanagawa; Fuminobu Takizawa, Yokohama; Yoshihiro Domom, Kamakura, all of Japan

[73] Assignee: Mitsubishi Denki Kabushiki Kaisha, Tokyo, Japan

[**] Term: 14 Years

[21] Appl. No.: 542,130

[22] Filed: Oct. 14, 1983

[30] Foreign Application Priority Data

| | | |
|--------------------|-------|----------|
| Apr. 14, 1983 [JP] | Japan | 58-15886 |
| Sep. 26, 1983 [JP] | Japan | 58-41775 |
| Sep. 26, 1983 [JP] | Japan | 58-41777 |
| Sep. 26, 1983 [JP] | Japan | 58-41779 |

[52] U.S. Cl. D26/3

[58] Field of Search D26/1, 2, 3, 26; 313/315, 318, 493; 315/48, 53, 56, 57, 58, 62, 63; 362/216, 226

[56] References Cited

U.S. PATENT DOCUMENTS

| | | | |
|------------|---------|---------------|-----------|
| D. 262,406 | 12/1981 | Zabransky | D26/2 |
| 3,355,612 | 11/1967 | Peek, Jr. | 313/318 X |
| 3,746,906 | 7/1973 | Cardwell, Jr. | 313/318 |
| 4,311,942 | 1/1982 | Skeist et al. | D26/3 X |

FOREIGN PATENT DOCUMENTS

| | | | |
|---------|--------|-------|-------|
| 5664658 | 5/1981 | Japan | D26/3 |
|---------|--------|-------|-------|

Primary Examiner—Susan J. Lucas
Attorney, Agent, or Firm—Oblon, Fisher, Spivak, McClelland & Maier

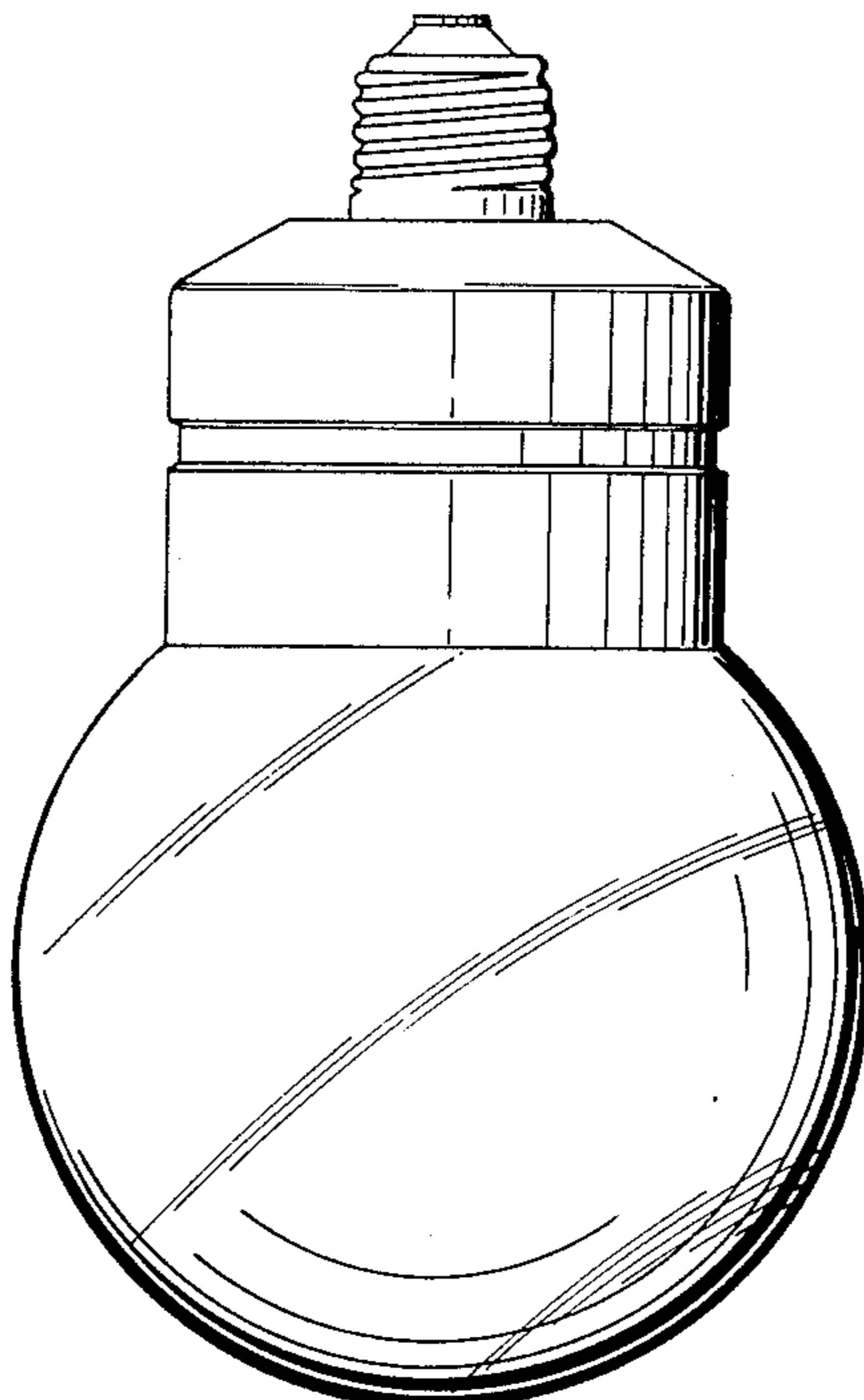
[57] CLAIM

The ornamental design for a fluorescent lamp, as shown and described.

DESCRIPTION

FIG. 1 is a front view of a fluorescent lamp showing our new design;
 FIG. 2 is a bottom view thereof;
 FIG. 3 is a top view thereof;
 FIG. 4 is a cross-sectional view thereof taken along line 4—4 of FIG. 3;
 FIG. 5 is a left side view of a second embodiment of our design;
 FIG. 6 is a top view thereof;
 FIG. 7 is a front view thereof;
 FIG. 8 is a rear view thereof;
 FIG. 9 is a cross-sectional view thereof taken along line 9—9 of FIG. 7;
 FIG. 10 is a bottom view thereof;
 FIG. 11 is a rear view of a third design;
 FIG. 12 is a bottom view thereof;
 FIG. 13 is a top view thereof;
 FIG. 14 is a front view thereof;
 FIG. 15 is a cross-sectional view thereof taken on line 15—15 of FIG. 14;
 FIG. 16 is a left side view thereof;
 FIG. 17 is a left side view of a fourth embodiment of our new design;
 FIG. 18 is a bottom view thereof;
 FIG. 19 is a right side view thereof;
 FIG. 20 is a rear view thereof;
 FIG. 21 is a top view thereof;
 FIG. 22 is a front view thereof;
 FIG. 23 is a cross-sectional view thereof taken on line 23—23 of FIG. 22.

The globe of the first and third embodiment is translucent. The globe of the second fourth embodiments is transparent, the upper half being lined with a reflective material.



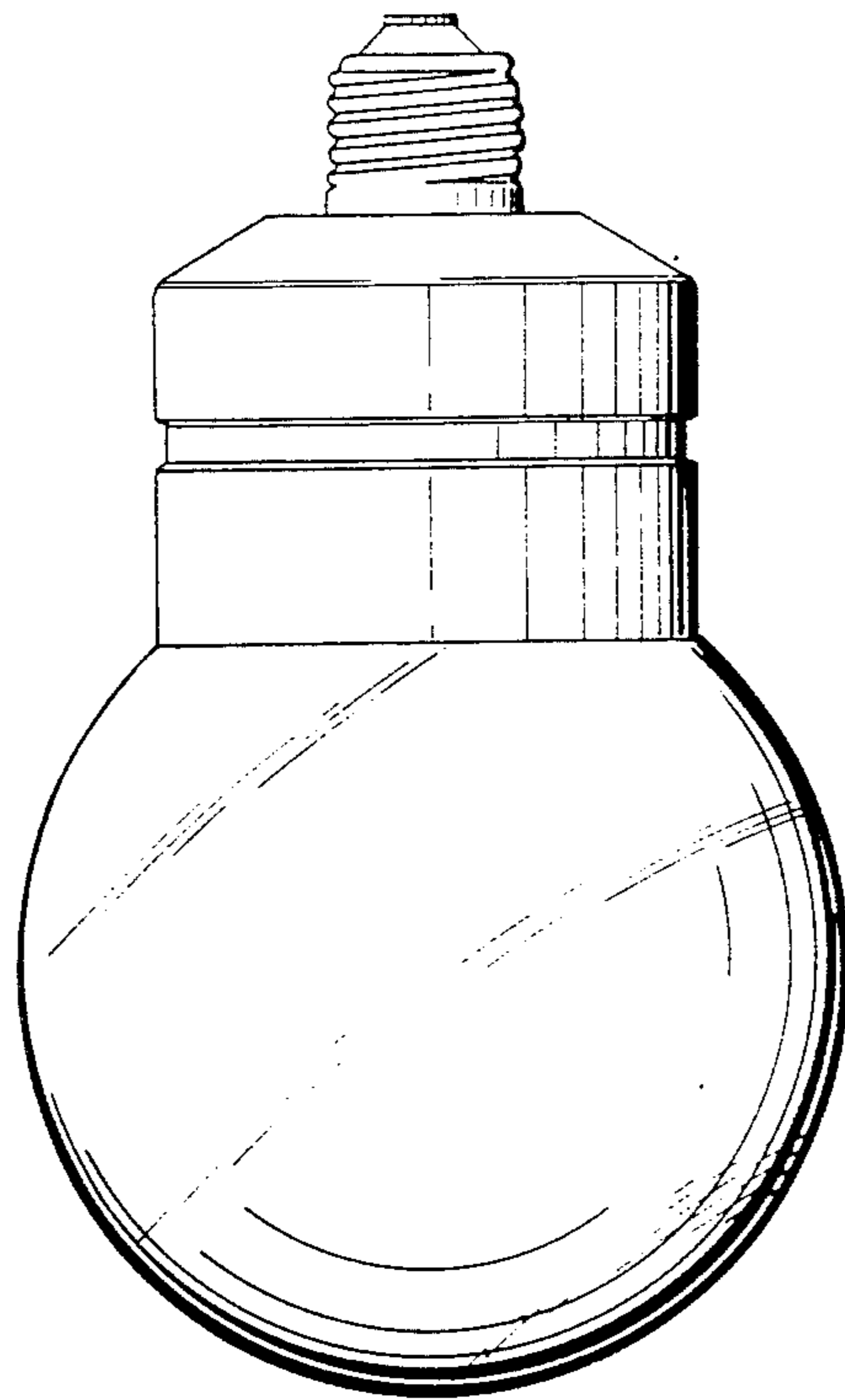


FIG. 1

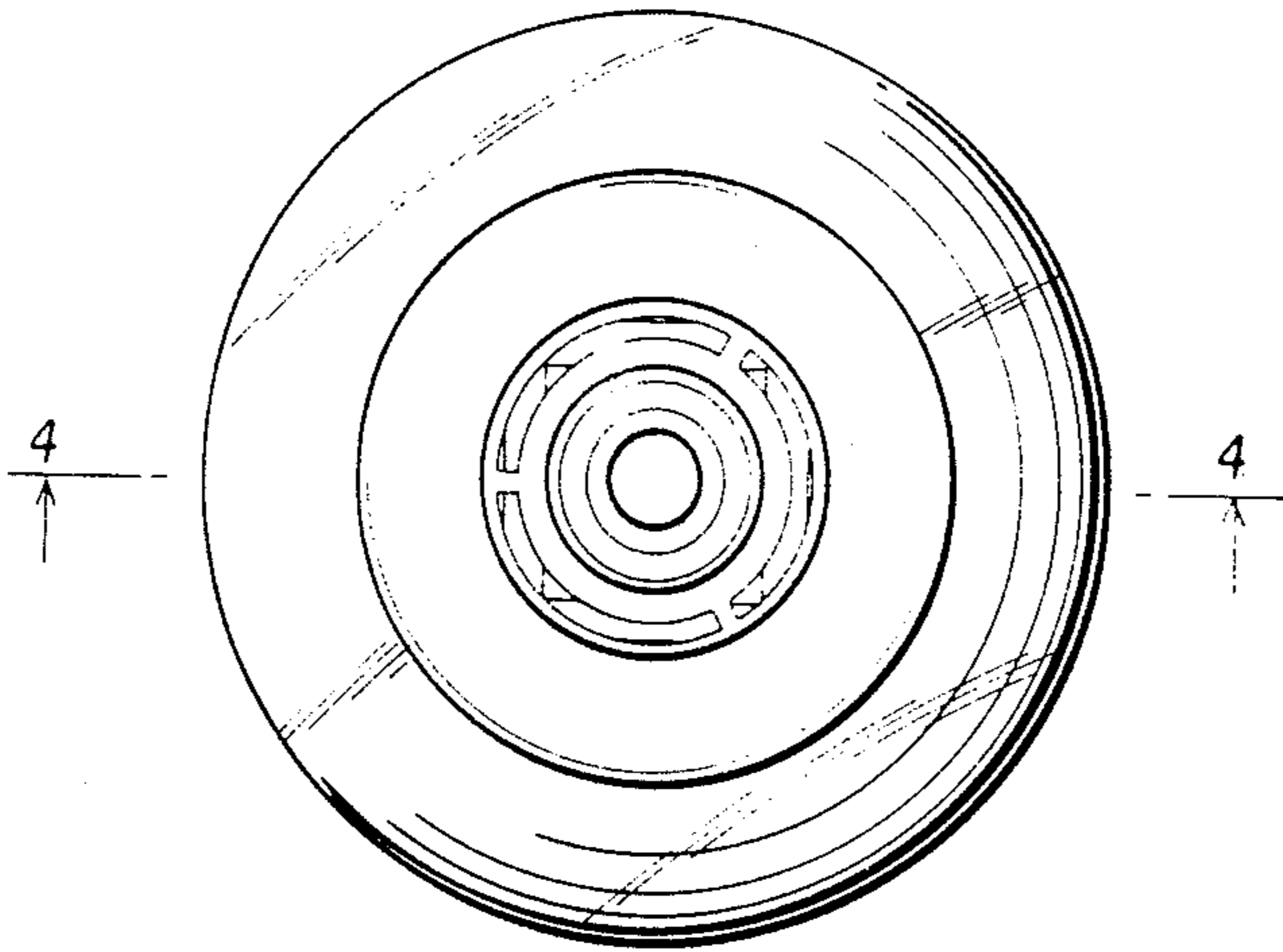


FIG. 3

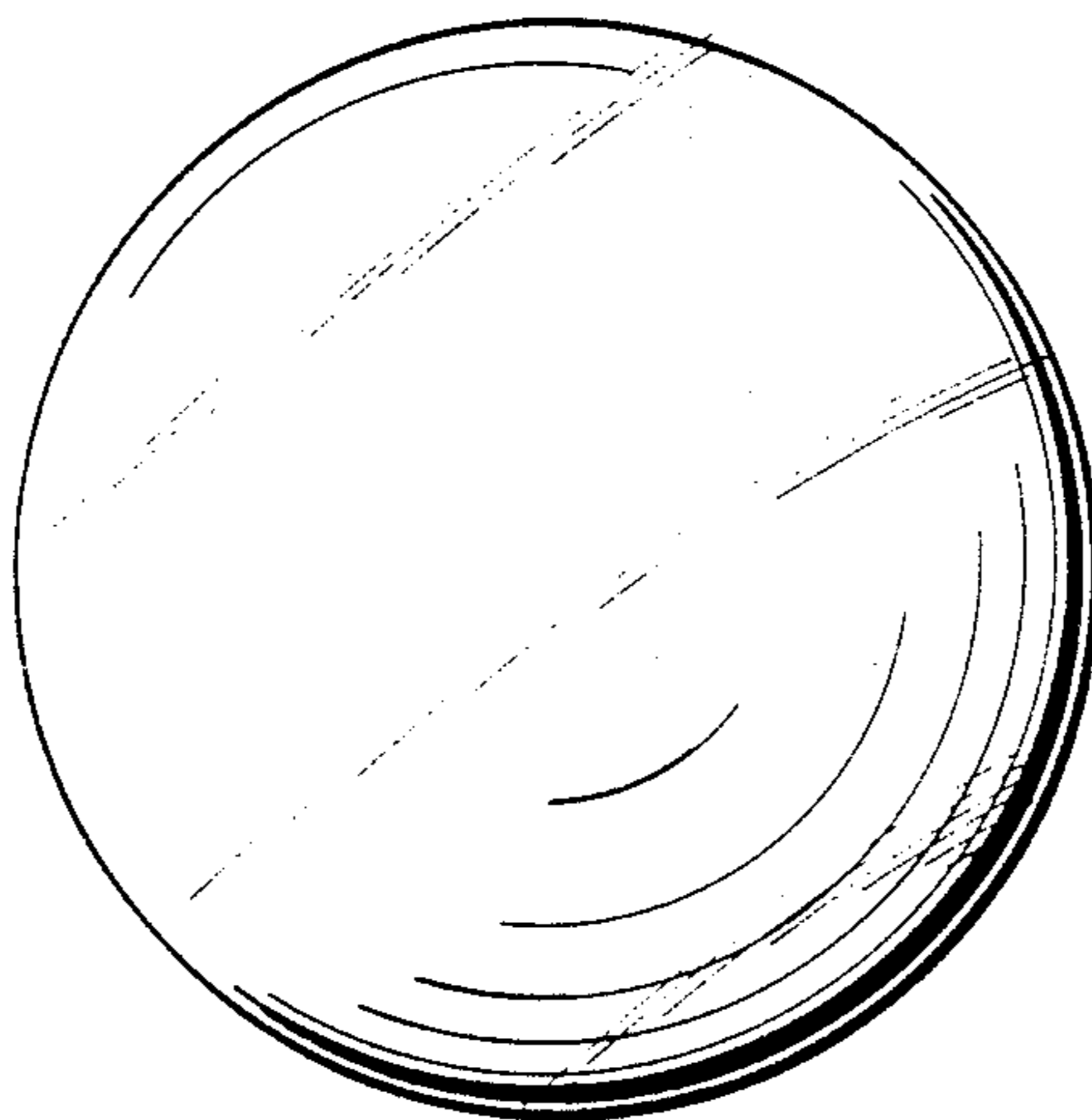


FIG. 2

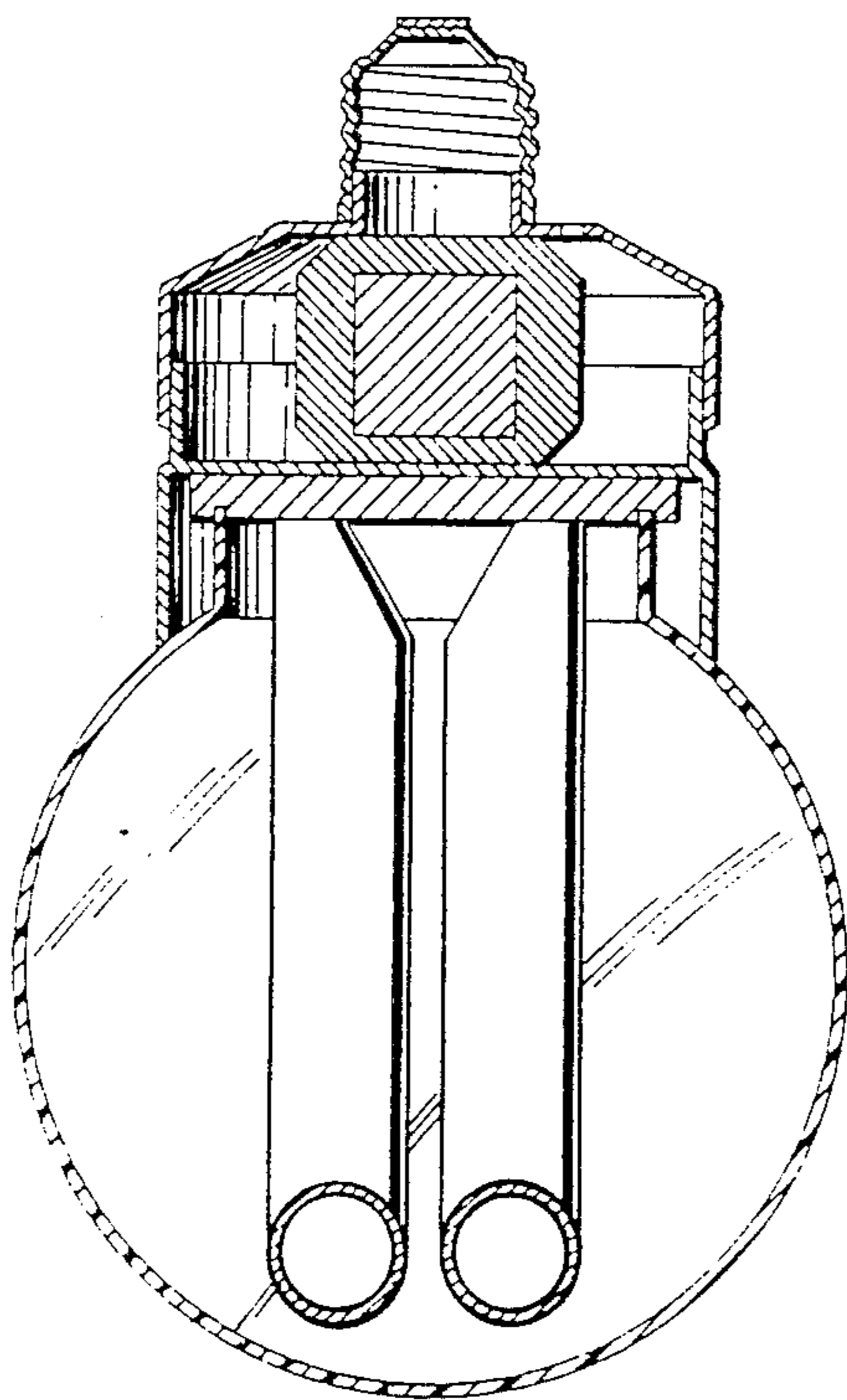


FIG. 4

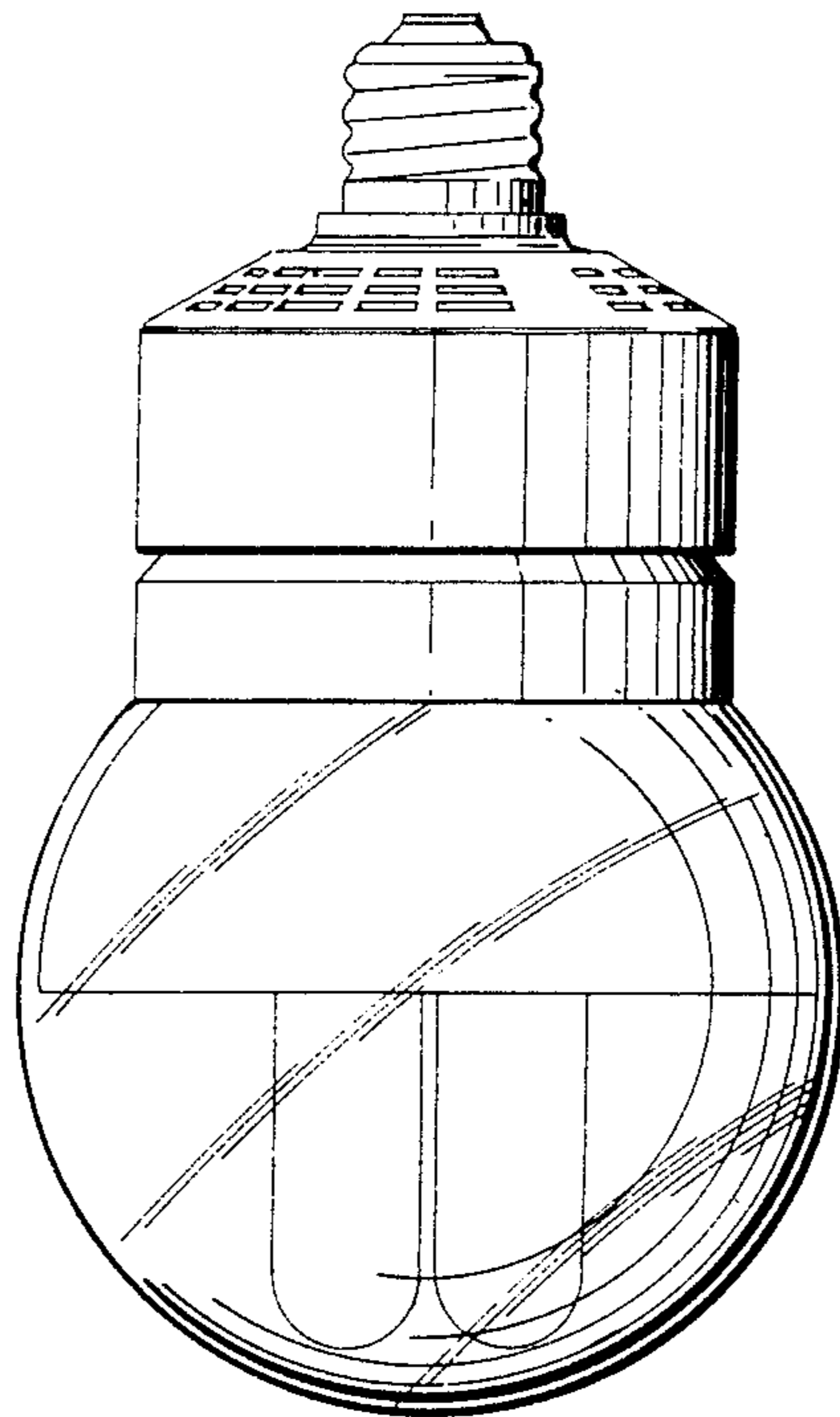


FIG. 5

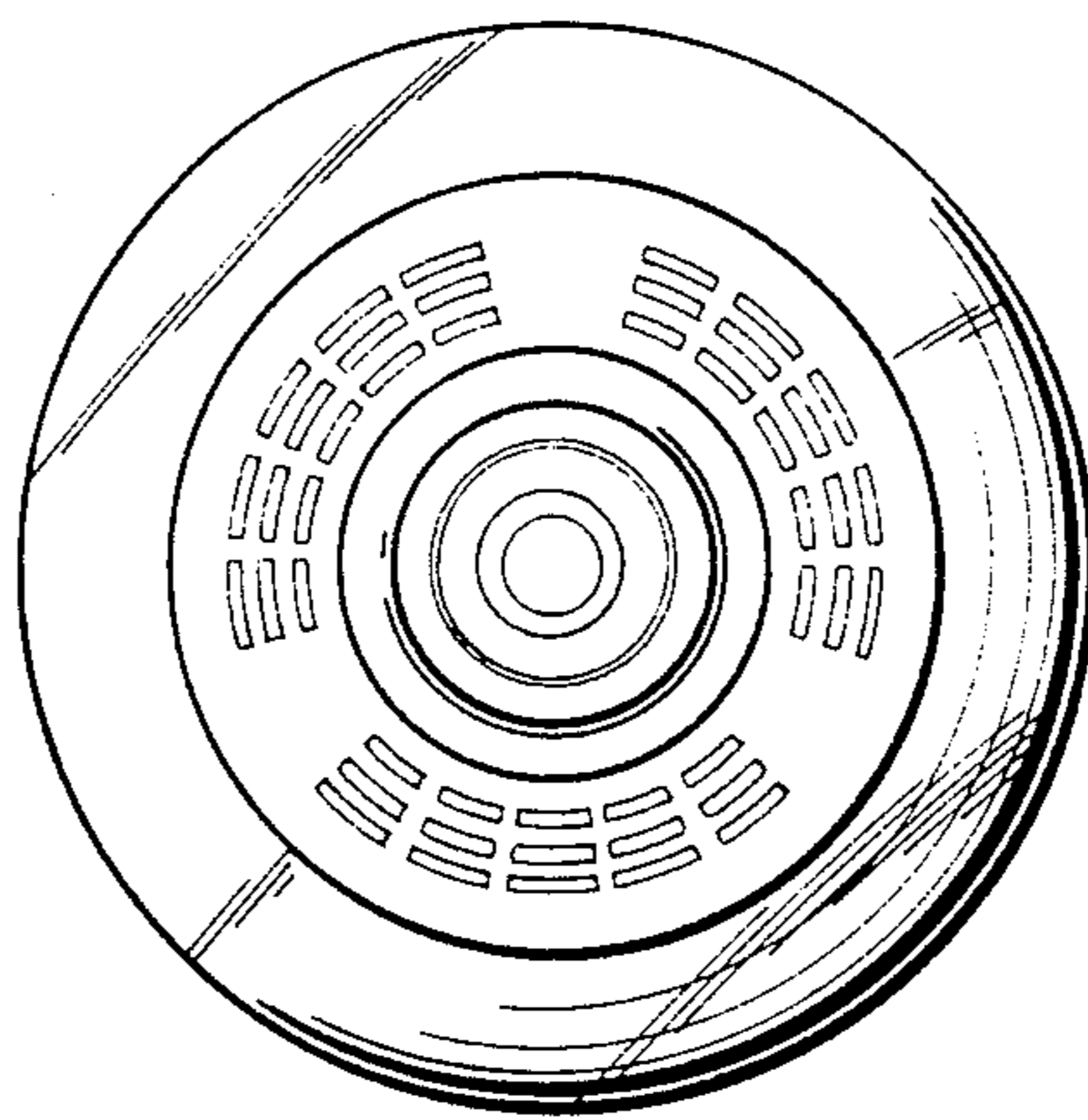


FIG. 6

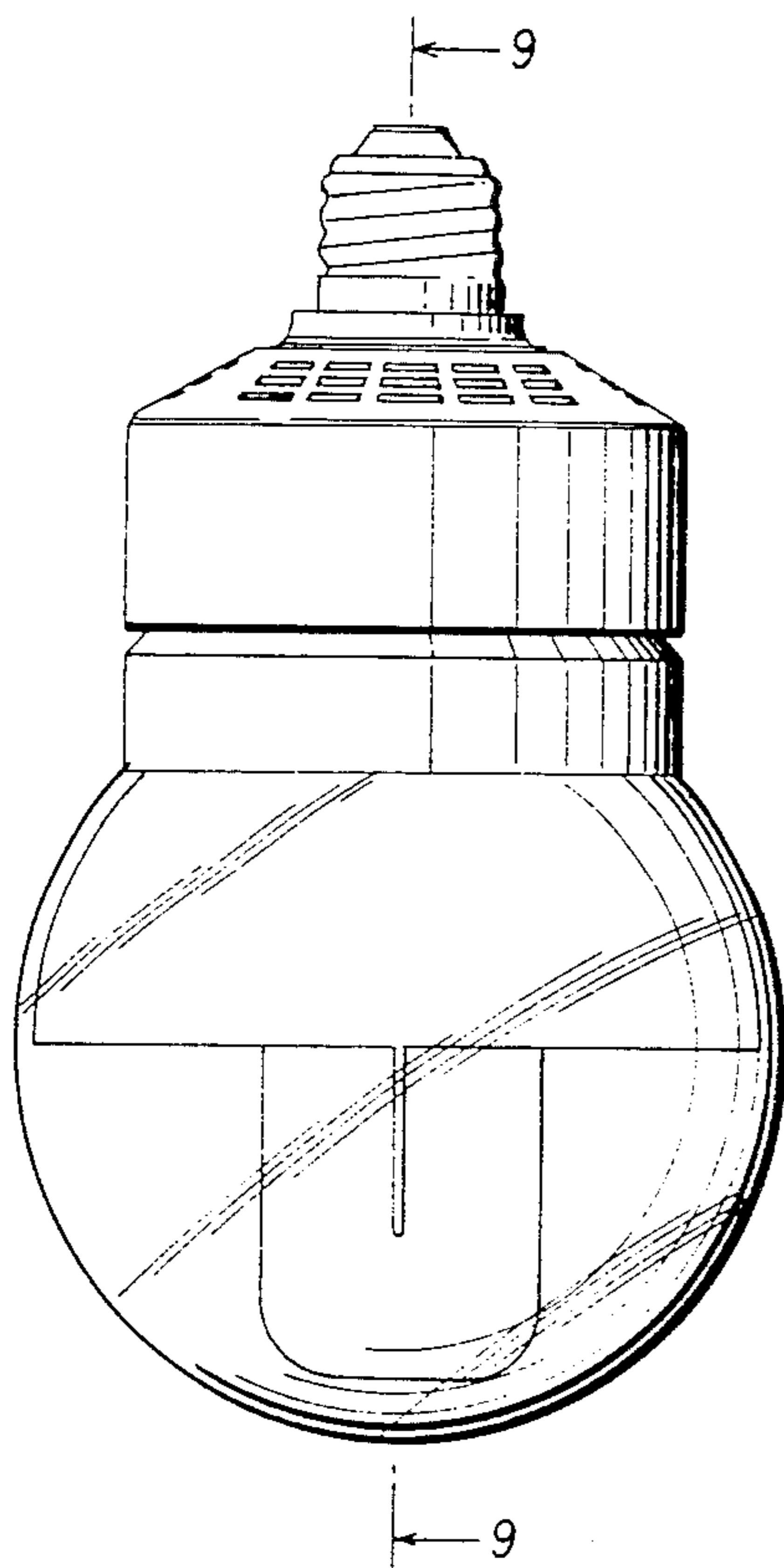


FIG. 7

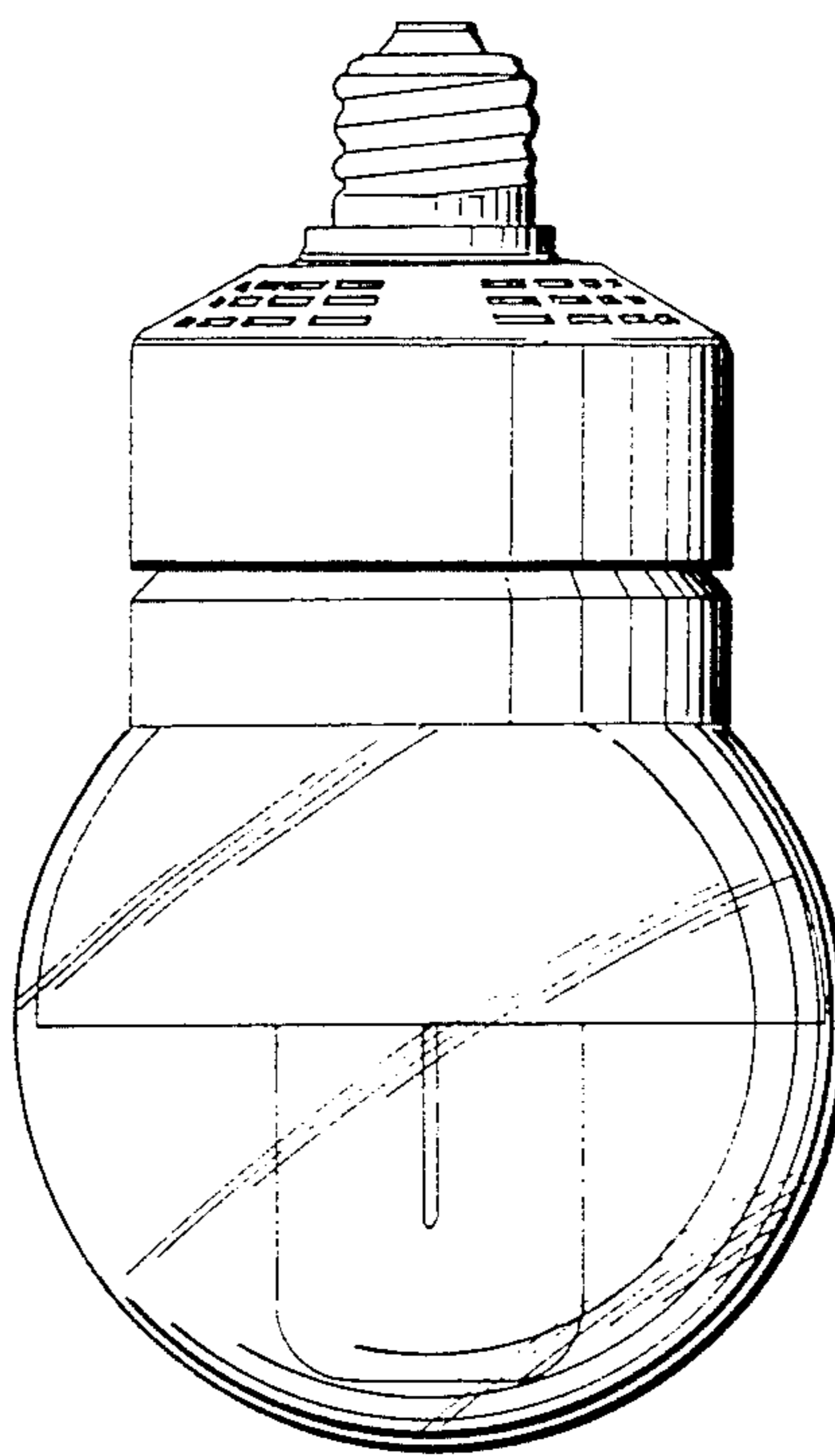


FIG. 8

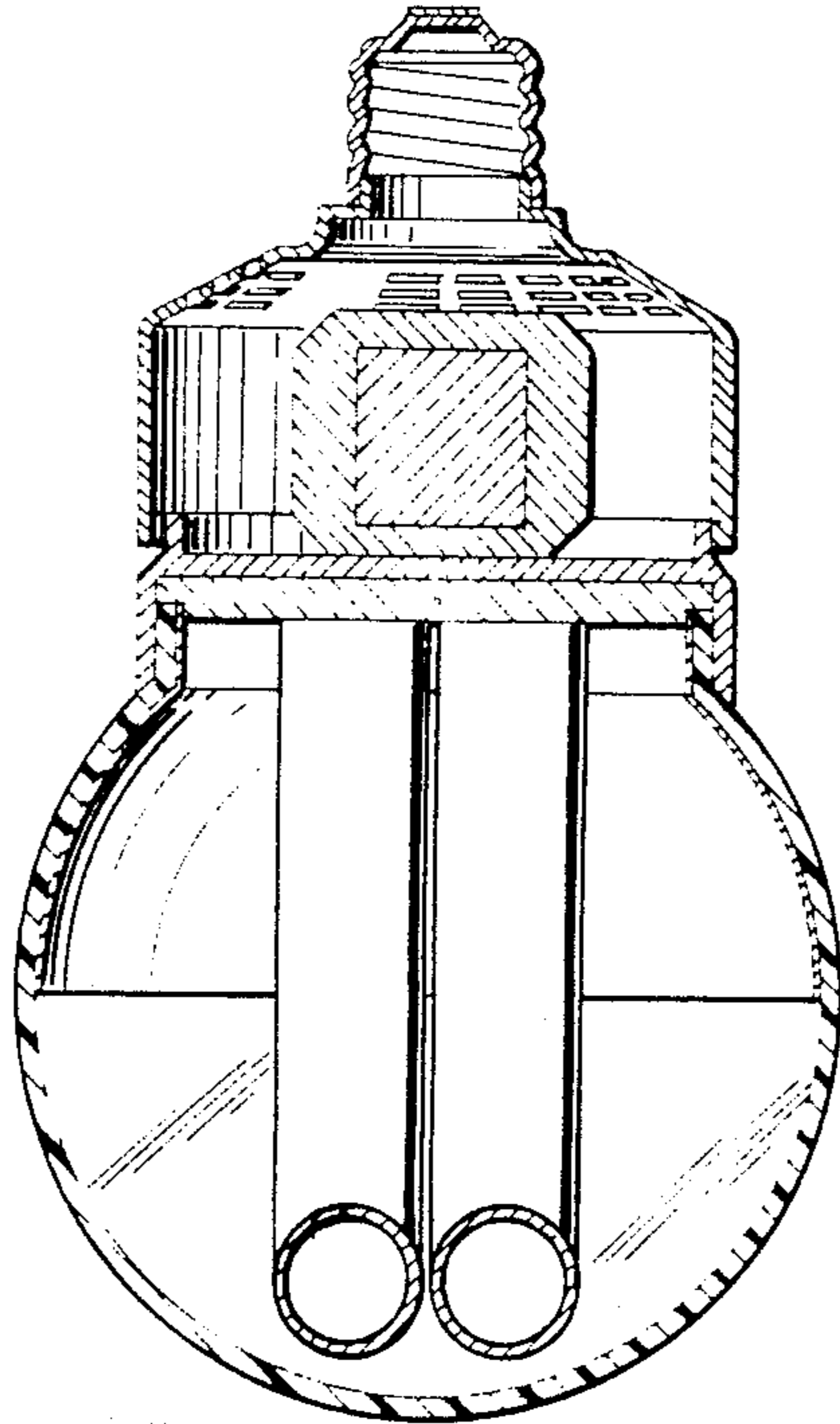


FIG. 9

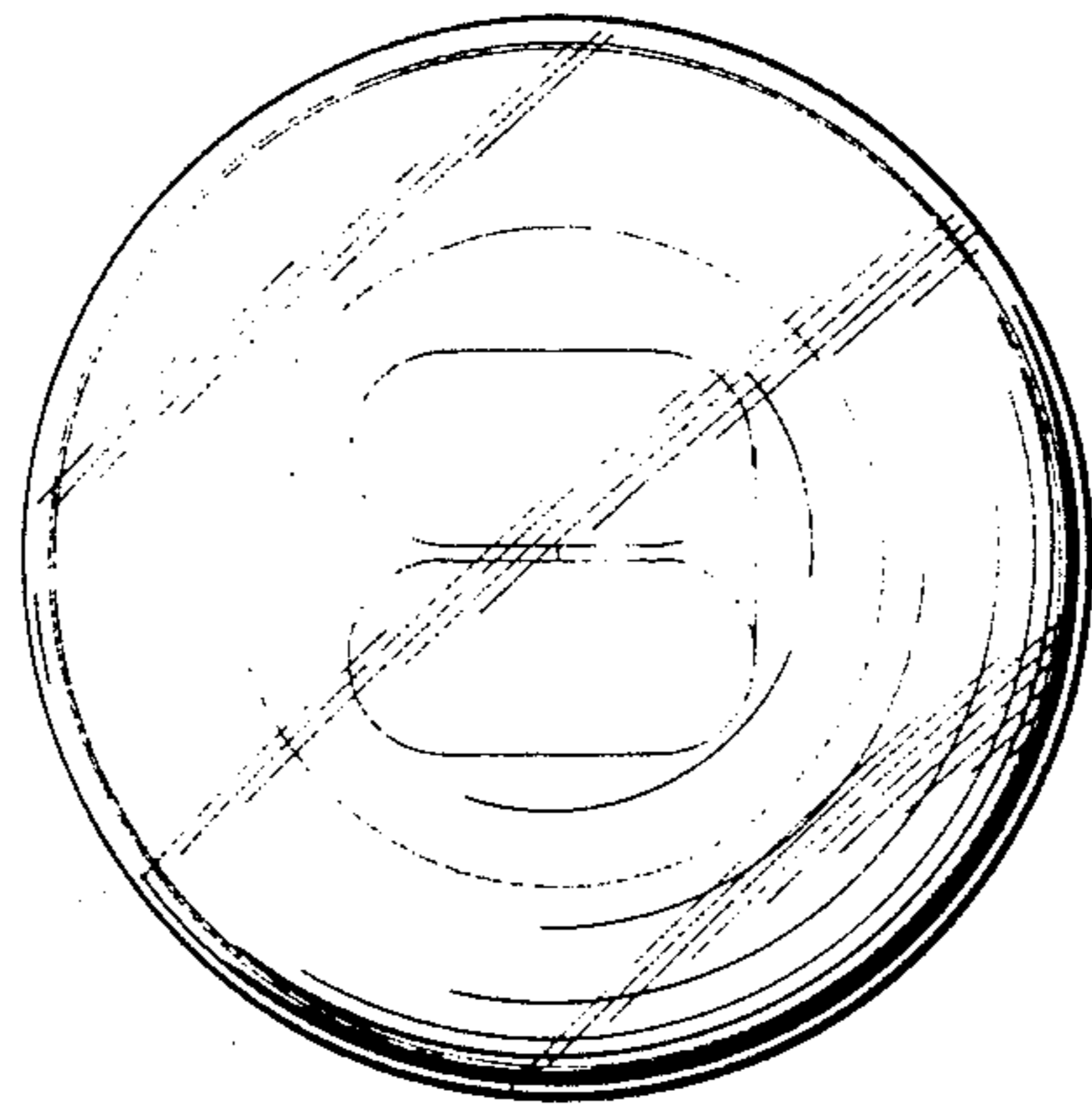


FIG. 10

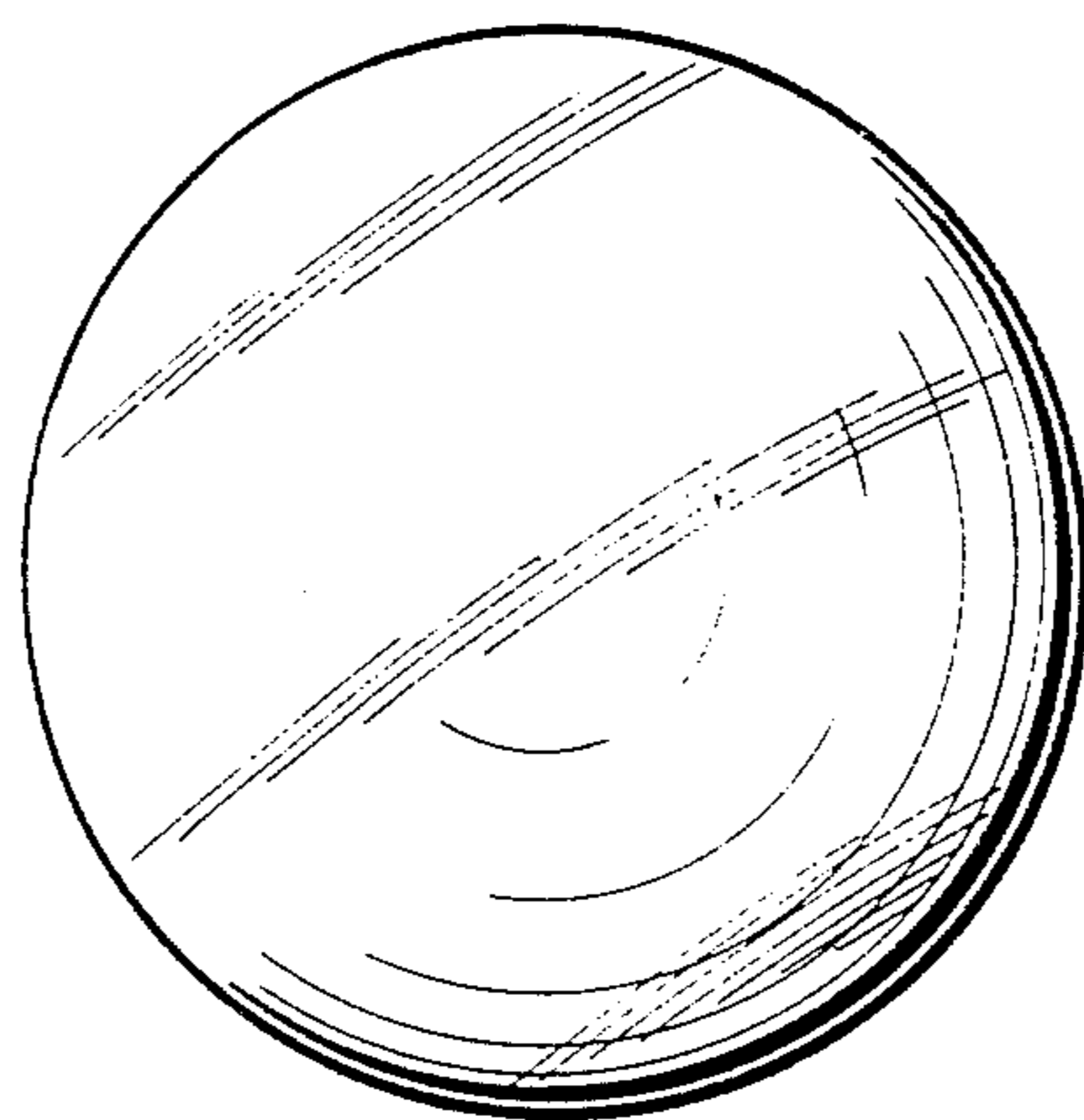
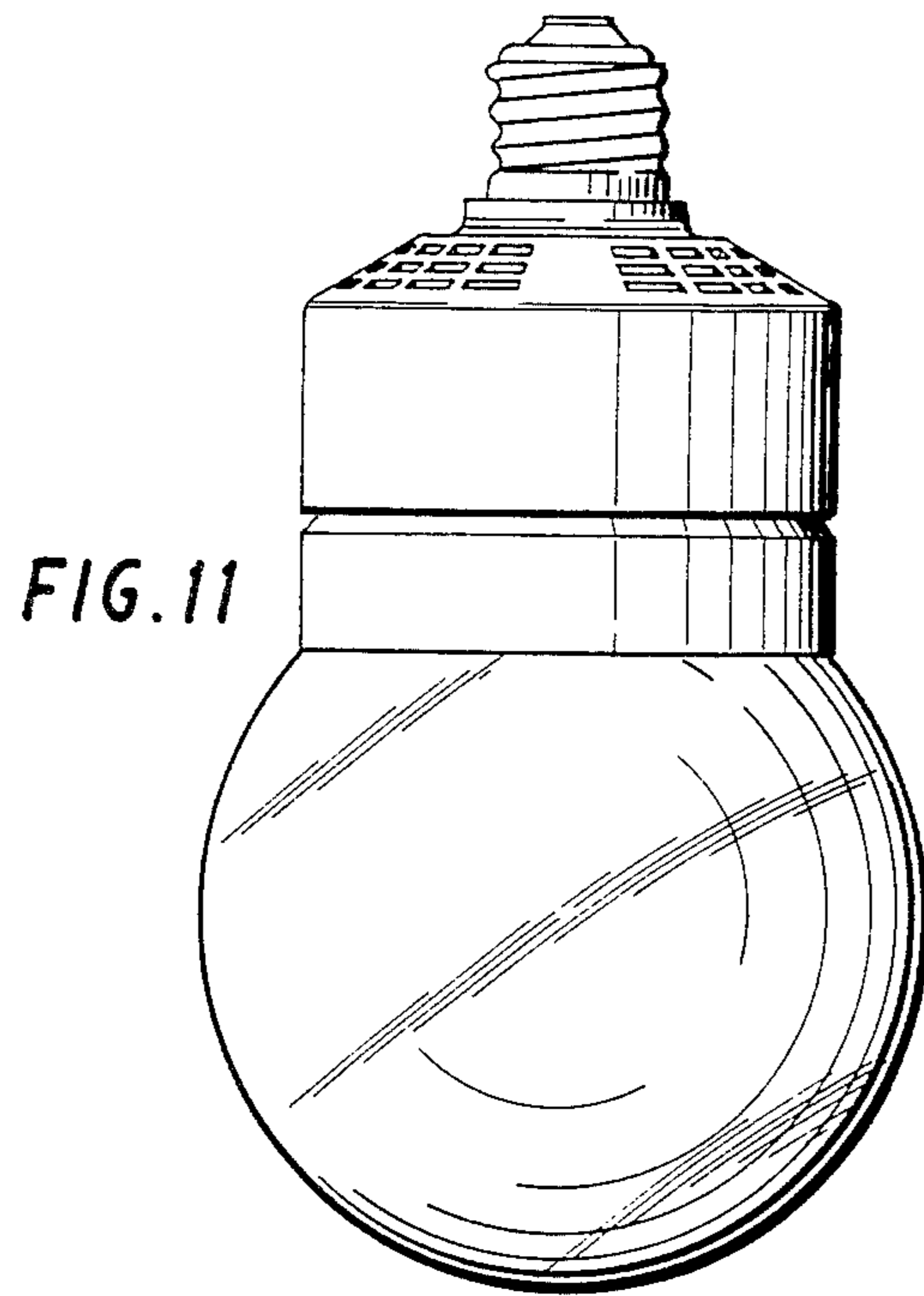
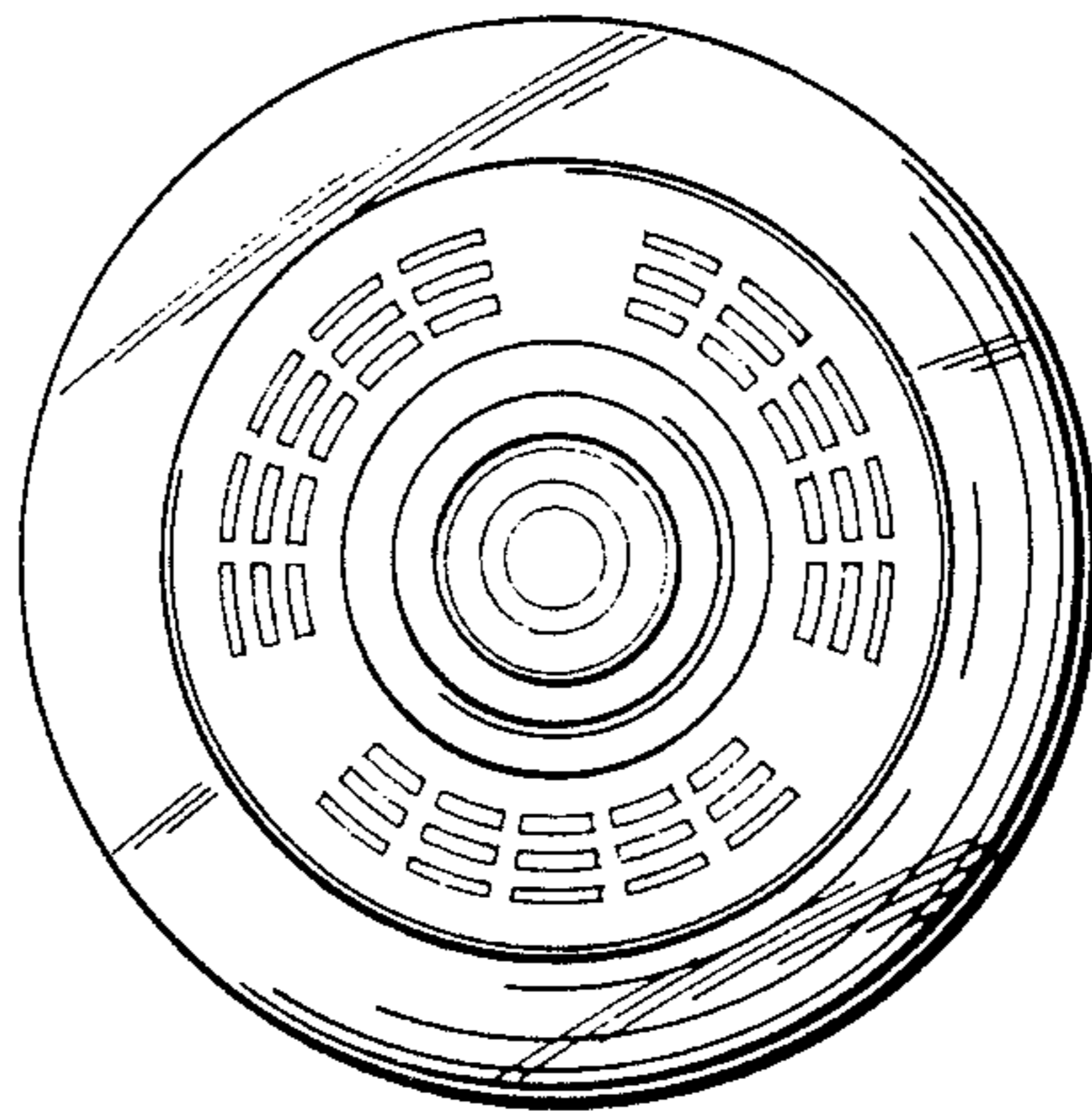
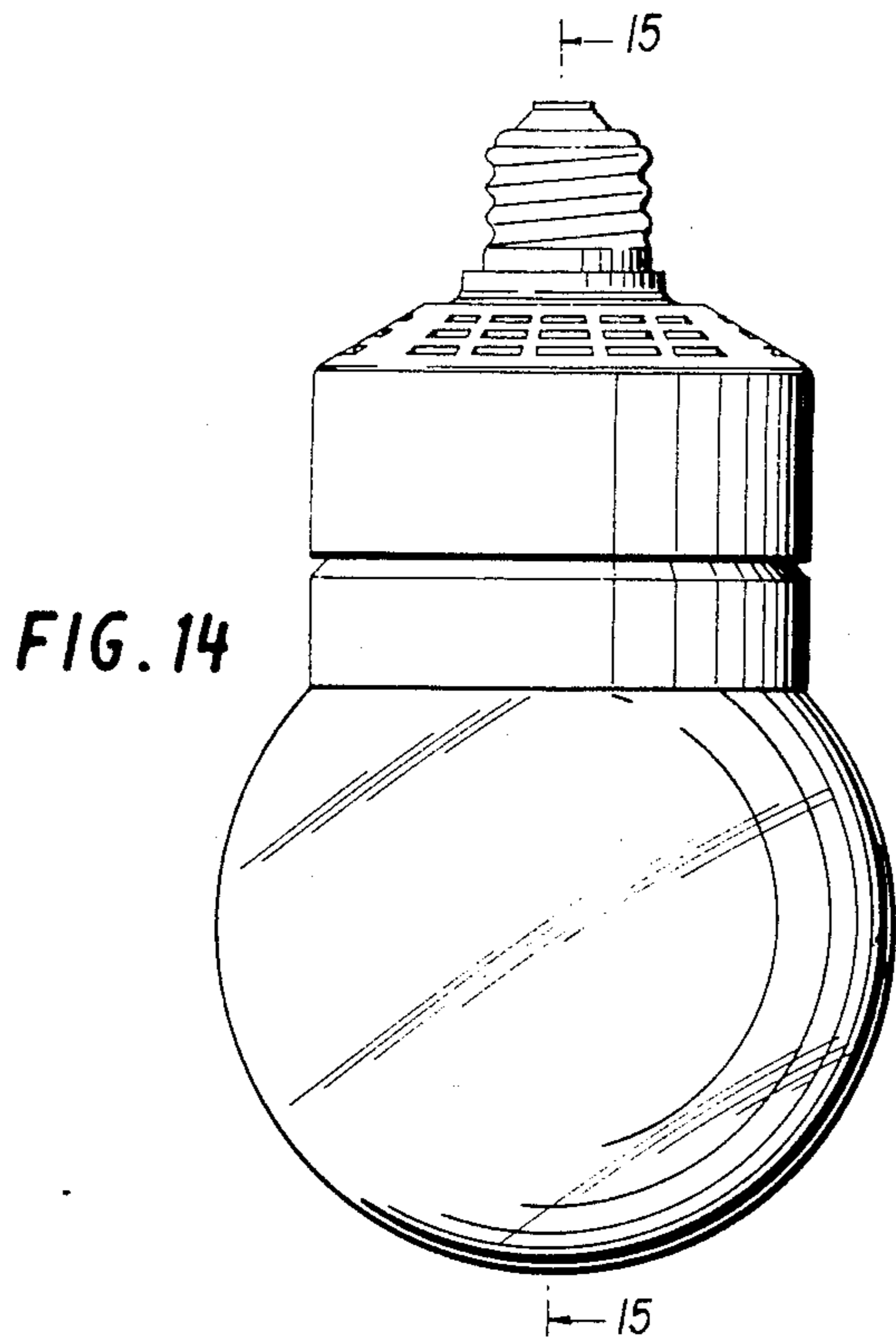
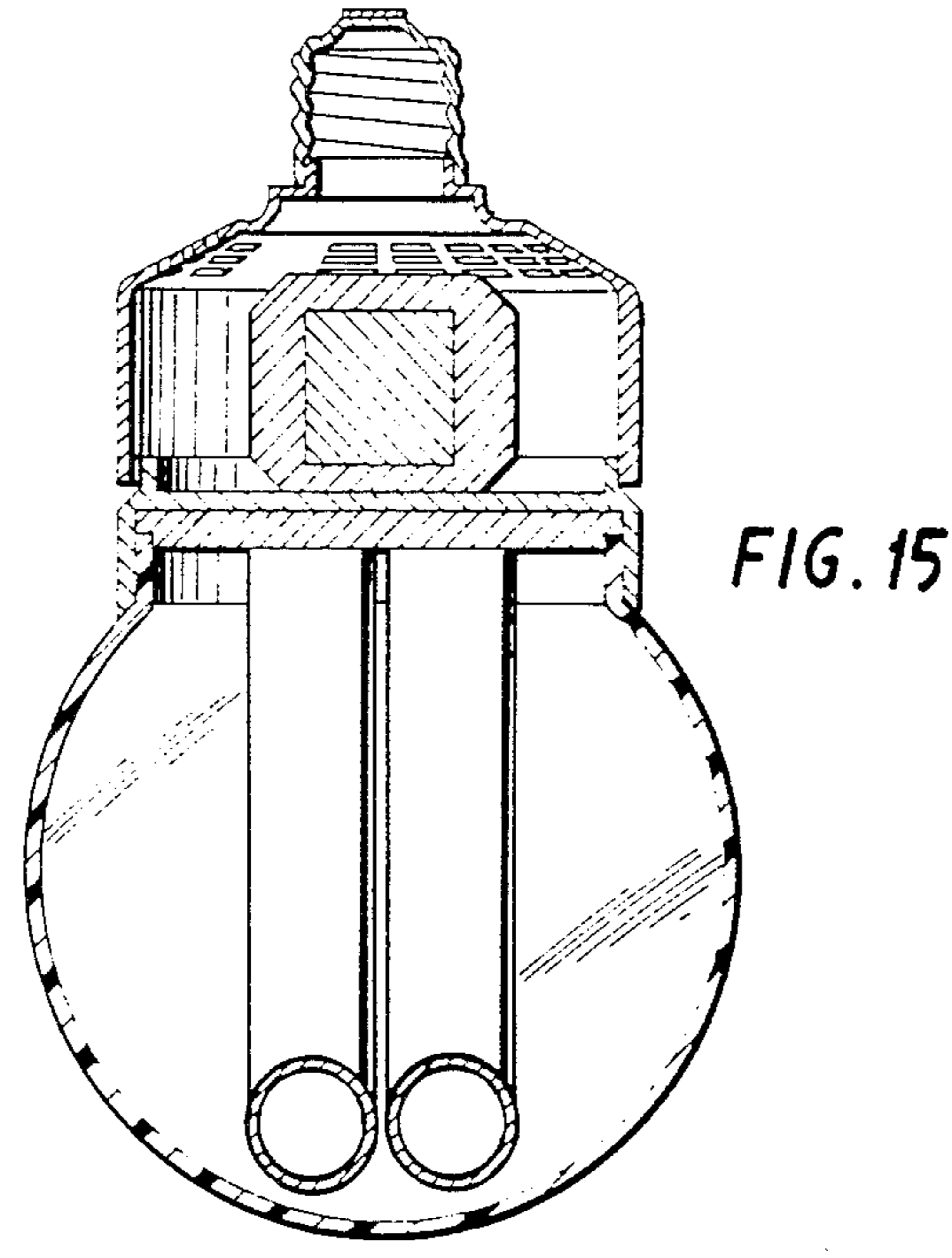
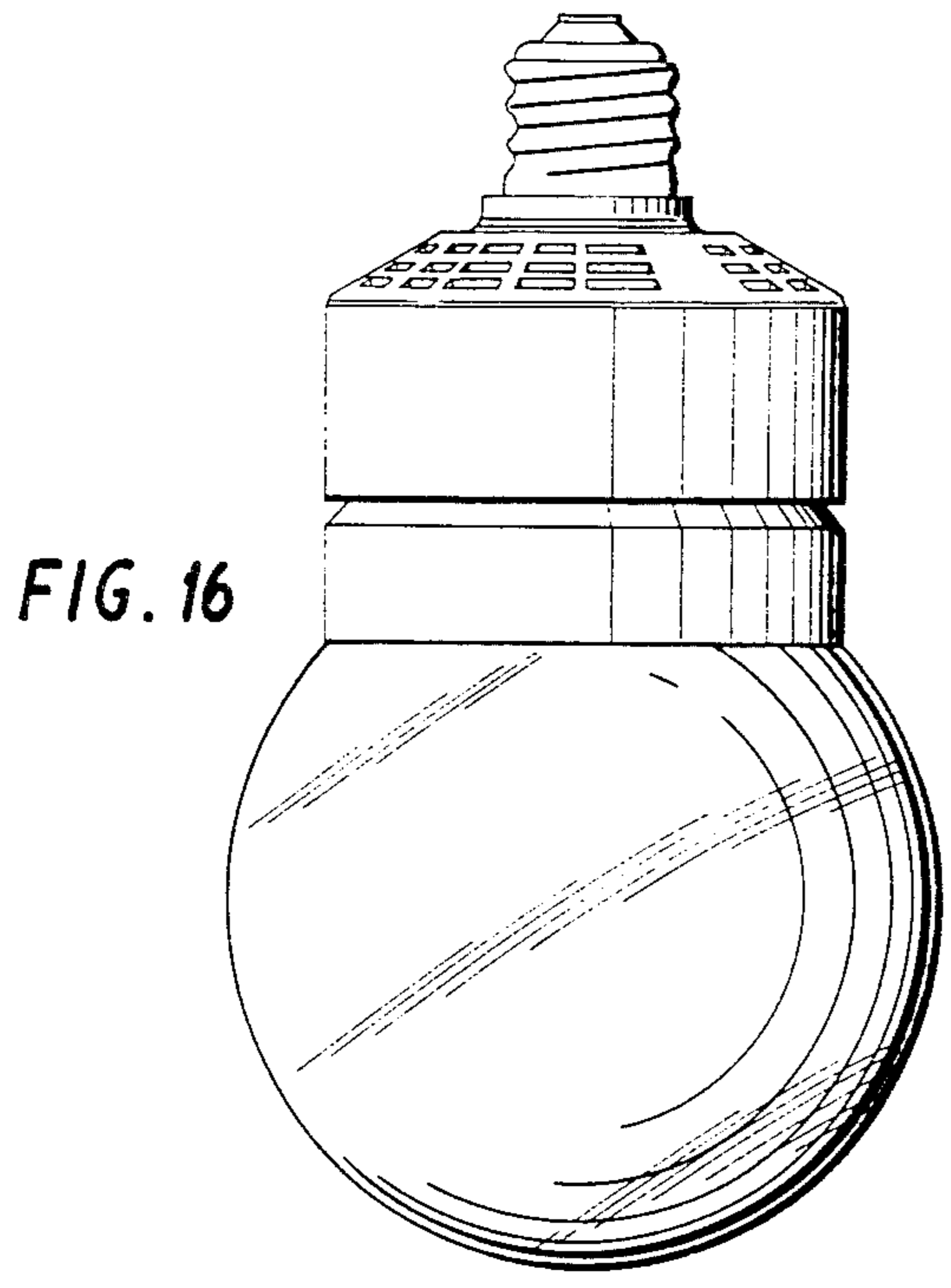


FIG. 12





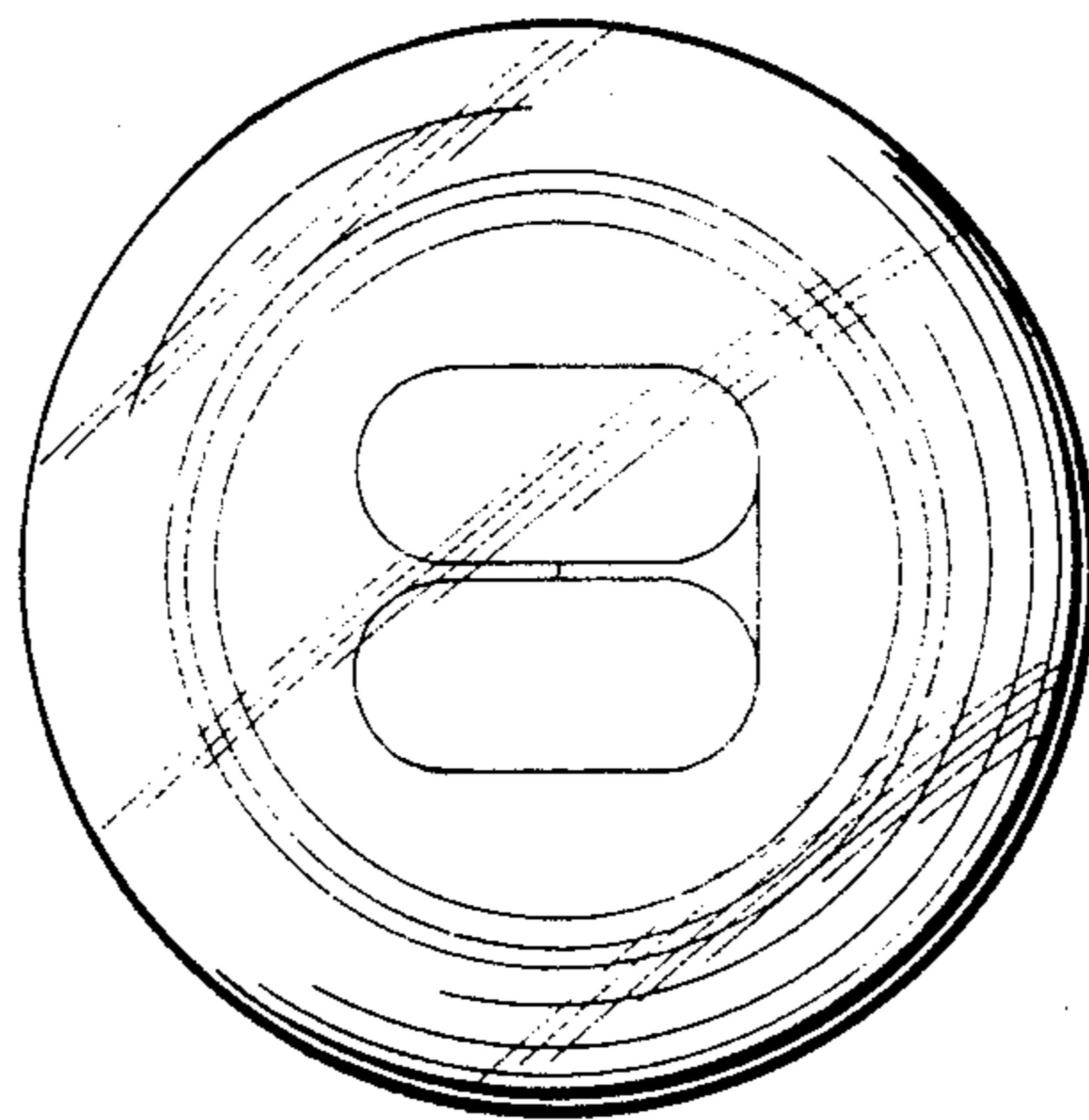
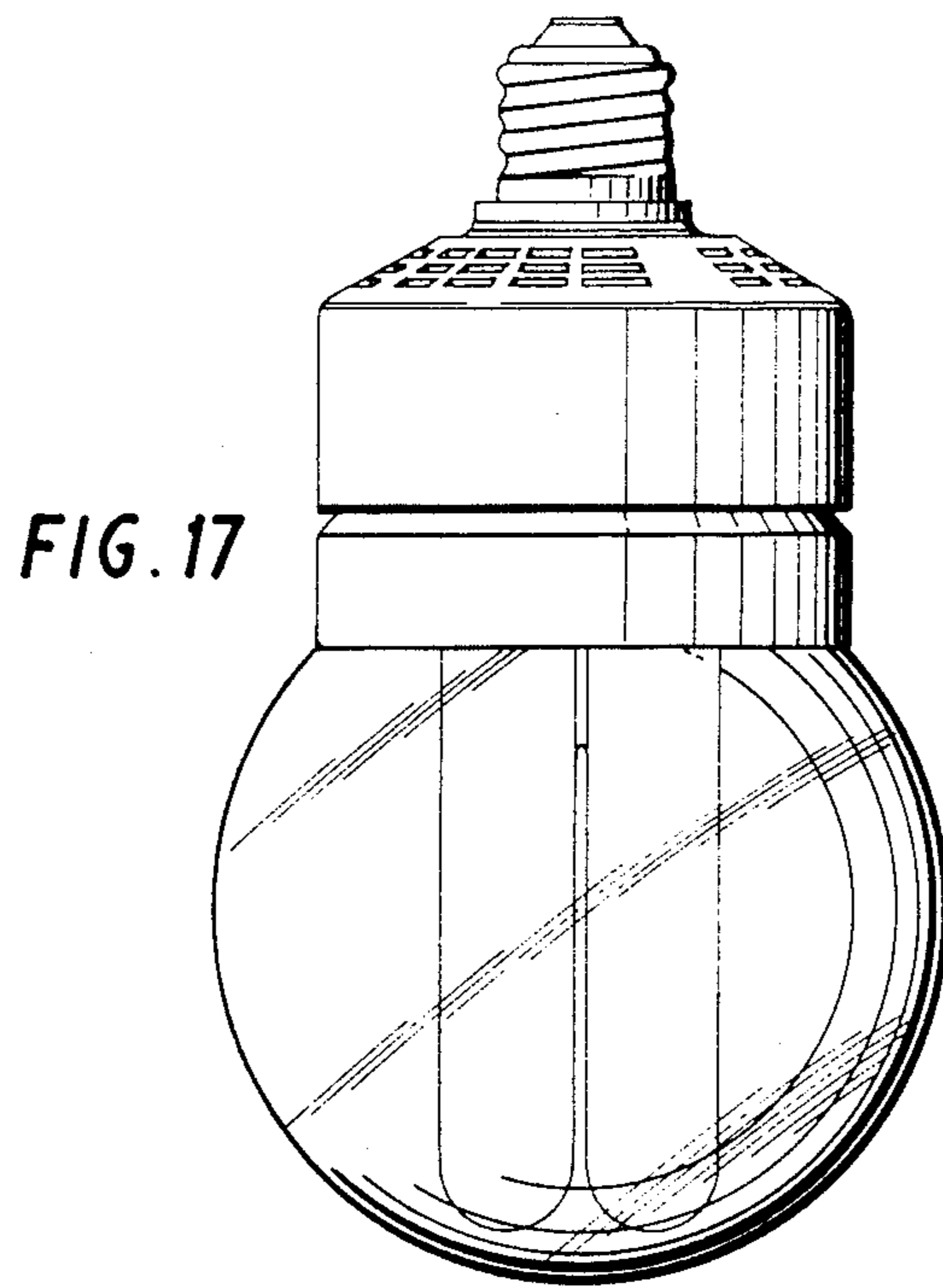
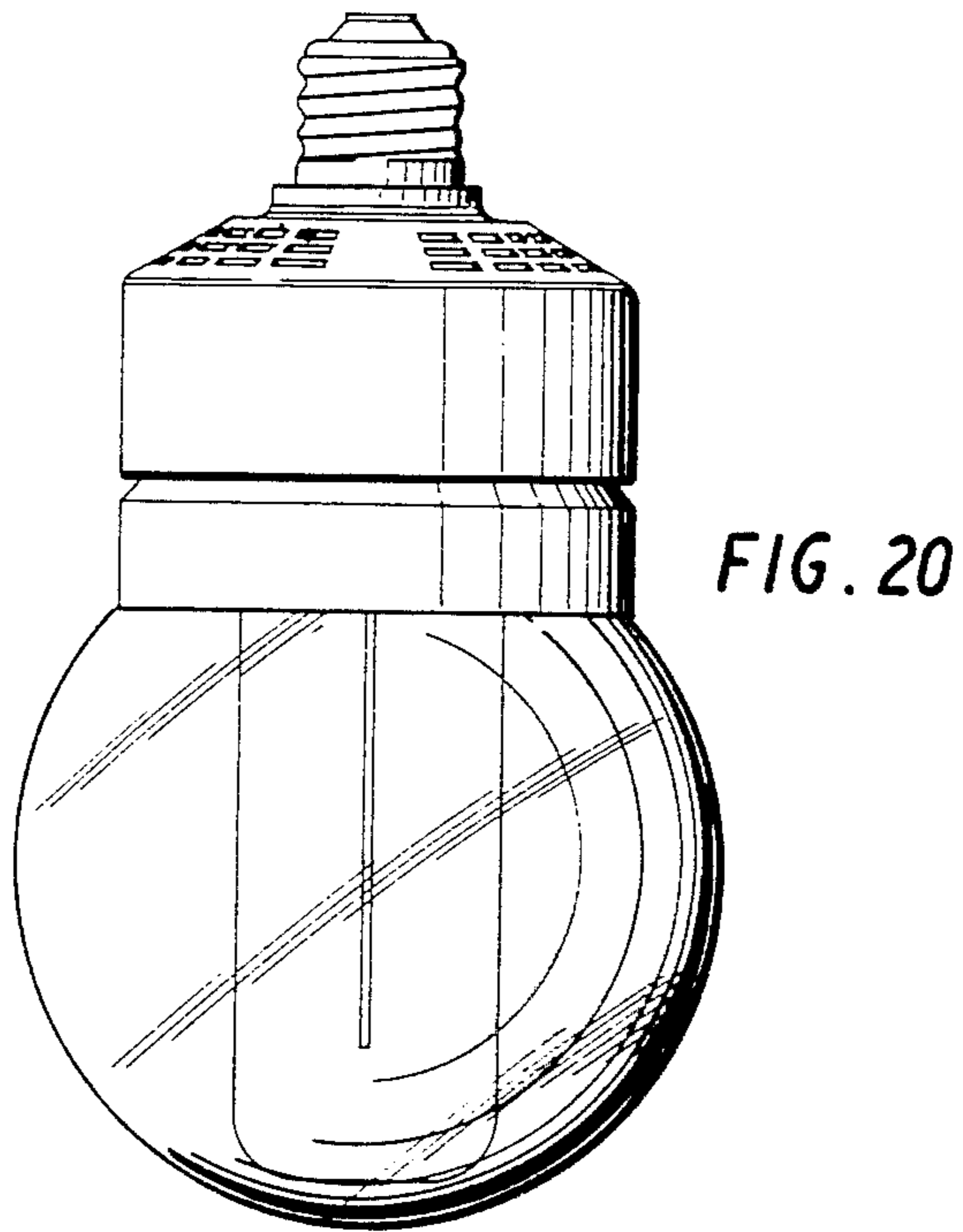
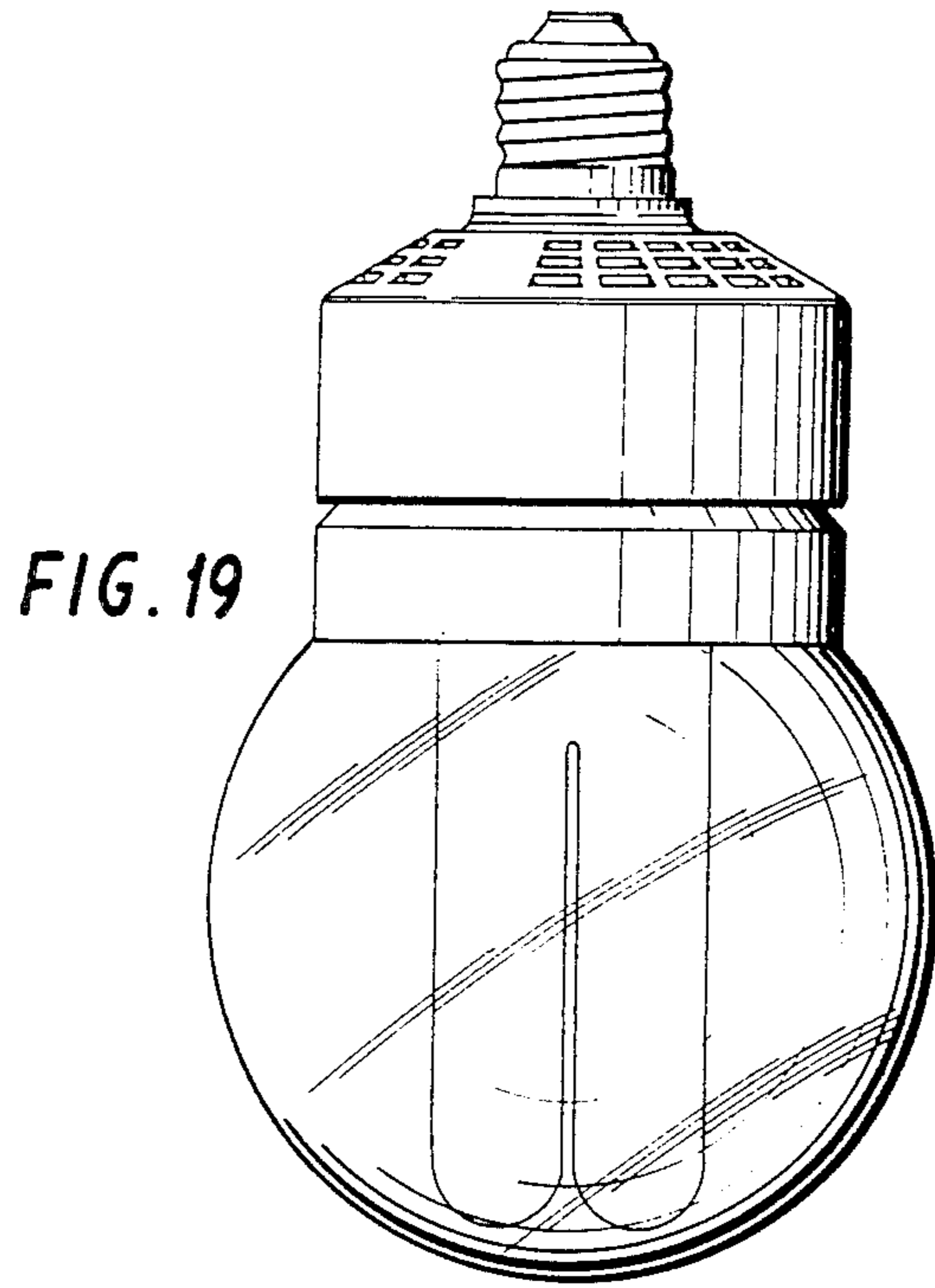
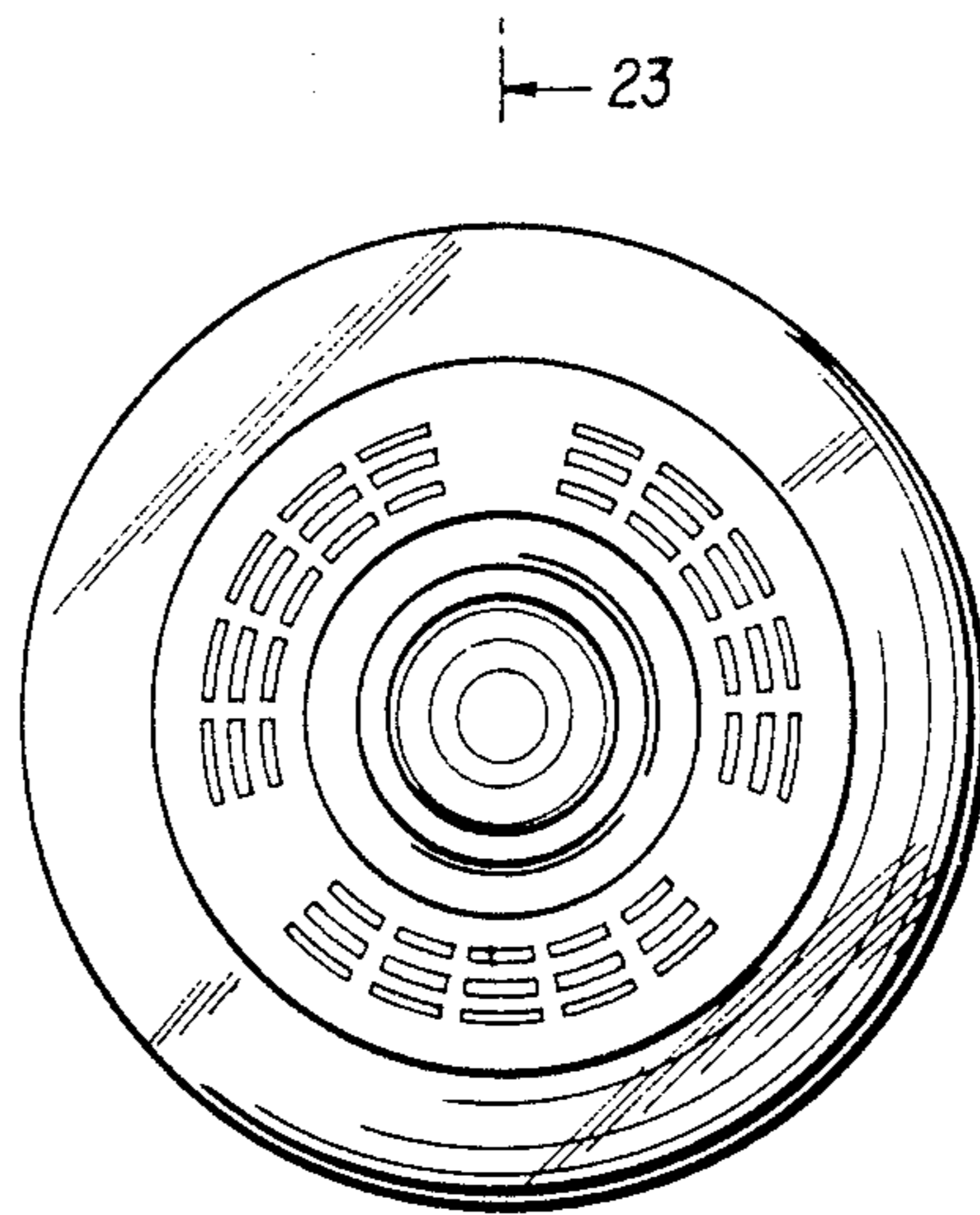
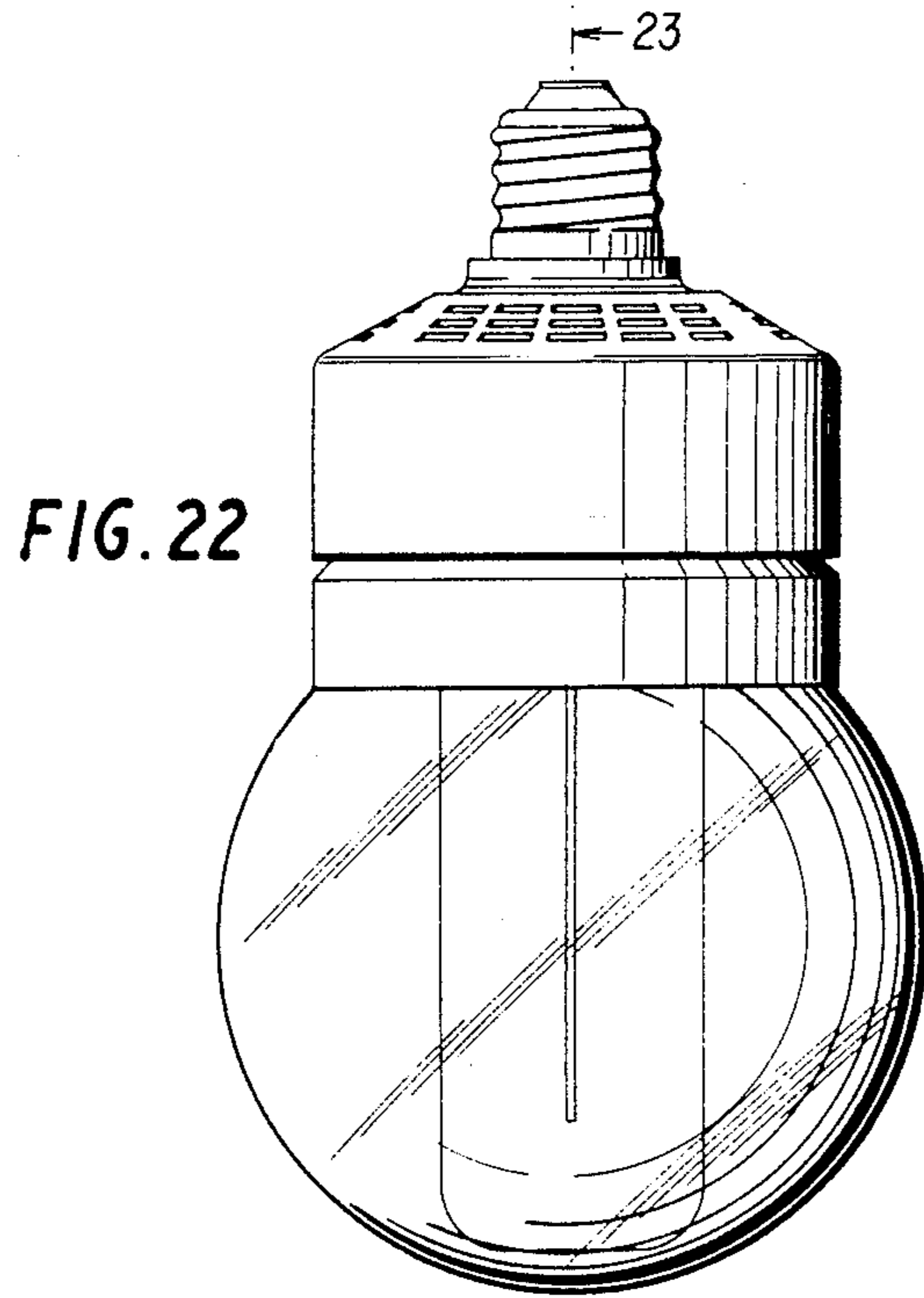


FIG. 18





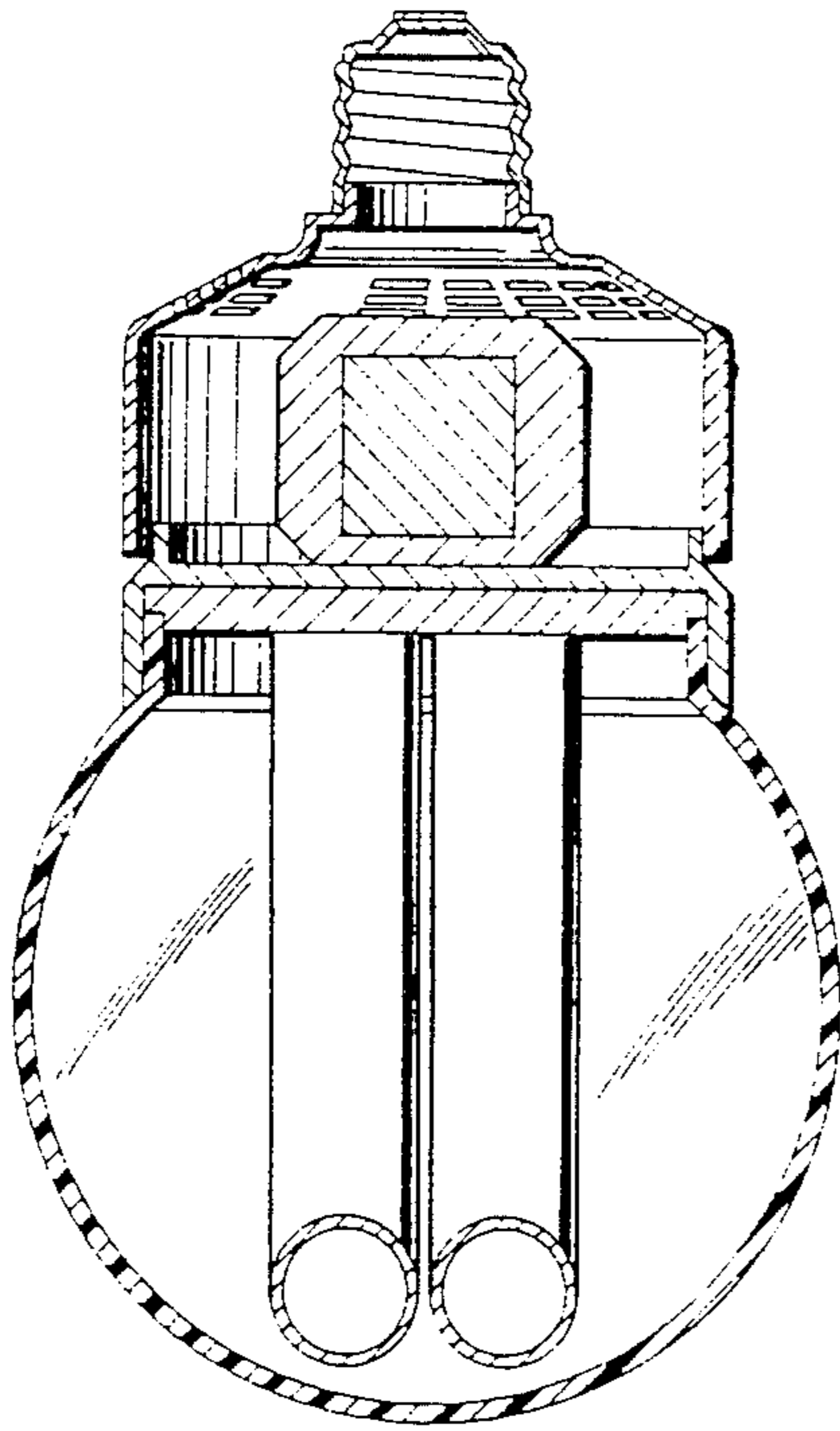


FIG. 23