

[54] COMBINED BUILDING WALL AND DOOR UNIT

[75] Inventors: Phillip R. Juaire, Brooklyn Center; Fredric M. Wagner, Rogers; Leo F. Wildgen, Bloomington, all of Minn.

[73] Assignee: Satellite Industries, Inc., Minneapolis, Minn.

[**] Term: 14 Years

[21] Appl. No.: 480,404

[22] Filed: Mar. 30, 1983

[52] U.S. Cl. D25/48; D25/80

[58] Field of Search 52/309, 455, 382; 161/39, 41, 42; 47/501, 401; D25/48, 49, 52, 58, 59, 60, 61, 80

[56] References Cited

U.S. PATENT DOCUMENTS

2,889,586	6/1959	Akerberg	D25/48 X
3,054,481	9/1962	Johnson et al.	D25/59 X
3,731,443	5/1973	Zaroor	D25/48 X
4,080,769	3/1978	Borghini	D25/80 X

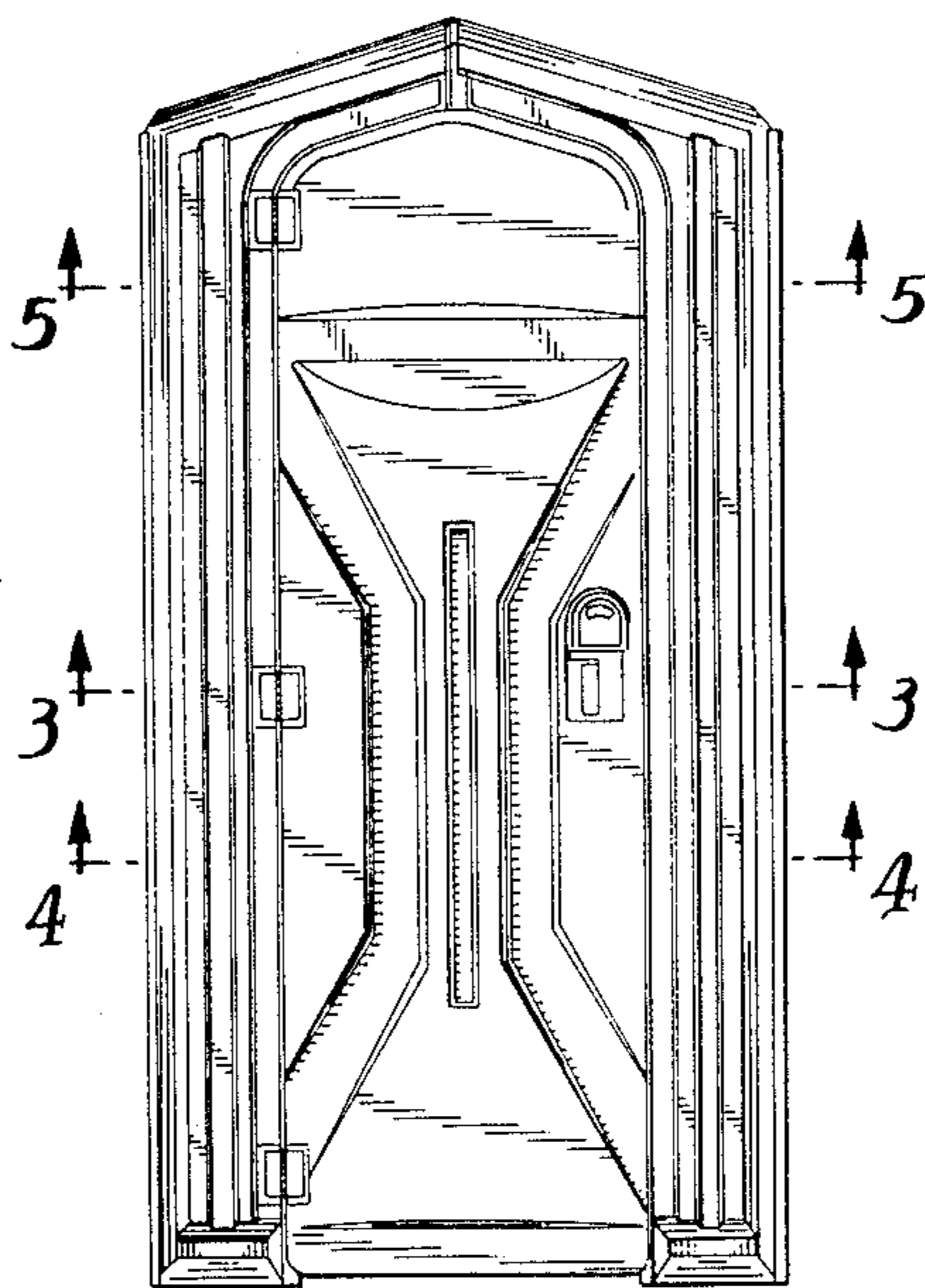
Primary Examiner—A. Hugo Word
Attorney, Agent, or Firm—John C. Barnes

[57] CLAIM

The ornamental design for a combined building wall and door unit, substantially as shown.

DESCRIPTION

FIG. 1 is a front elevational view of a combined building wall and door unit incorporating the new design; FIG. 2 is a rear elevational view thereof; FIG. 3 is a cross-sectional view thereof taken along the line 3—3 of FIG. 1; FIG. 4 is a cross-sectional view thereof taken along the line 4—4 of FIG. 1; and FIG. 5 is a cross-sectional view thereof taken along the line 5—5 of FIG. 1.



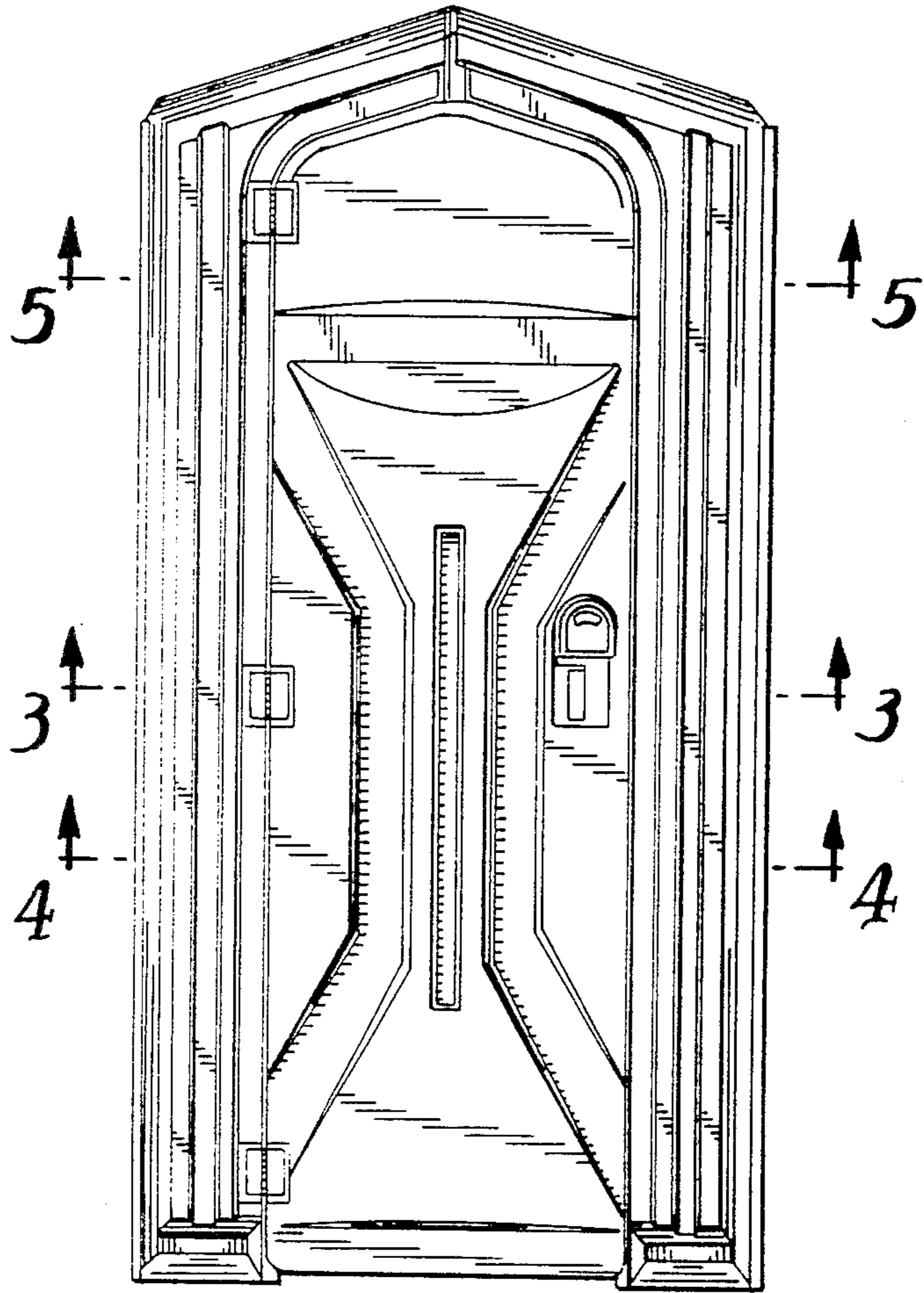


FIG. 1



FIG. 3



FIG. 4

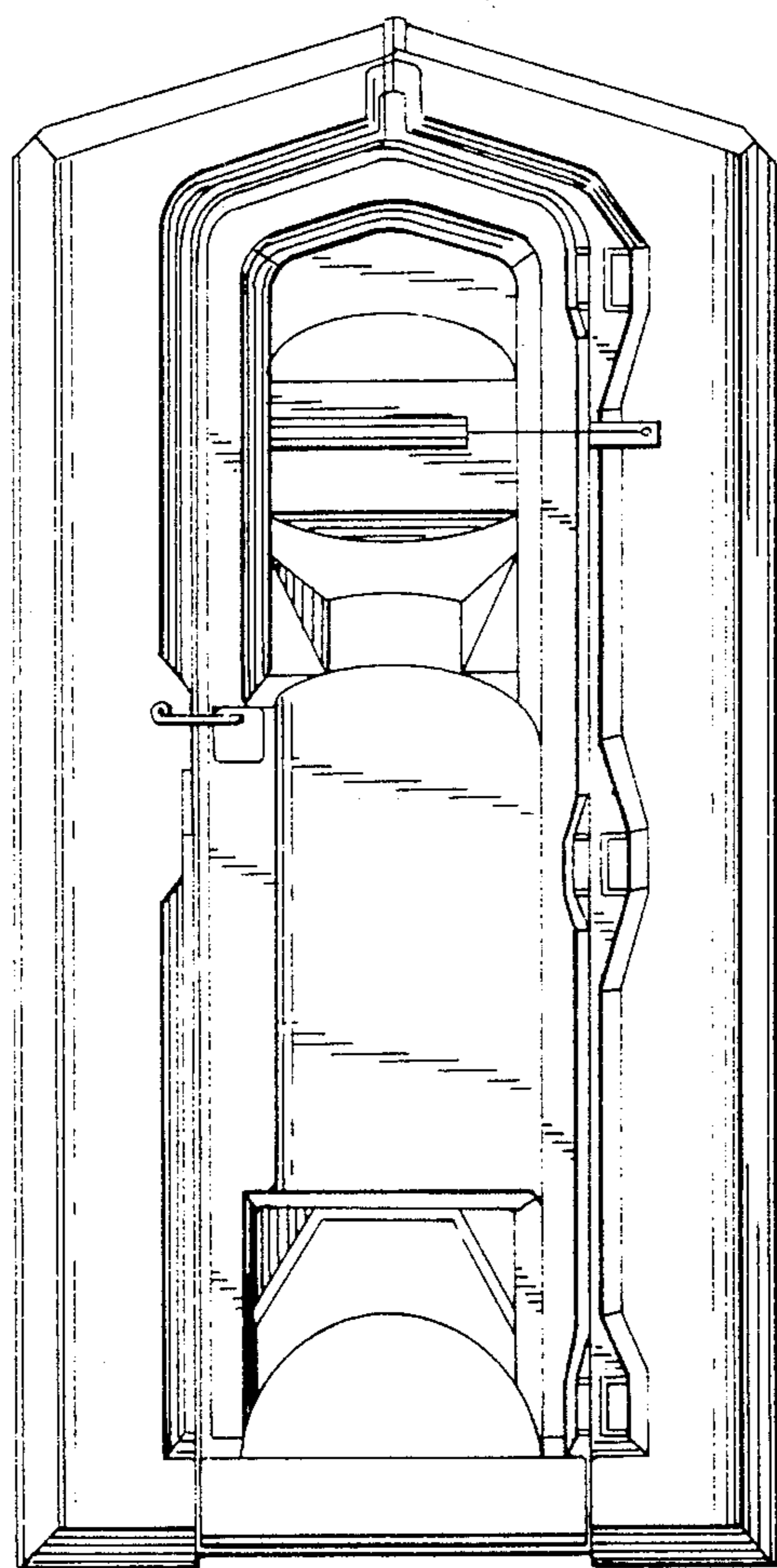


FIG. 2



FIG. 5