

[54] HEADSET FOR ESOPHAGEAL GASTRIC TUBE

3,056,402	10/1962	Dickinson	128/206.27
3,234,940	2/1966	Morton, Jr.	128/206.27
4,018,221	4/1977	Rennie	128/DIG. 26 X
4,373,523	2/1983	Treirletaar	128/207.18

[76] Inventor: Frederick W. Reece, 2929 35th St., Des Moines, Iowa 50310

[**] Term: 14 Years

Primary Examiner—Catherine E. Kemper
Attorney, Agent, or Firm—Henderson & Sturm

[21] Appl. No.: 481,490

[57] CLAIM

[22] Filed: Apr. 1, 1983

The ornamental design for a headset for esophageal gastric tube substantially as shown and described.

[52] U.S. Cl. D24/34

[58] Field of Search 128/344, 152, 204.11, 128/207.13, 207.18, 206.27; 2/171.2, 209, 209.3-209.7; D24/8, 23, 29, 34, 54, 59, 62, 63, 64, 99

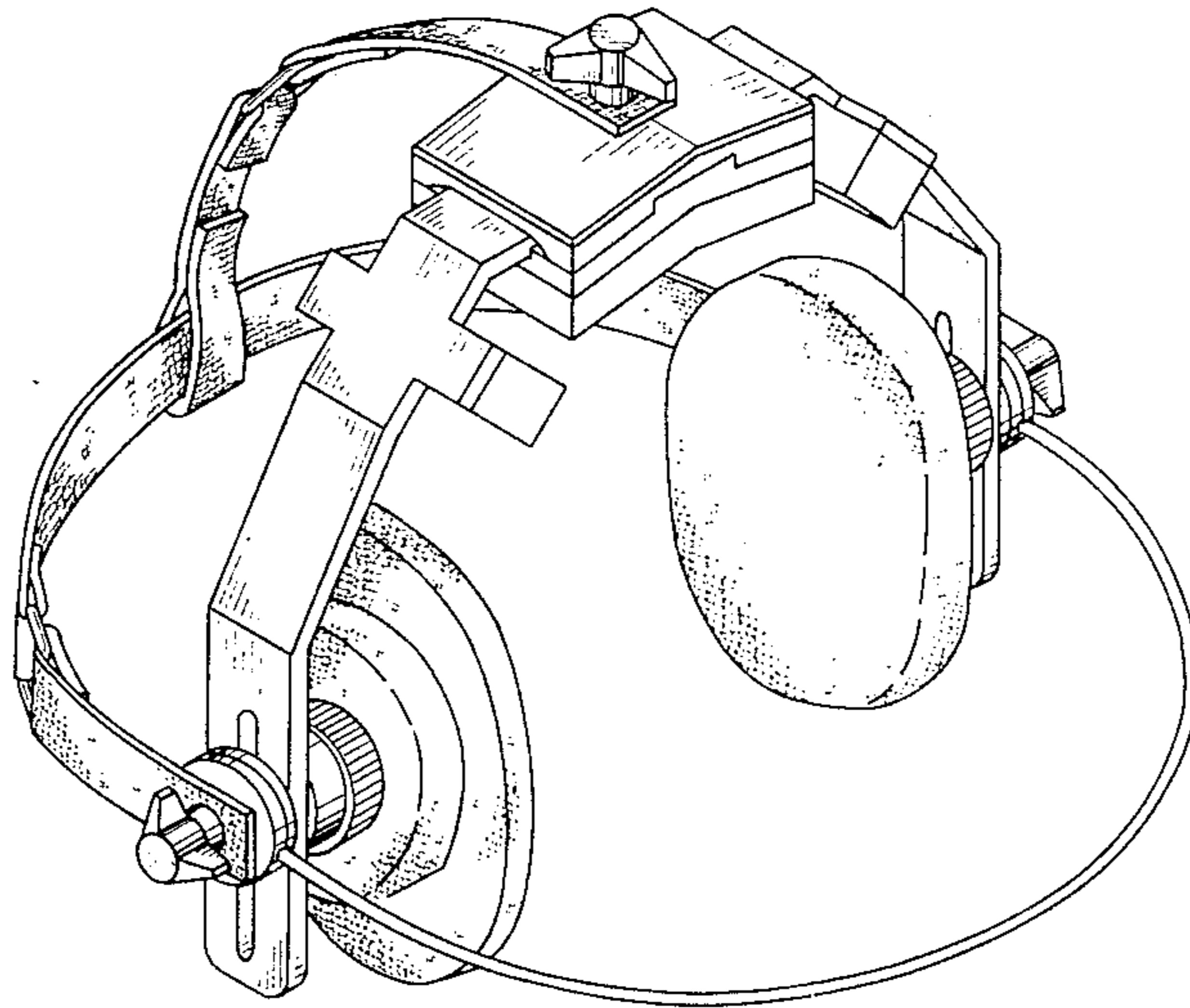
DESCRIPTION

[56] References Cited

U.S. PATENT DOCUMENTS

2,814,293 11/1957 Gabb et al. 128/206.27

FIG. 1 is a perspective view of the headset for esophageal gastric tube, or the like, showing my new design; FIG. 2 is a front elevational view thereof; FIG. 3 is a rear elevational view thereof; FIG. 4 is a side elevational view thereof; FIG. 5 is a bottom plan view thereof; and FIG. 6 is a top plan view thereof.



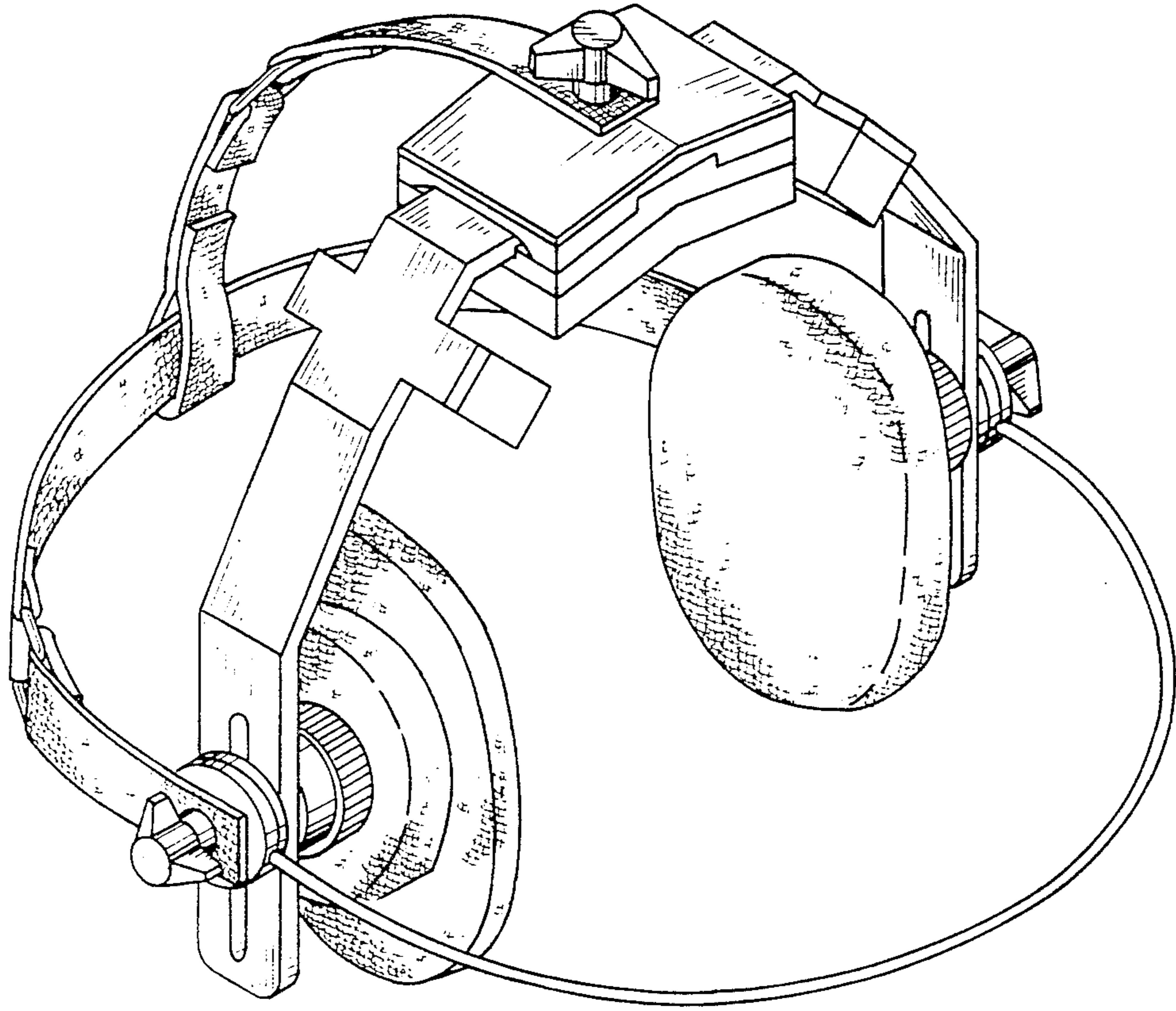


FIG. 1

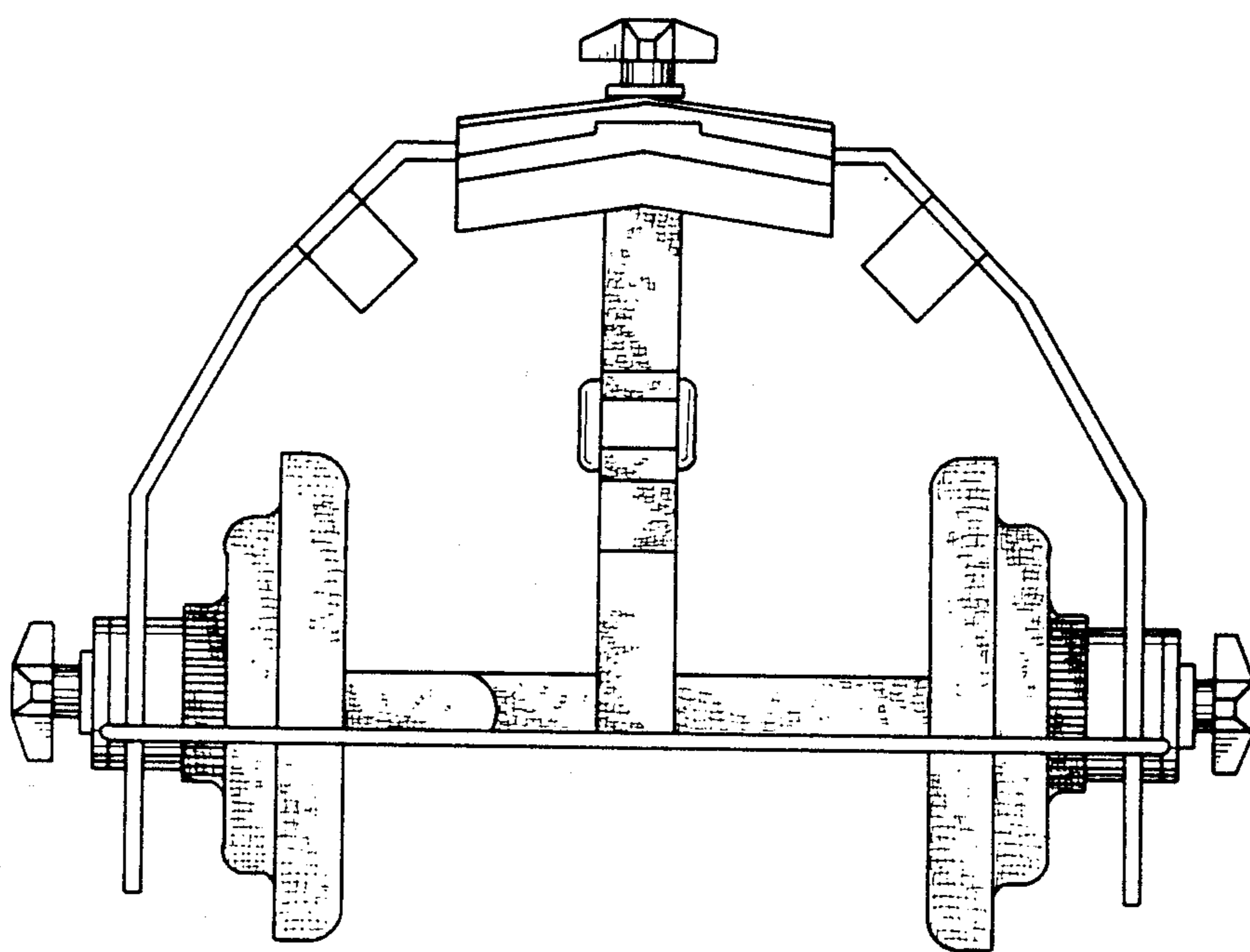


FIG. 2

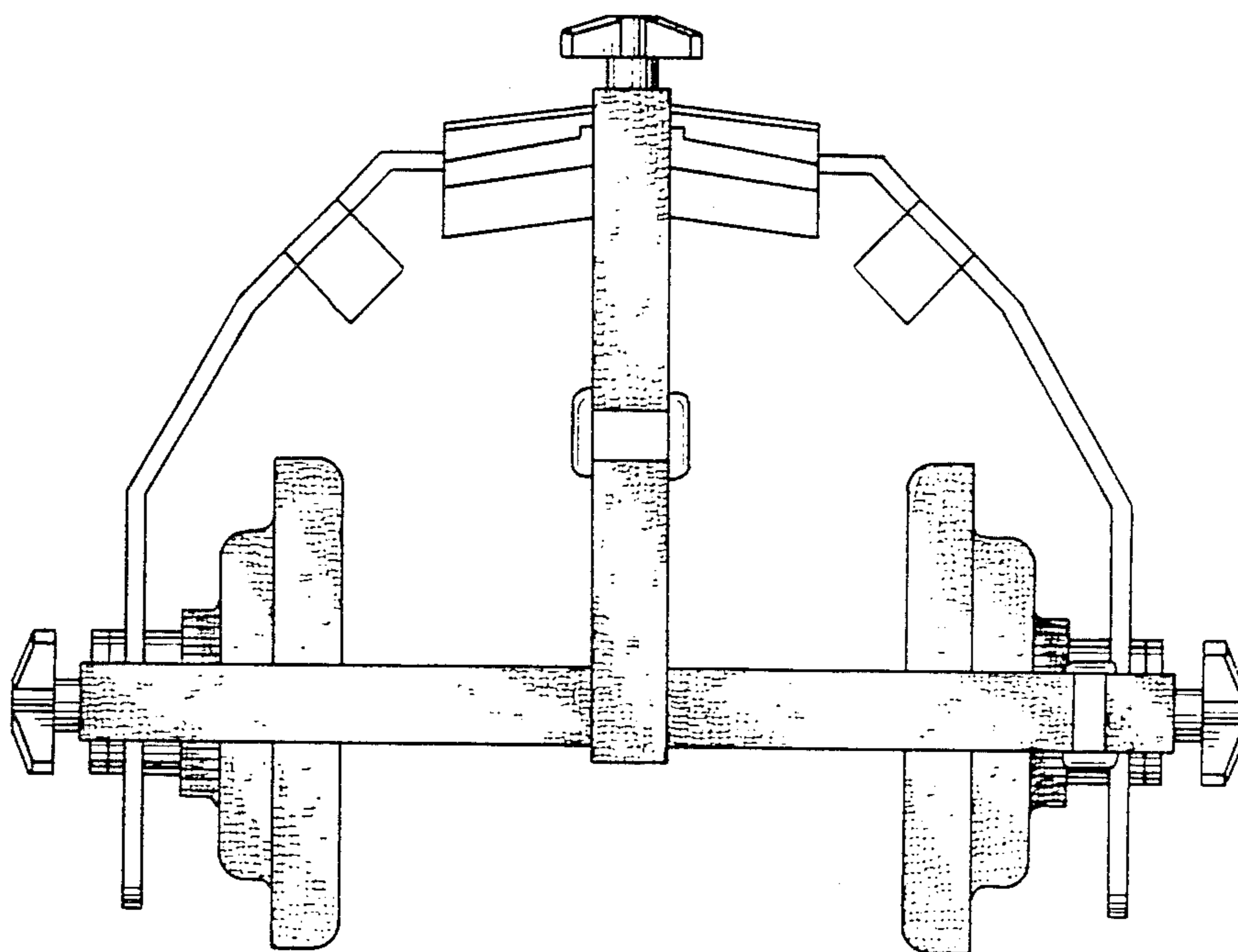
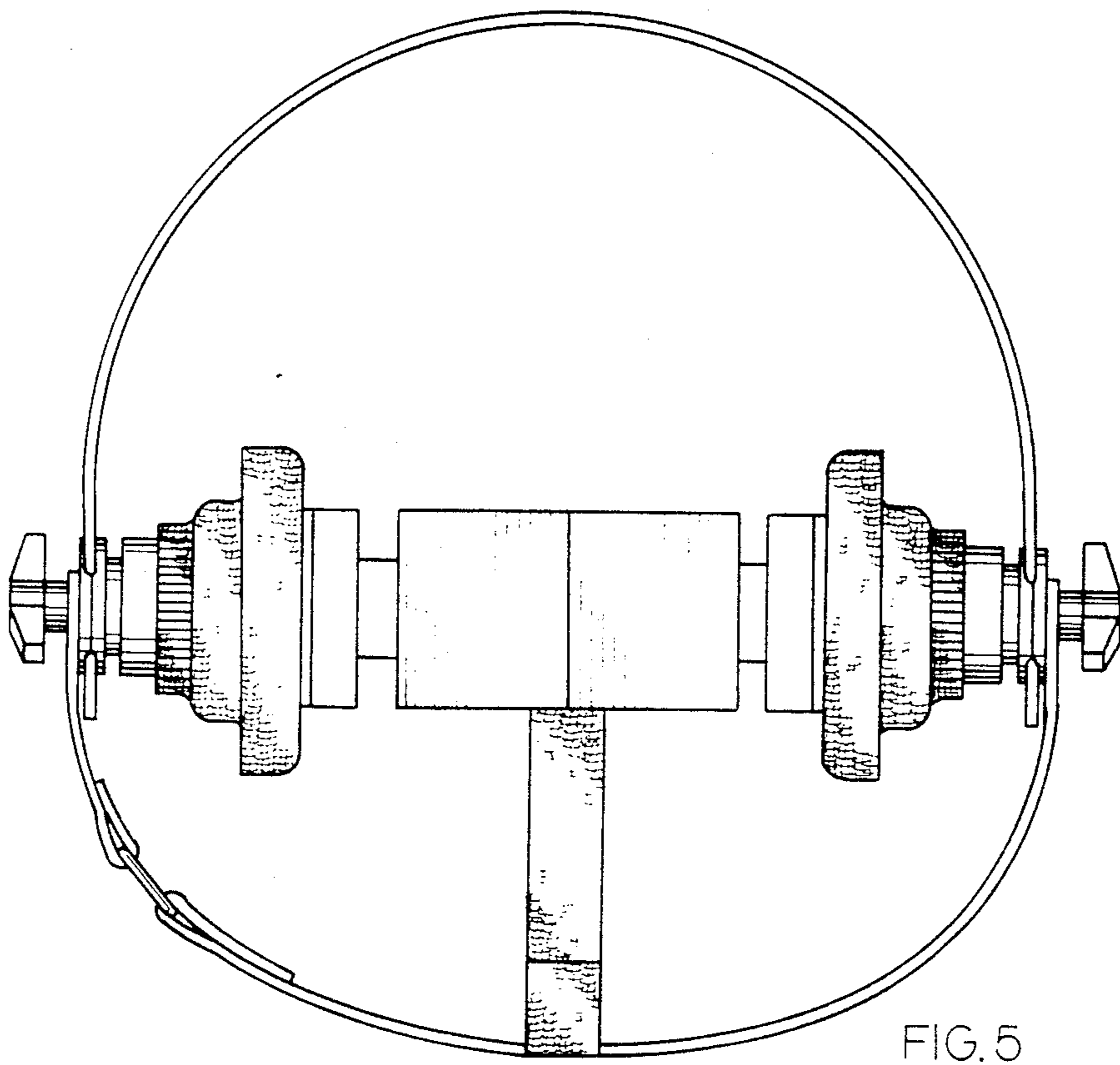
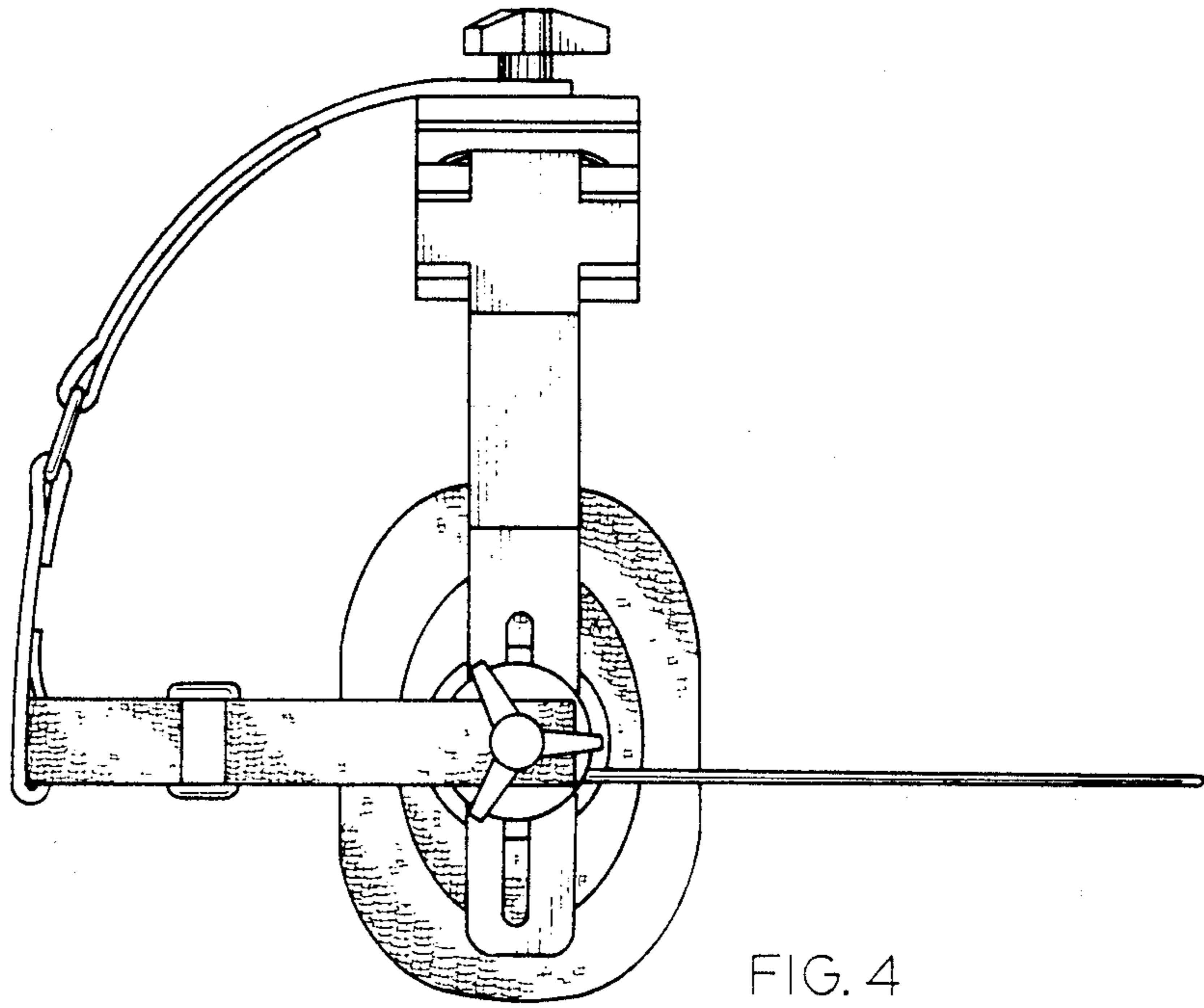


FIG. 3



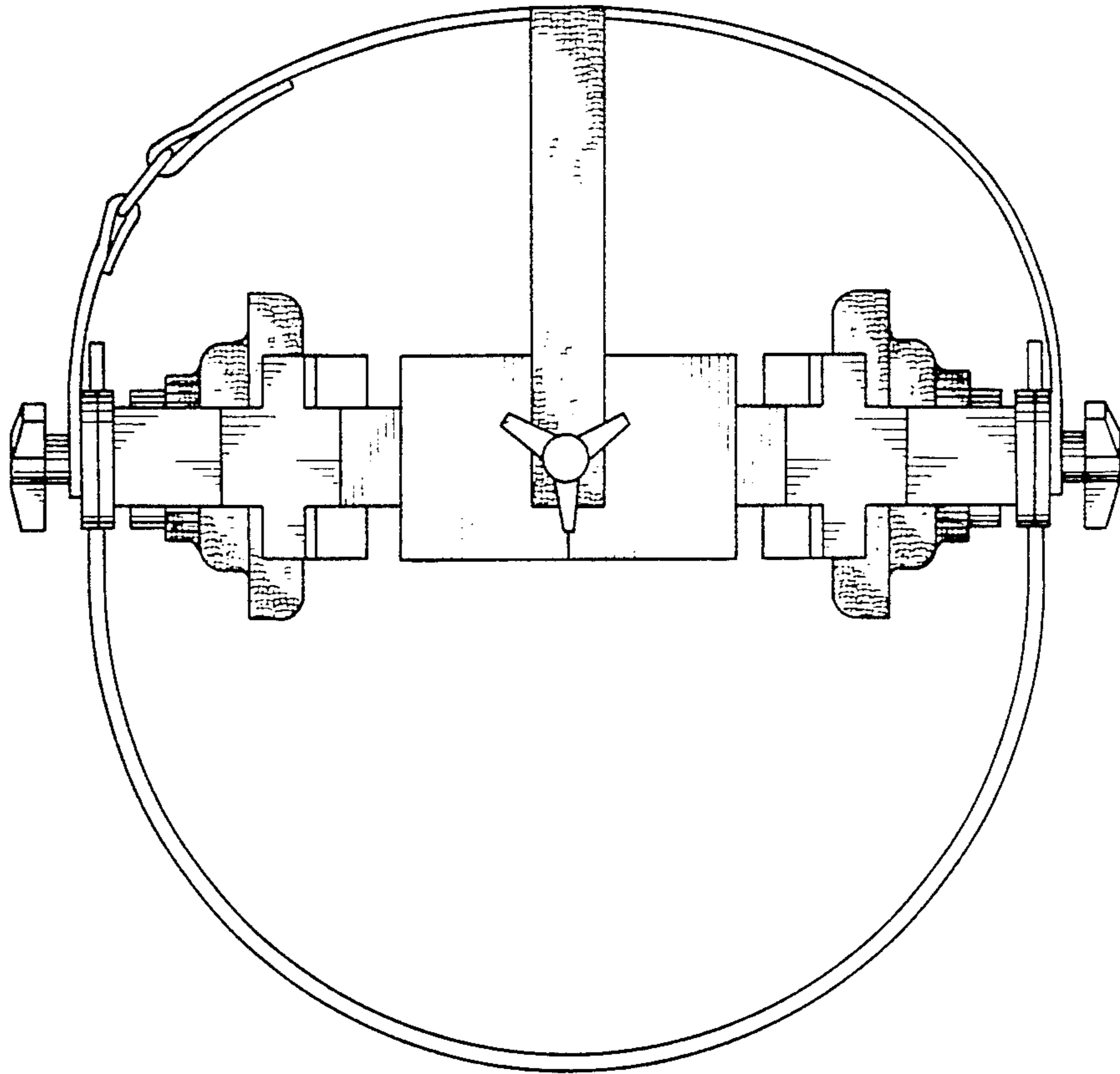


FIG. 6