

[54] EAR STUD GUN

[76] Inventor: Vladimir Reil, 740 W. 16th St., San Pedro, Calif. 90731

[**] Term: 14 Years

[21] Appl. No.: 457,448

[22] Filed: Jan. 12, 1983

[52] U.S. Cl. D24/23; D24/24; D24/28

[58] Field of Search D24/23, 24, 28, 25; D8/14.1; 128/329, 330

[56] References Cited

U.S. PATENT DOCUMENTS

- D. 242,392 11/1976 Moore et al. D24/23
- 4,079,740 3/1978 Phalon 128/330
- 4,146,032 3/1979 Rubenstein et al. 128/330

Primary Examiner—A. Hugo Word

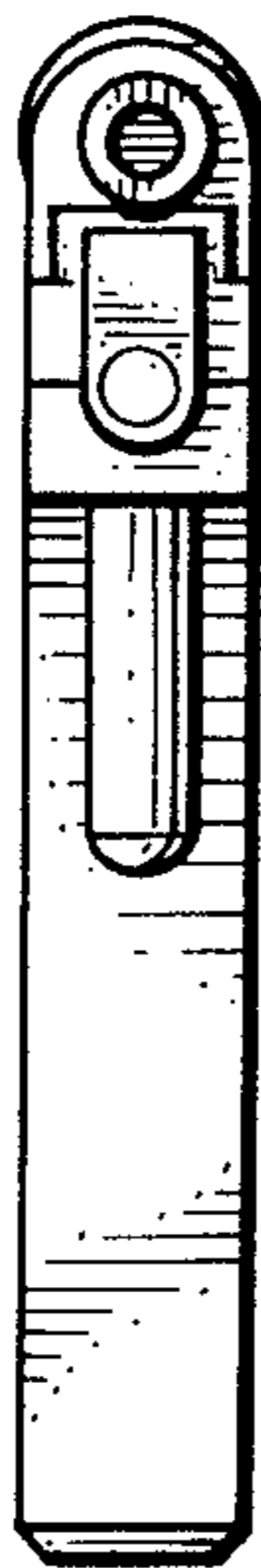
Assistant Examiner—Stella M. Reid
Attorney, Agent, or Firm—Cislo, O'Reilly & Thomas

[57] CLAIM

The ornamental design for an ear stud gun, as shown and described.

DESCRIPTION

FIG. 1 is a front elevational view of an ear stud gun showing my new design;
 FIG. 2 is a side elevational view thereof;
 FIG. 3 is a rear elevational view thereof;
 FIG. 4 is a top plan view thereof;
 FIG. 5 is a bottom plan view thereof;
 FIG. 6 is a front elevational view similar to FIG. 1 of an alternate design;
 FIG. 7 is a side elevational view of FIG. 6;
 FIG. 8 is a rear elevational view of FIG. 7;
 FIG. 9 is a top plan view of FIG. 7; and
 FIG. 10 is a bottom plan view of FIG. 7.



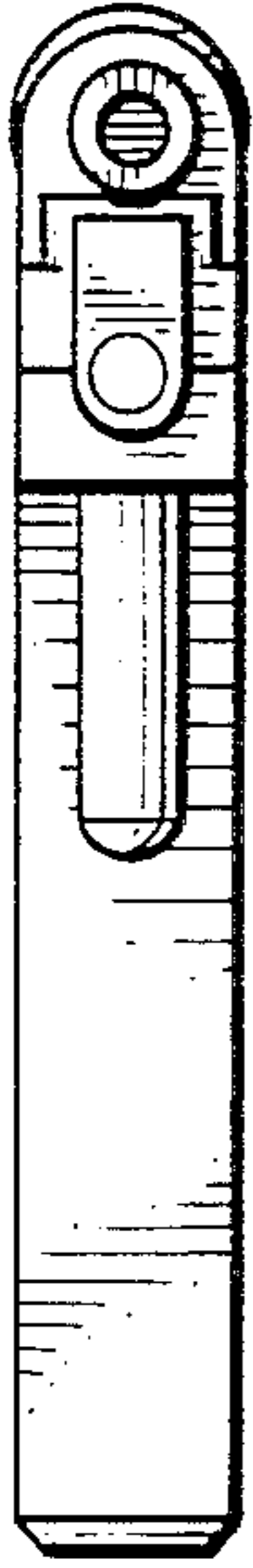


Fig. 1.

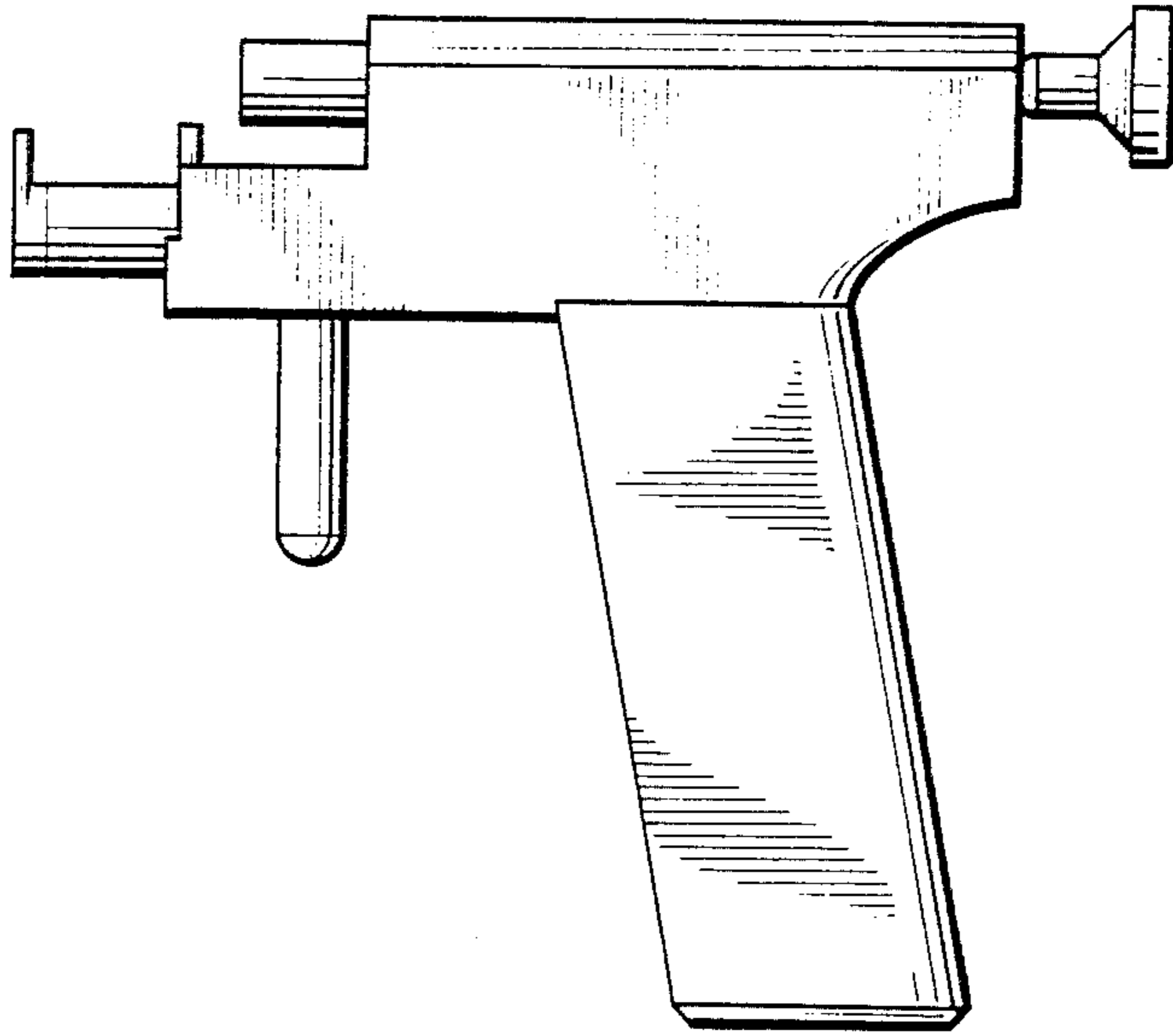


Fig. 2.

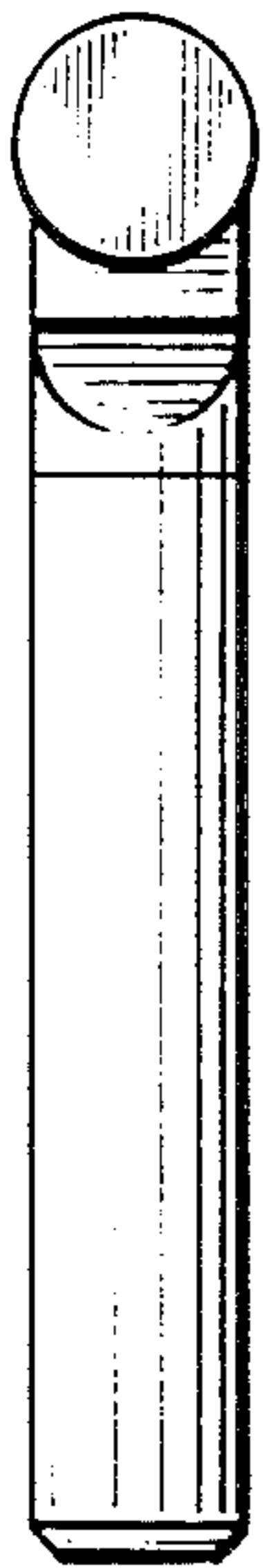


Fig. 3.

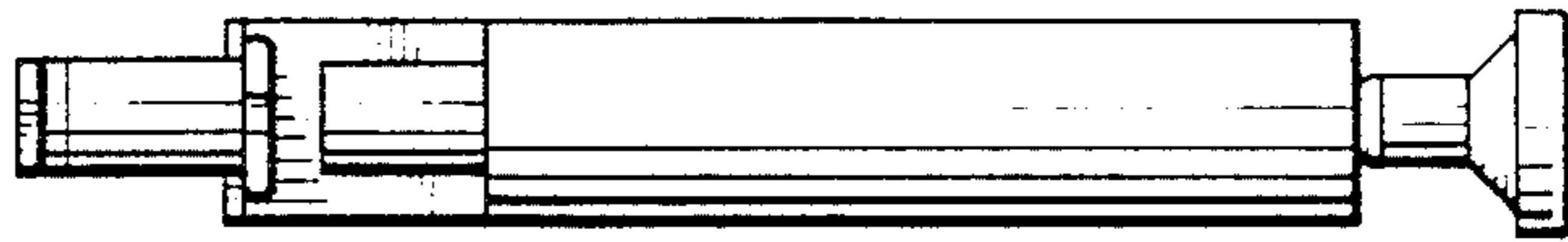


Fig. 4.



Fig. 5.

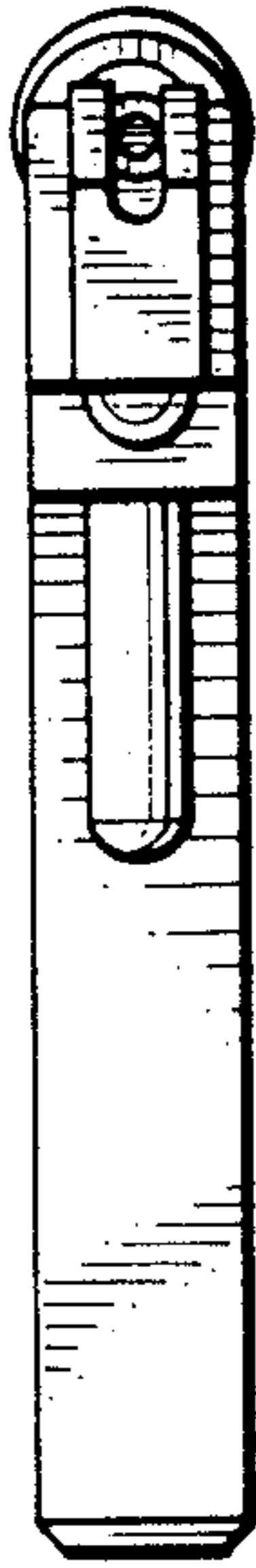


Fig. 6.

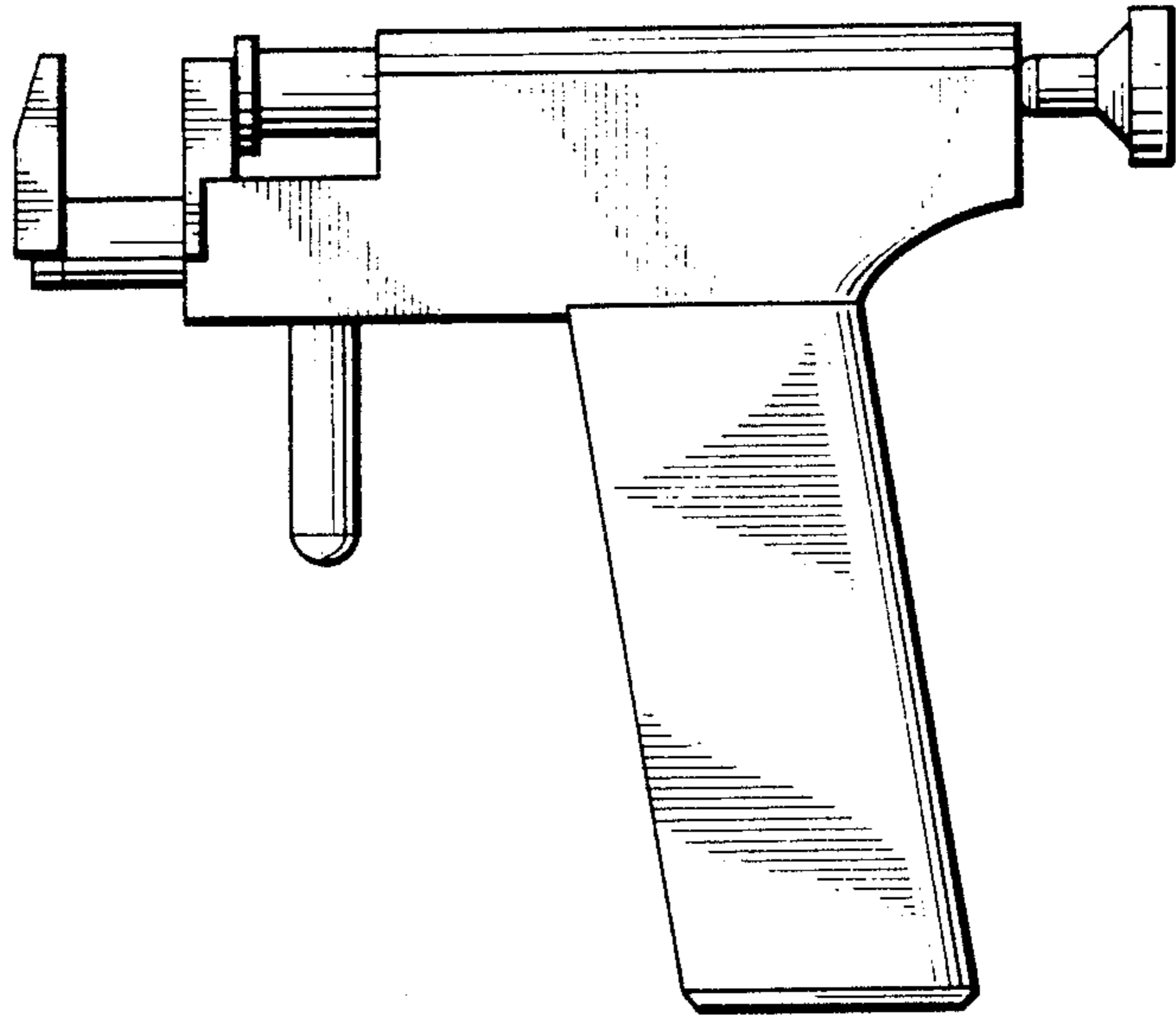


Fig. 7.

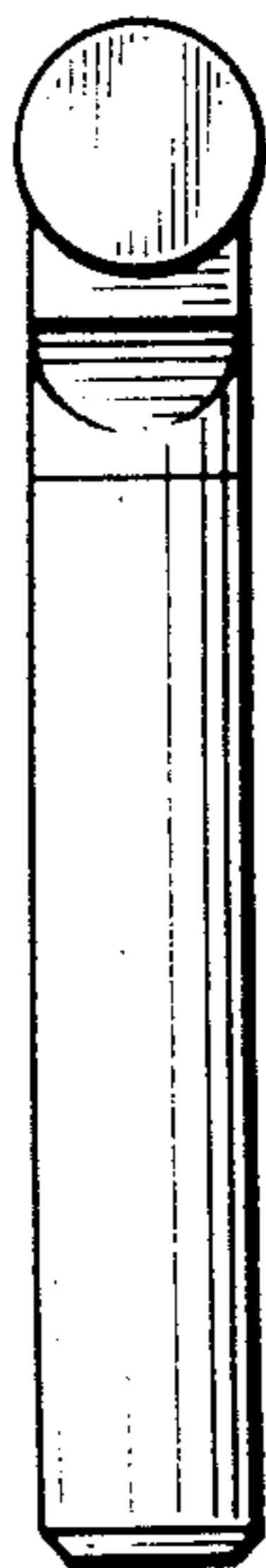


Fig. 8.

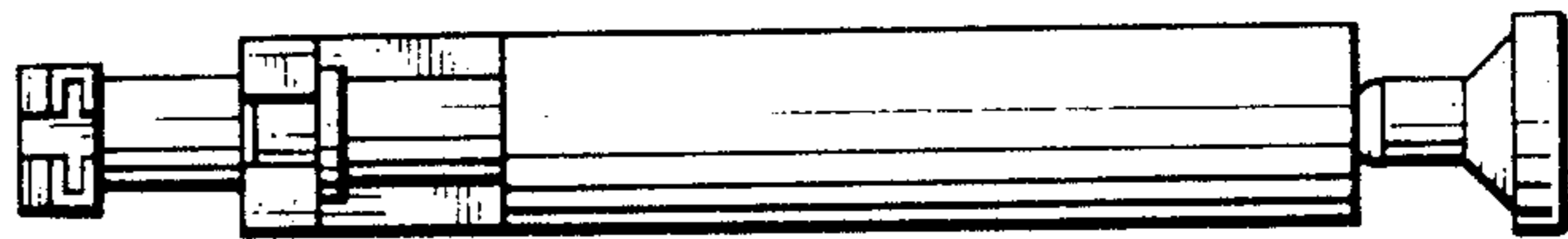


Fig. 9.



Fig. 10.