

[54] DIGITAL ELECTRONIC BLOOD PRESSURE METER

[75] Inventor: Murray I. C. Camens, Groningen, Netherlands

[73] Assignee: U.S. Philips Corporation, New York, N.Y.

[**] Term: 14 Years

[21] Appl. No.: 460,332

[22] Filed: Jan. 24, 1983

[30] Foreign Application Priority Data

Aug. 6, 1982 [JP] Japan 57-35511

[52] U.S. Cl. D24/21

[58] Field of Search D24/21, 17; 128/672, 128/677-683, 900; D10/46, 57, 75, 78

[56] References Cited

U.S. PATENT DOCUMENTS

D. 251,775 5/1979 Schmidt et al. D24/17 X

D. 256,099 7/1980 Schmidt et al. D10/46
D. 262,994 2/1982 Holler, Jr. et al. D24/17 X
D. 273,325 4/1984 MacQuignon D24/17
D. 273,986 5/1984 Johnson D24/17
D. 274,936 7/1984 Sonney D24/17

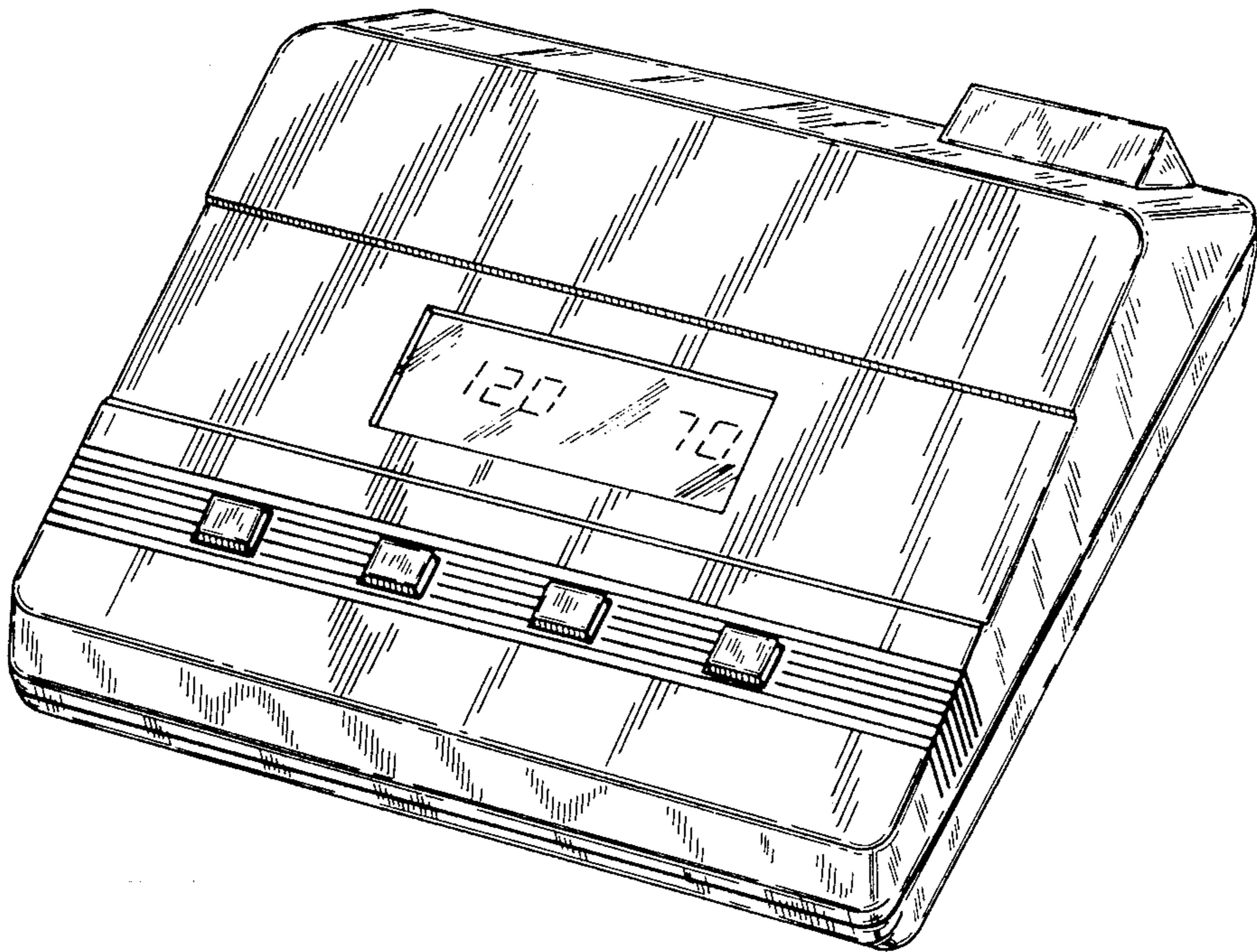
Primary Examiner—Wallace R. Burke
Assistant Examiner—Stella Reid
Attorney, Agent, or Firm—Rolf E. Schneider

[57] CLAIM

The ornamental design for a digital electronic blood pressure meter, as shown.

DESCRIPTION

FIG. 1 is a front, top and right side perspective view of a digital electronic blood pressure meter, showing my new design;
FIG. 2 is a front elevational view thereof;
FIG. 3 is a rear elevational view thereof;
FIG. 4 is a top plan view thereof;
FIG. 5 is a bottom plan view thereof;
FIG. 6 is a right side elevational view thereof; and
FIG. 7 is a left side elevational view thereof.



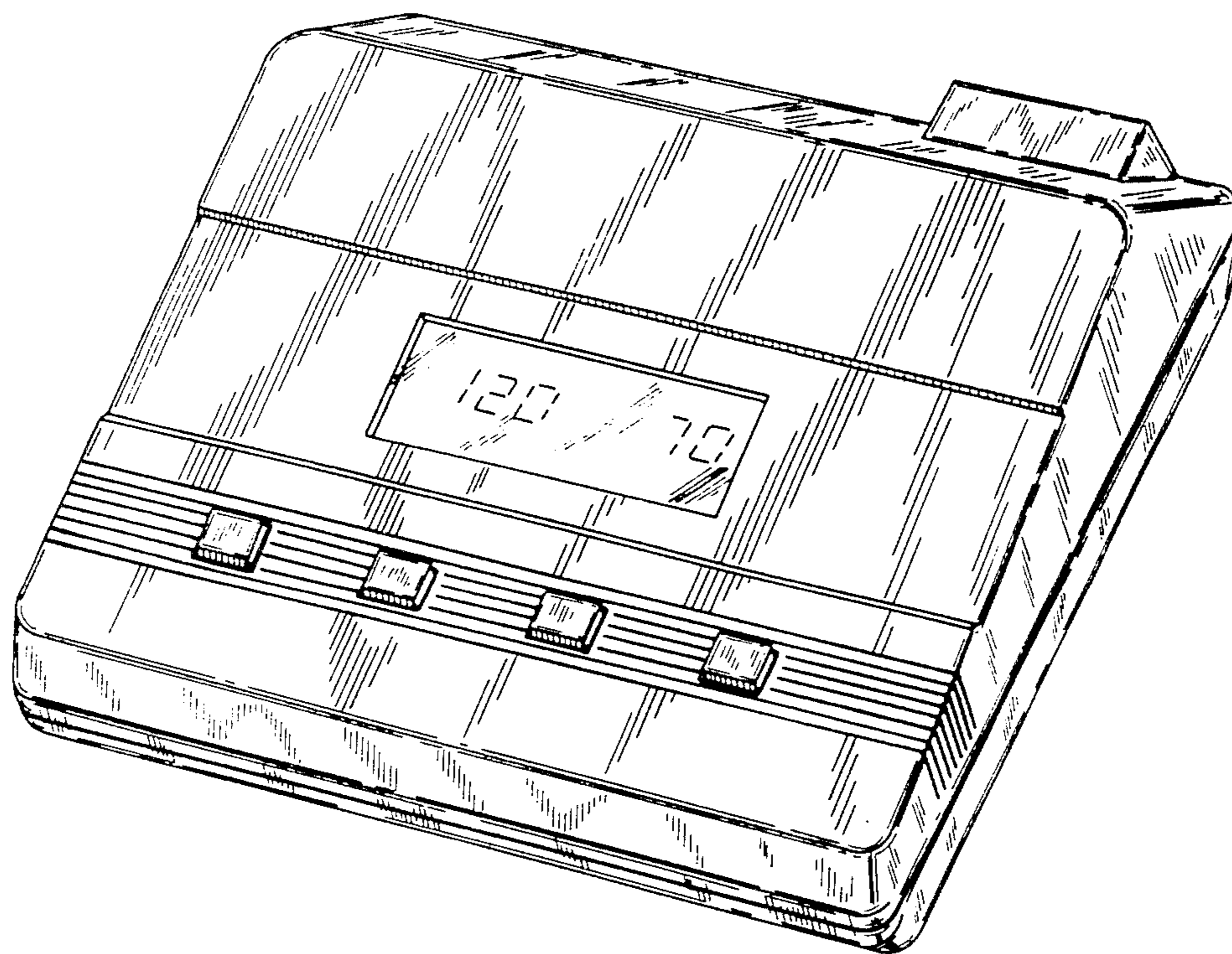


FIG. 1

FIG. 2

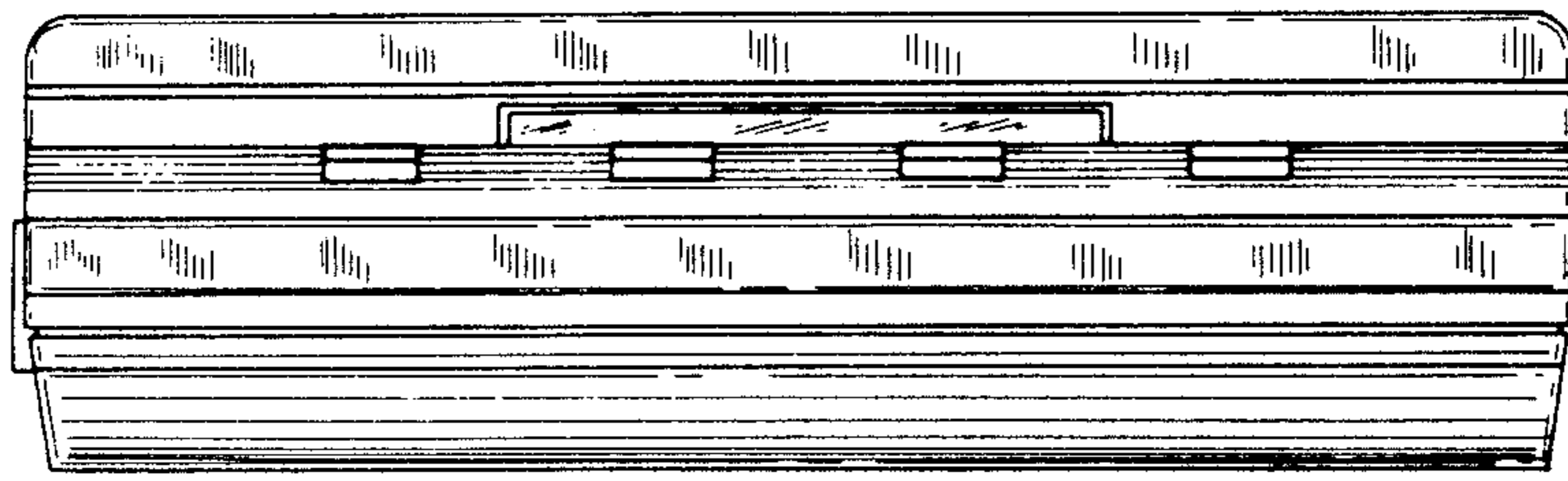


FIG. 3

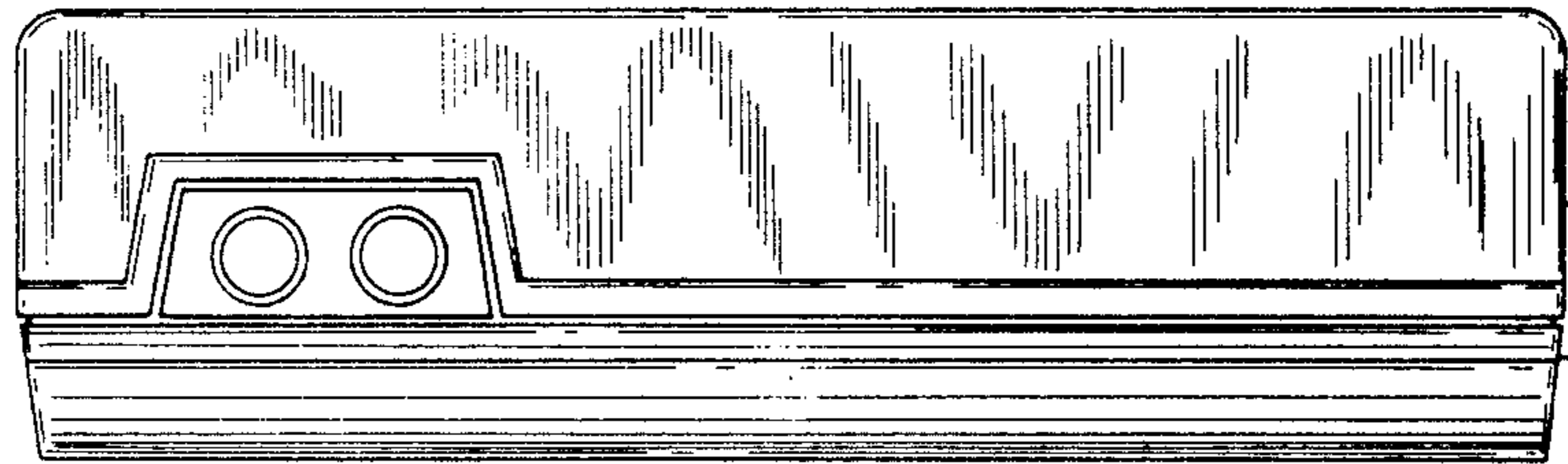


FIG. 4

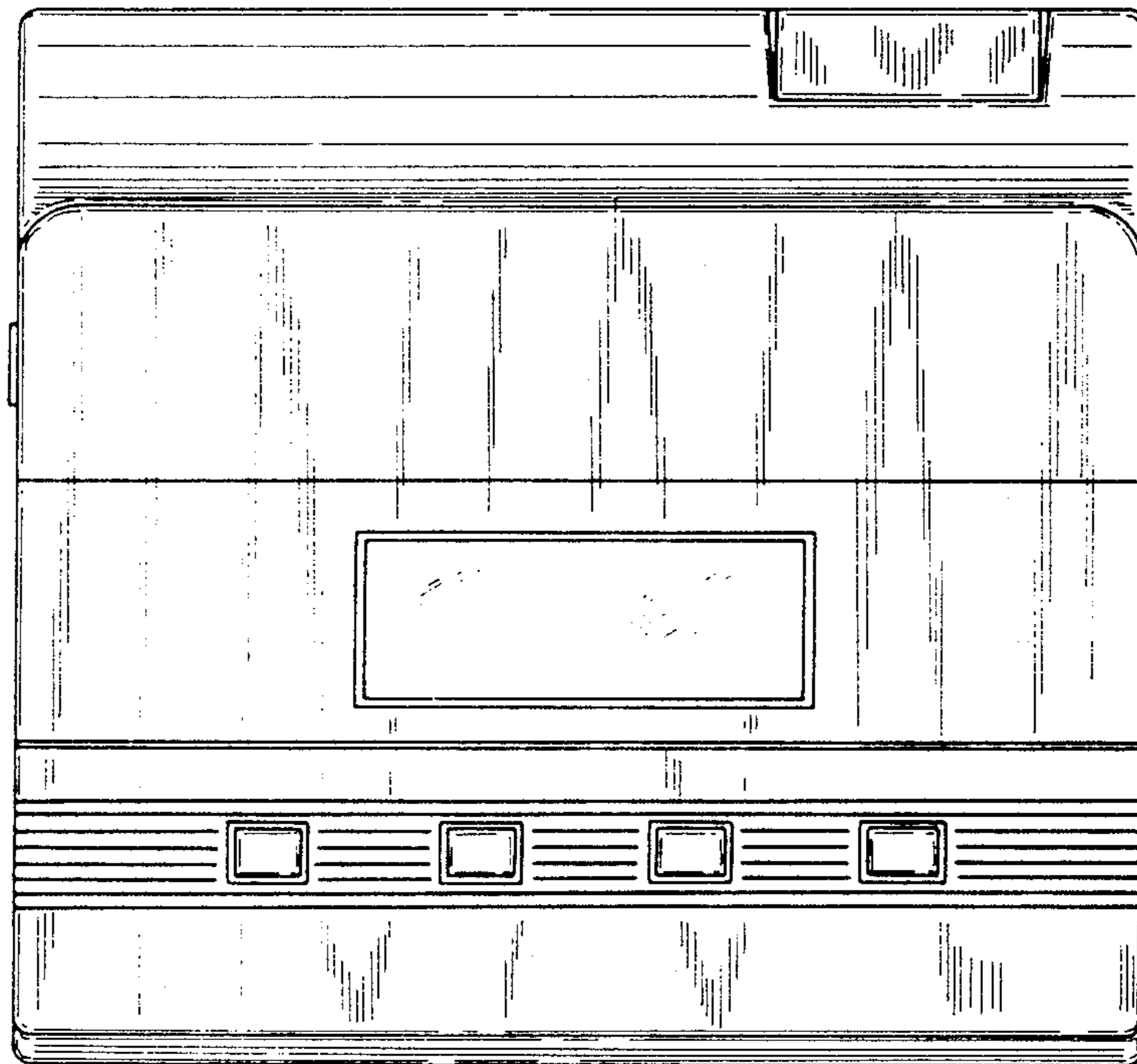


FIG. 5

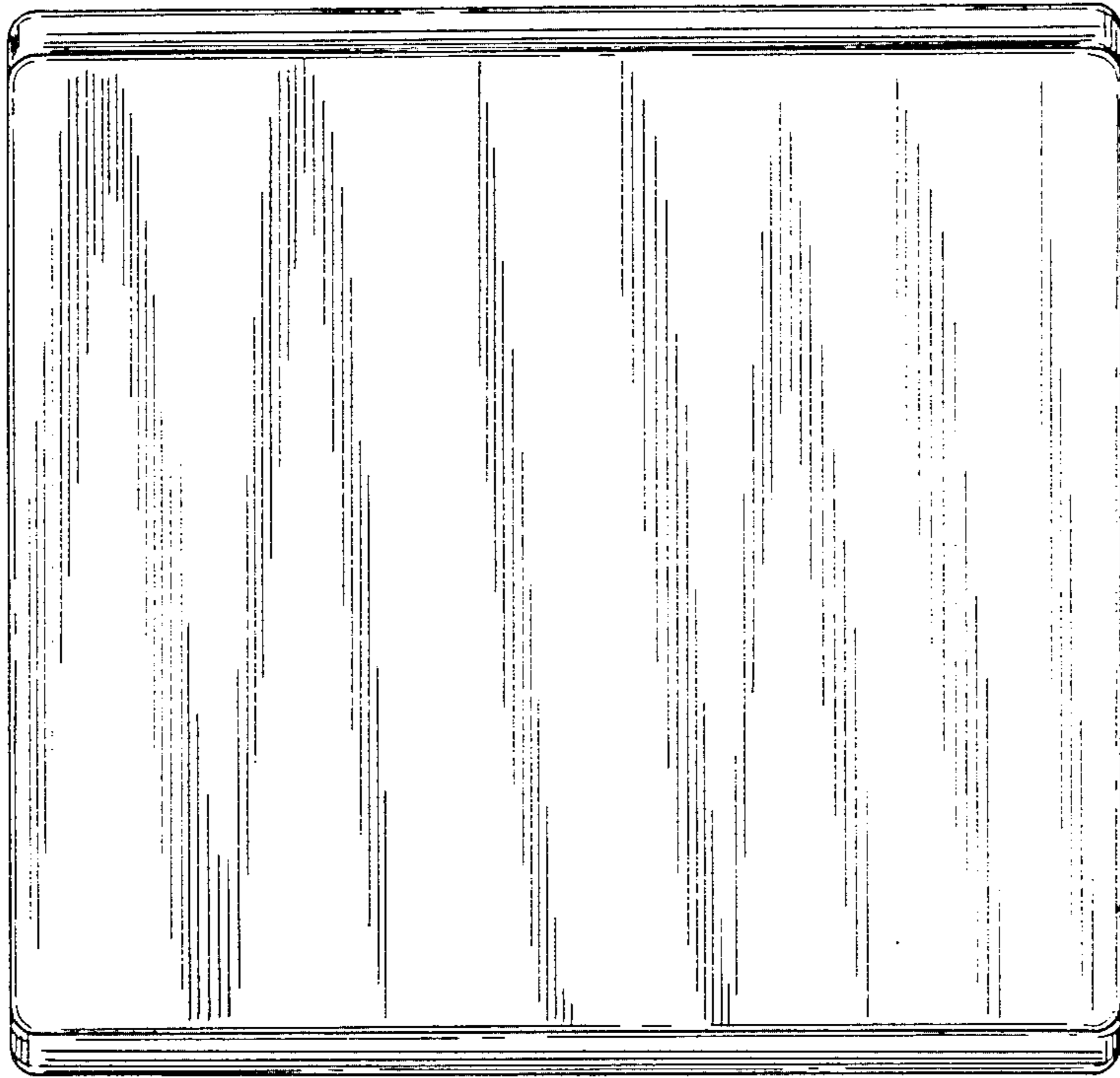


FIG. 6

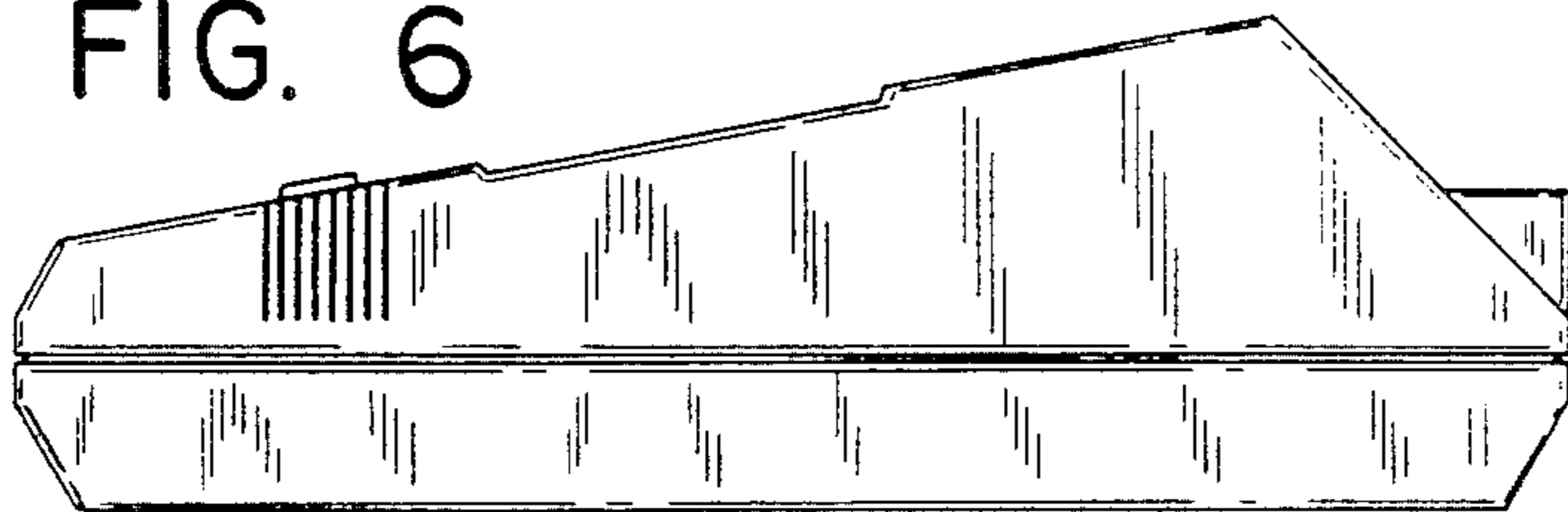


FIG. 7

