

[54] DEVICE FOR METERED DISPENSING OF DENTAL COMPOUNDS

[75] Inventor: Alexander Neumeister, Munich, Fed. Rep. of Germany

[73] Assignee: ESPE Fabrik pharmazeutischer Praeparate GmbH, Fed. Rep. of Germany

[**] Term: 14 Years

[21] Appl. No.: 491,180

[22] Filed: May 3, 1983

[30] Foreign Application Priority Data

Nov. 4, 1982 [DE] Fed. Rep. of Germany 11 AR 3701/82

[52] U.S. Cl. D24/10

[58] Field of Search 433/80-90; 604/224, 227, 233; 222/390, 191, 470; D24/10

[56] References Cited

U.S. PATENT DOCUMENTS

D. 256,160 7/1980 Fujitaki et al. D24/10
642,640 2/1900 Smith 222/390

795,270	7/1905	Damon	433/90
1,027,216	5/1912	Sapp	604/224
1,418,263	5/1922	Kennedy	222/390
2,421,711	6/1947	Moots et al.	222/390
2,573,547	10/1951	Crowell	433/90
2,859,751	11/1958	Stroop	604/227
3,993,064	11/1976	McCarthy et al.	604/224

Primary Examiner—Catherine E. Kemper
Attorney, Agent, or Firm—Barnes & Thornburg

[57] CLAIM

The ornamental design for a device for metered dispensing of dental compounds, as shown and described.

DESCRIPTION

FIG. 1 is a side elevational view of a device for metered dispensing of dental compounds, showing my new design;
FIG. 2 is a front elevational view thereof;
FIG. 3 is a rear elevational view thereof;
FIG. 4 is a top plan view thereof;
FIG. 5 is a bottom plan view thereof;
FIG. 6 is a side elevational view thereof with a front cap removed;
FIG. 7 is a front elevational view thereof with a front cap removed.

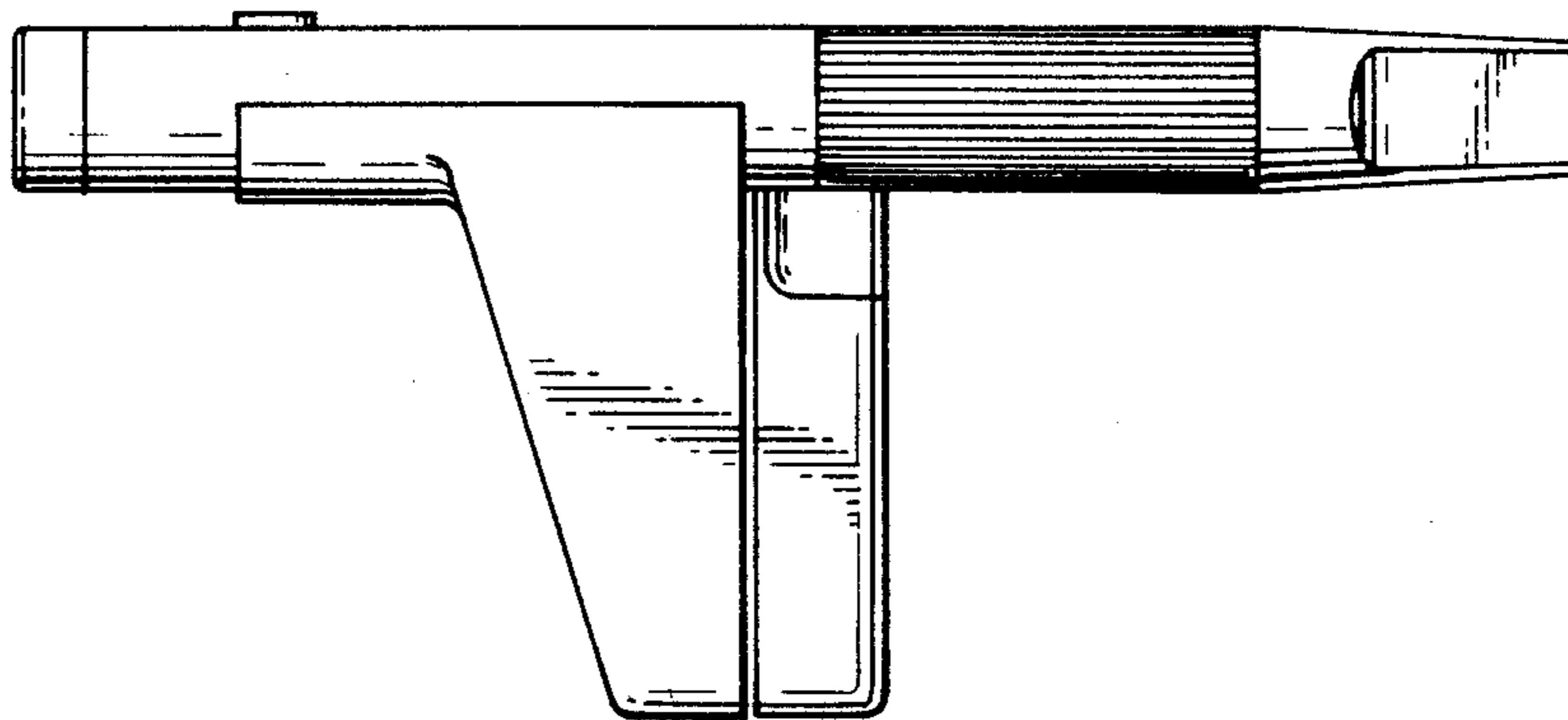


FIG. 1.

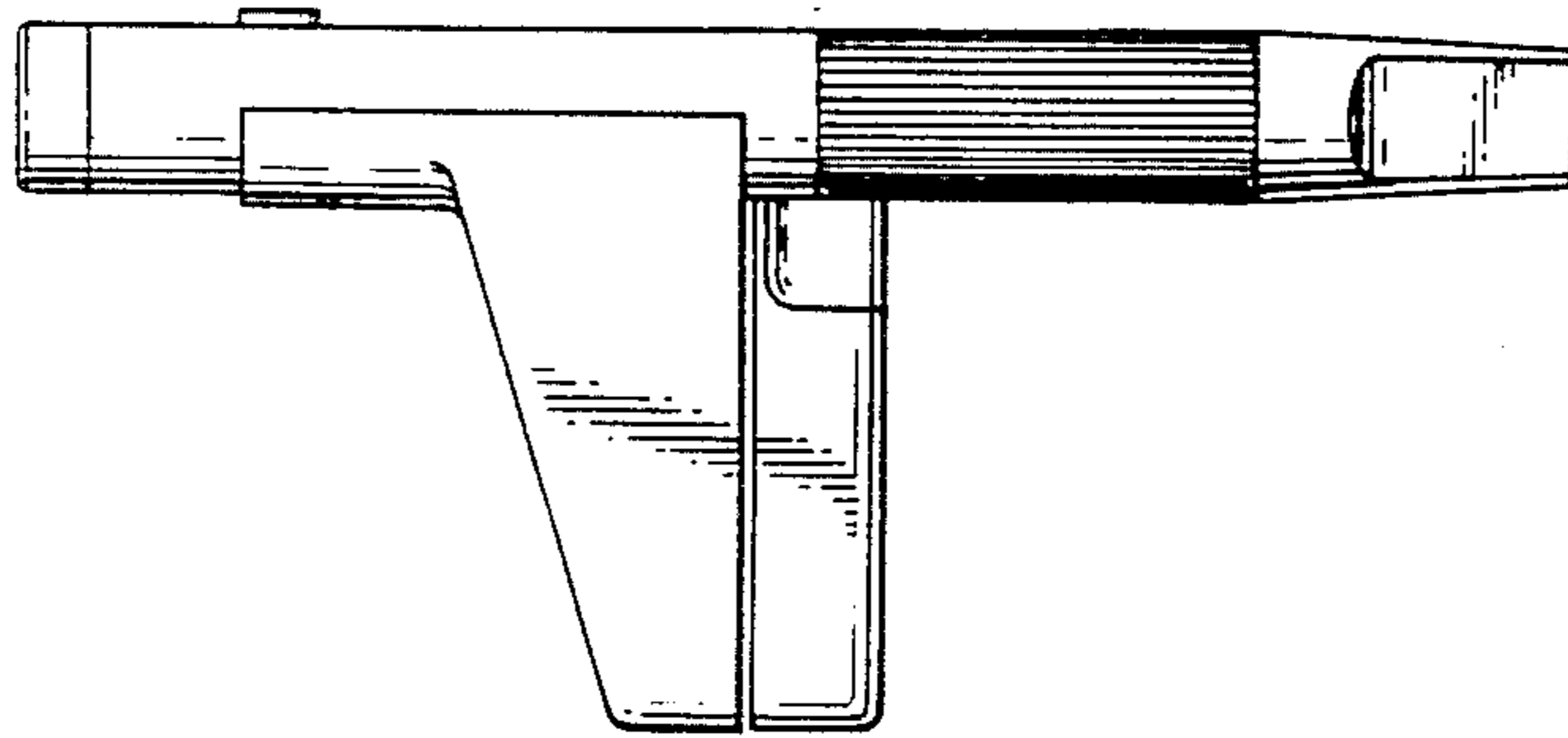


FIG. 2.

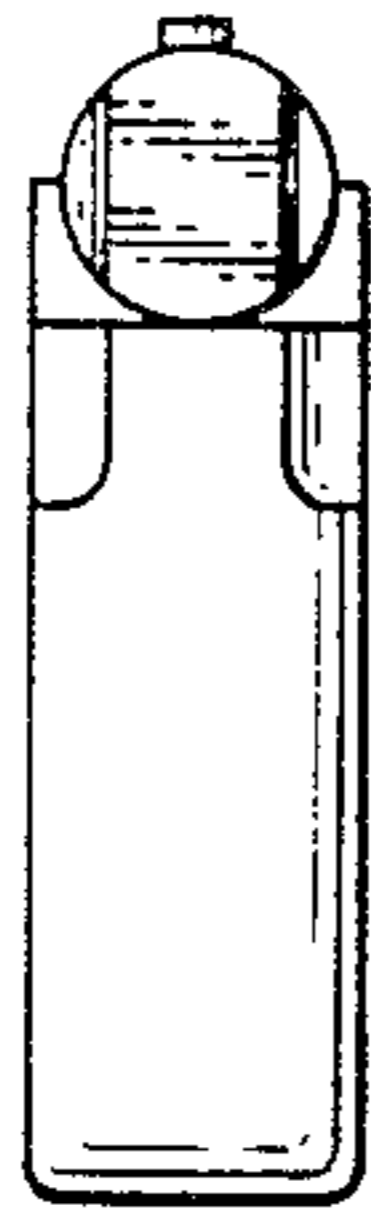


FIG. 3.

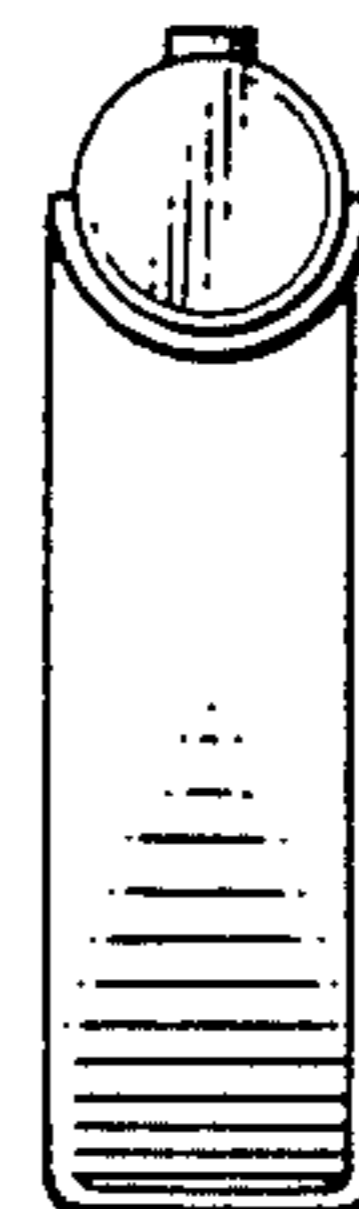


FIG. 4.



FIG. 5.

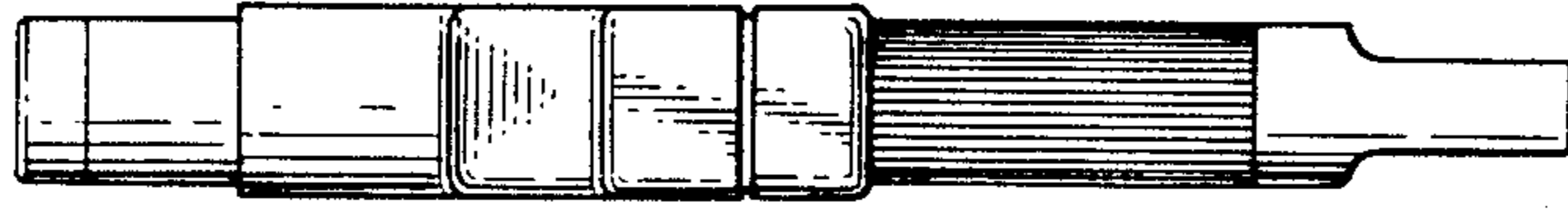


FIG. 6.

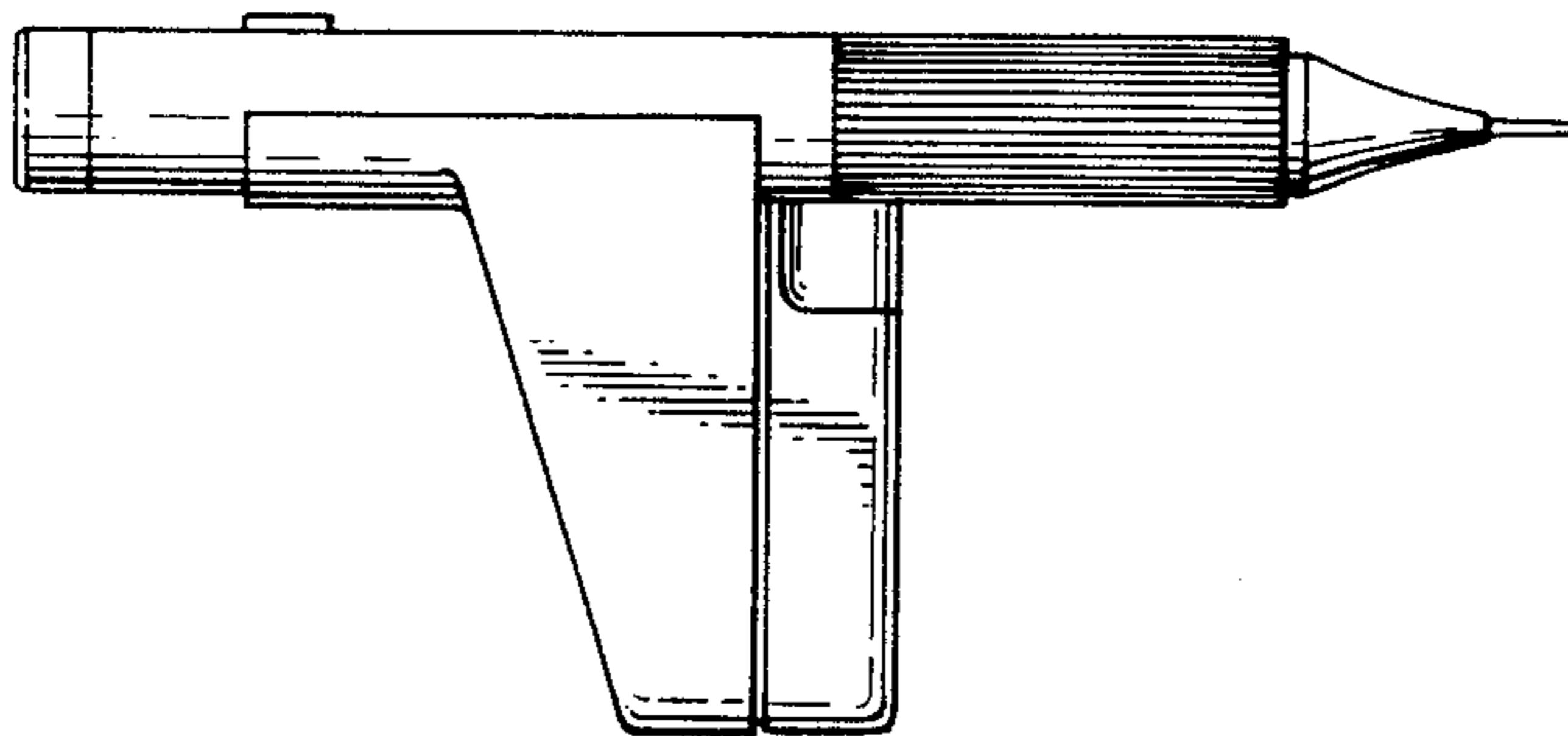


FIG. 7.

