

[54] PLATFORM FOR REHABILITATION EXERCISE AND THERAPY

[75] Inventor: Charlton A. Floyd, Sr., Hopkins, S.C.

[73] Assignee: J. A. Preston Corporation, Clifton, N.J.

[**] Term: 14 Years

[21] Appl. No.: 535,189

[22] Filed: Sep. 23, 1983

[52] U.S. Cl. D24/3; D6/480; D6/482; D21/191; D21/235

[58] Field of Search D24/1.1, 3, 34, 36, D24/64, 99; D6/480, 482, 484; D21/191, 193, 235; 272/93, 144; 269/322, 328; 128/24 R, 25 R, 68, 70

[56] References Cited

U.S. PATENT DOCUMENTS

- D. 165,584 1/1952 Johnson D6/482
- D. 166,360 4/1952 Shinn D6/482

- D. 218,943 10/1970 Culliss D6/482
- D. 222,192 10/1971 Piere D24/3
- D. 249,360 9/1978 Lacock 269/322 X
- D. 250,043 10/1978 Shine D24/3
- 4,333,638 6/1982 Gillotti 269/322

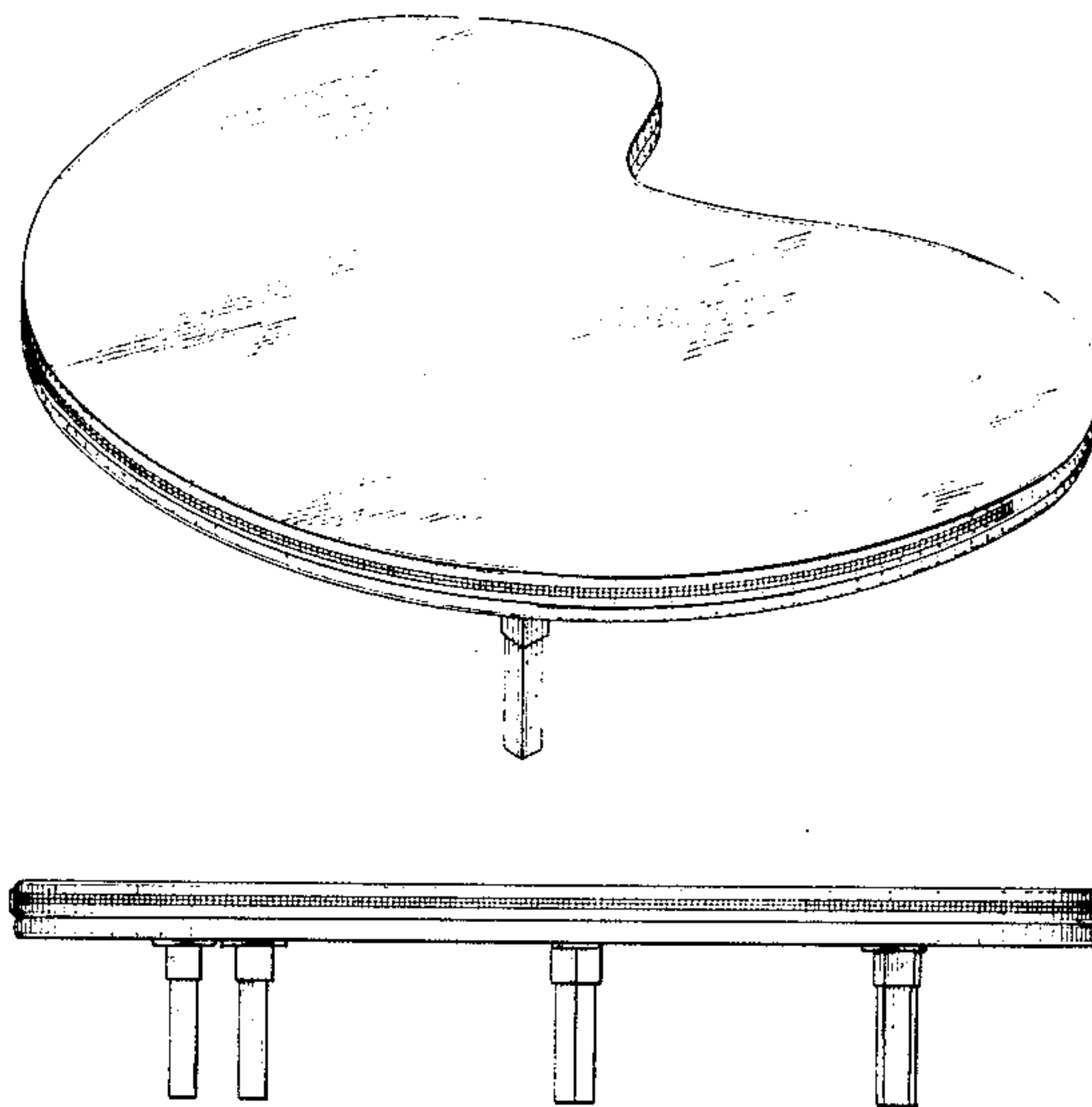
Primary Examiner—Catherine E. Kemper
Attorney, Agent, or Firm—Blum Kaplan Friedman
Silberman & Beran

[57] CLAIM

The ornamental design for a platform for rehabilitation exercise and therapy, as shown.

DESCRIPTION

FIG. 1 is a perspective view of a platform for rehabilitation exercise and therapy showing my new design;
 FIG. 2 is a front elevational view thereof;
 FIG. 3 is a side elevational view taken from the right of FIG. 2;
 FIG. 4 is a side elevational view taken from the left of FIG. 2;
 FIG. 5 is a rear elevational view;
 FIG. 6 is a bottom plan view thereof.



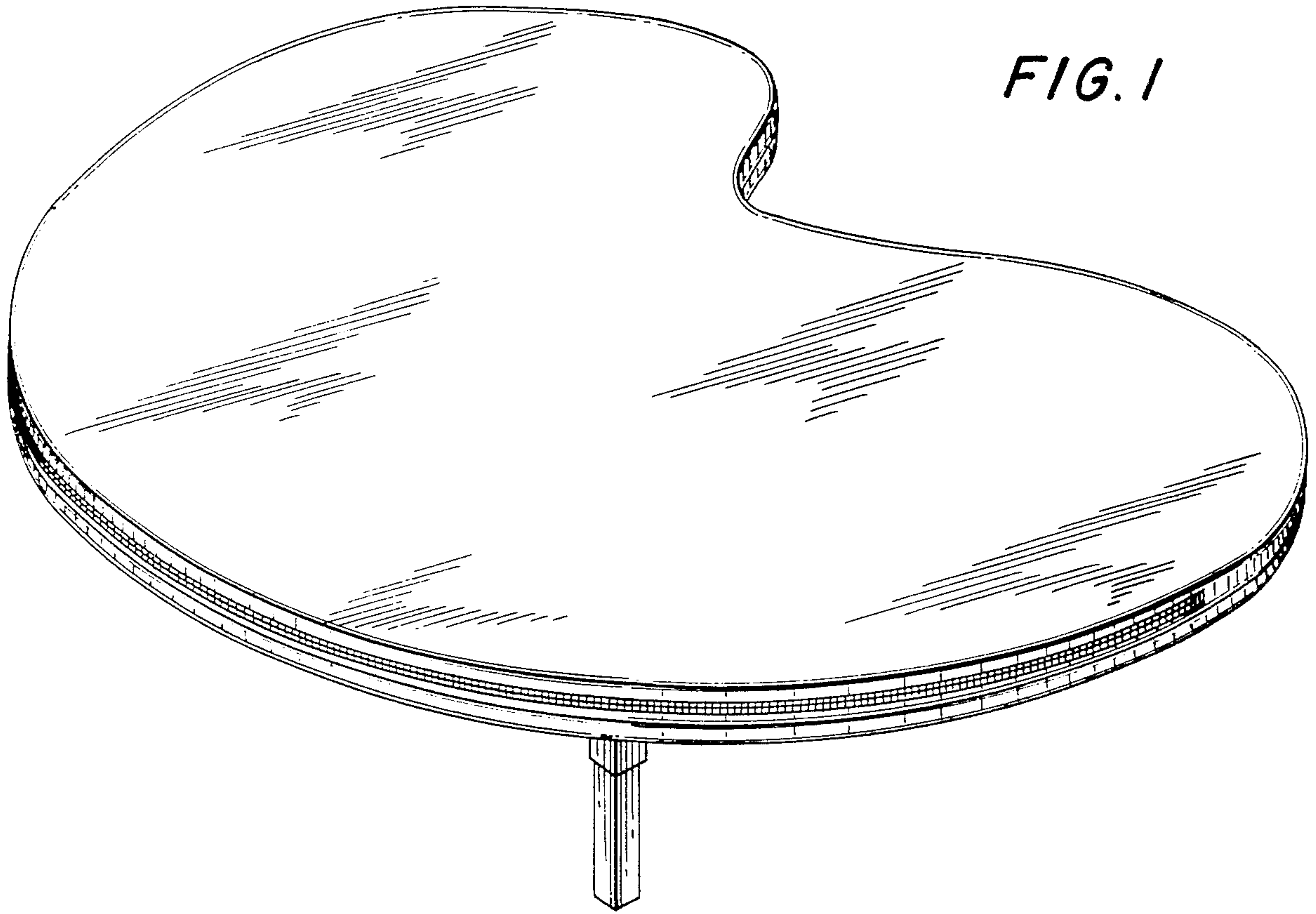


FIG. 1

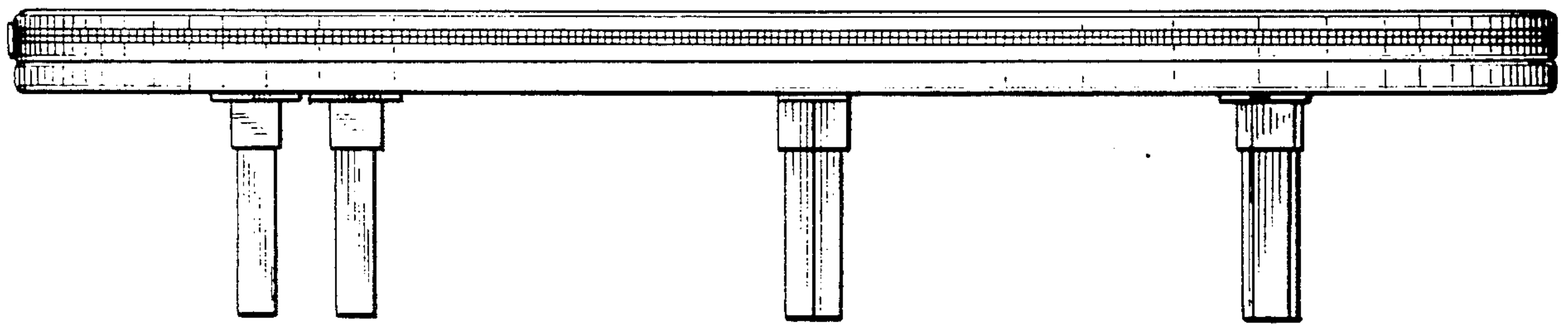


FIG. 2

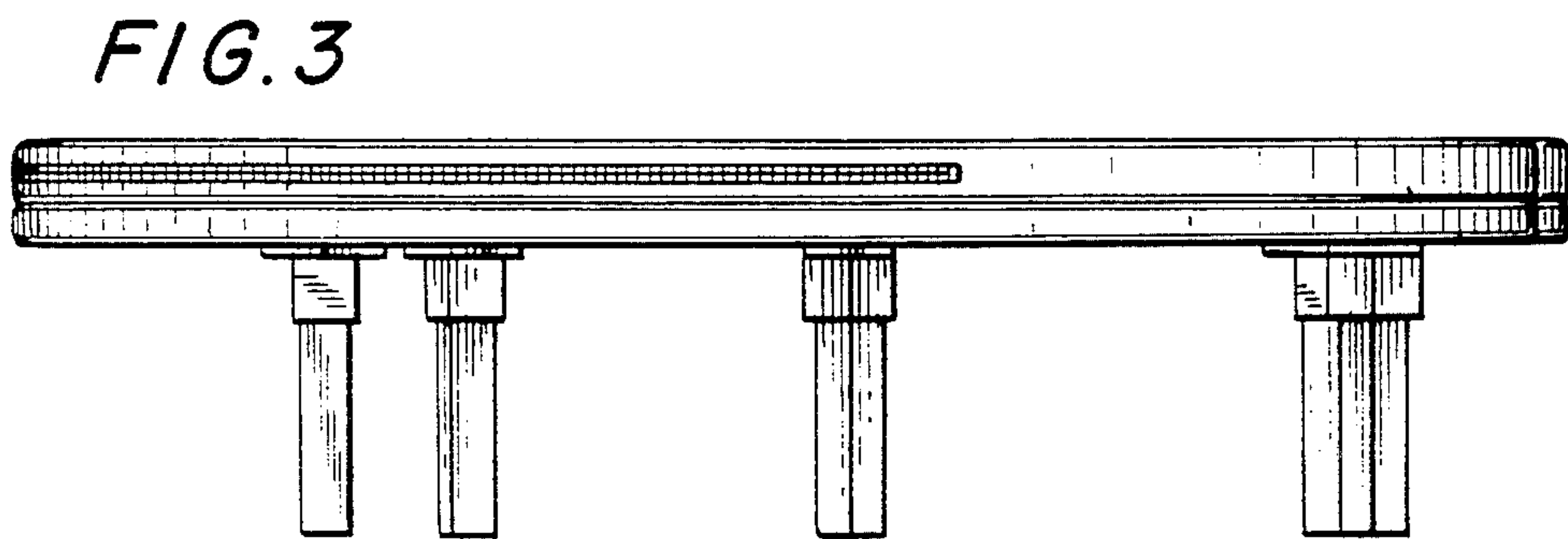


FIG. 3

FIG. 4

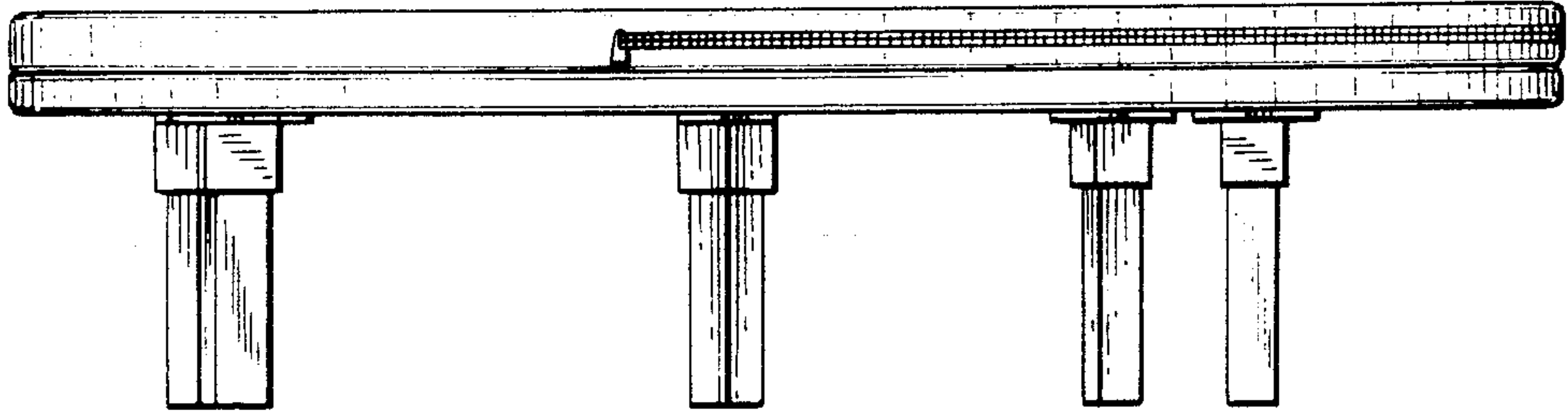


FIG. 5

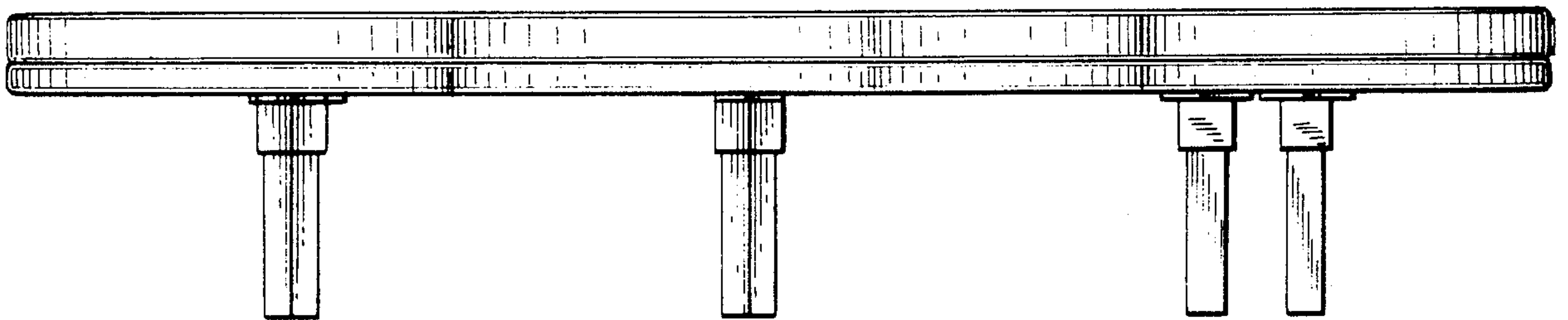


FIG. 6

