

[54] COMBINED PUMP AND NOZZLE FOR SPRAYER

[75] Inventor: Tetsuya Tada, Tokyo, Japan

[73] Assignee: Canyon Corporation, Tokyo, Japan

[\*\*] Term: 14 Years

[21] Appl. No.: 672,805

[22] Filed: Nov. 19, 1984

[30] Foreign Application Priority Data

May 22, 1984 [JP] Japan ..... 59-20744

[52] U.S. Cl. .... D23/17

[58] Field of Search ..... D23/17, 18; D24/62; D9/300, 447, 448; 222/382, 383, 385; 239/331, 333, 525

[56] References Cited

U.S. PATENT DOCUMENTS

- D. 204,517 4/1966 MacNaughton ..... D9/448
- D. 211,560 7/1968 Pizzurro ..... D9/300
- D. 244,531 5/1977 Klingaman ..... D23/18

- D. 247,302 2/1978 Federico et al. .... D23/18
- D. 258,800 4/1981 Halbeisen et al. .... D9/300
- D. 259,467 6/1981 Halbeisen et al. .... D9/300
- 4,030,664 6/1977 Tisbo et al. .... 222/385 X
- 4,350,298 9/1982 Tada ..... 239/333

Primary Examiner—James R. Largen  
Attorney, Agent, or Firm—Frishauf, Holtz, Goodman & Woodward

[57] CLAIM

The ornamental design for a combined pump and nozzle for sprayer, substantially as shown.

DESCRIPTION

FIG. 1 is a perspective view taken from the top, front and right side of a combined pump and nozzle for sprayer showing my new design; FIG. 2 is a front elevational view thereof; FIG. 3 is a right side elevational view thereof; the left side being a mirror image of the right side shown; FIG. 4 is a rear elevational view thereof; FIG. 5 is a bottom plan view thereof; and FIG. 6 is a top plan view thereof.

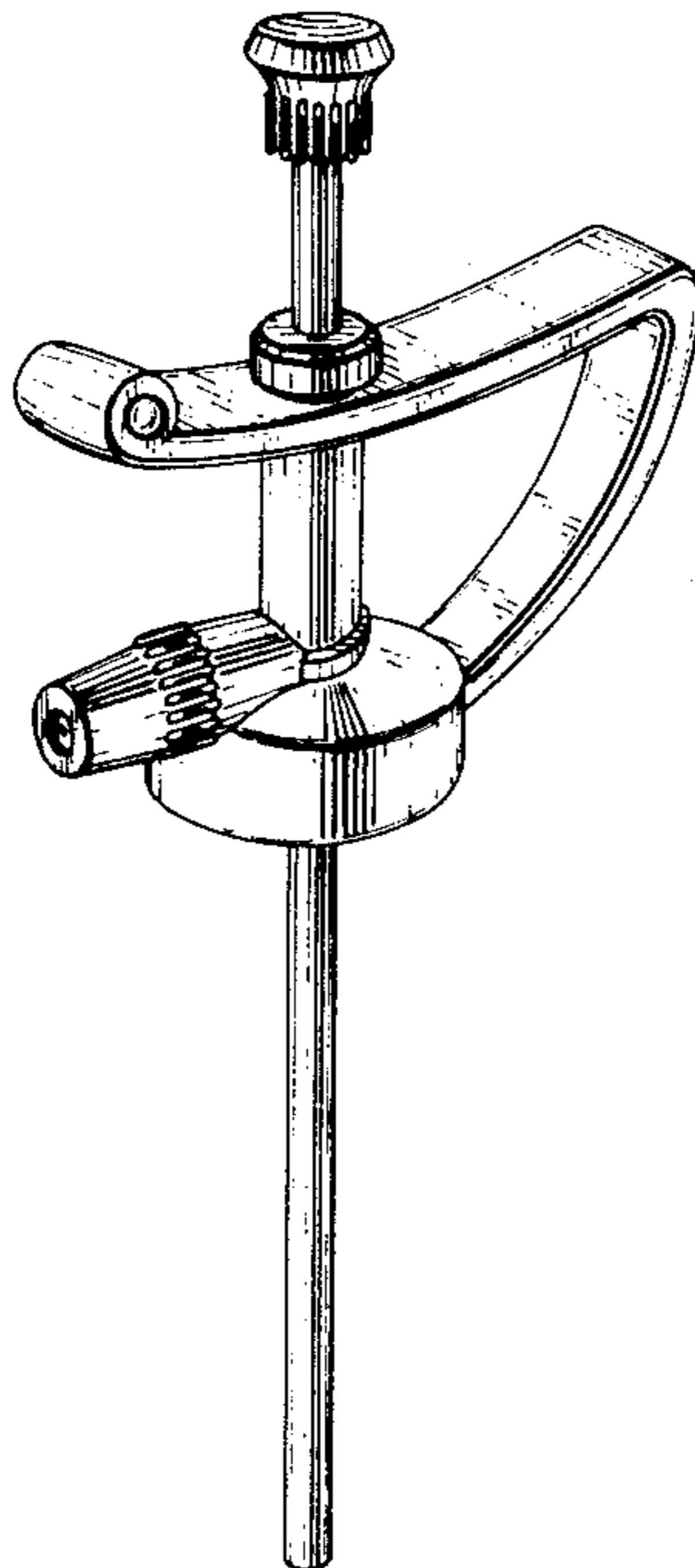


FIG. 1

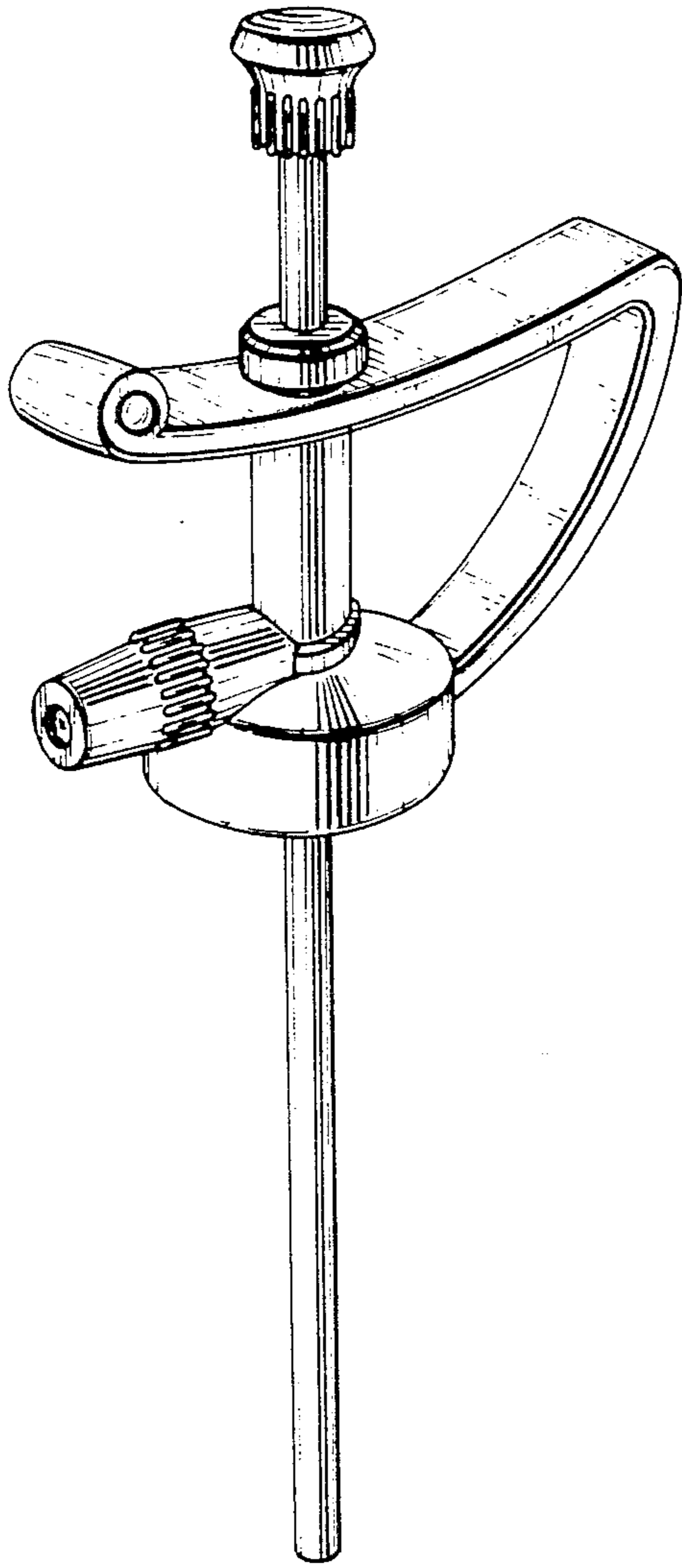


FIG. 2

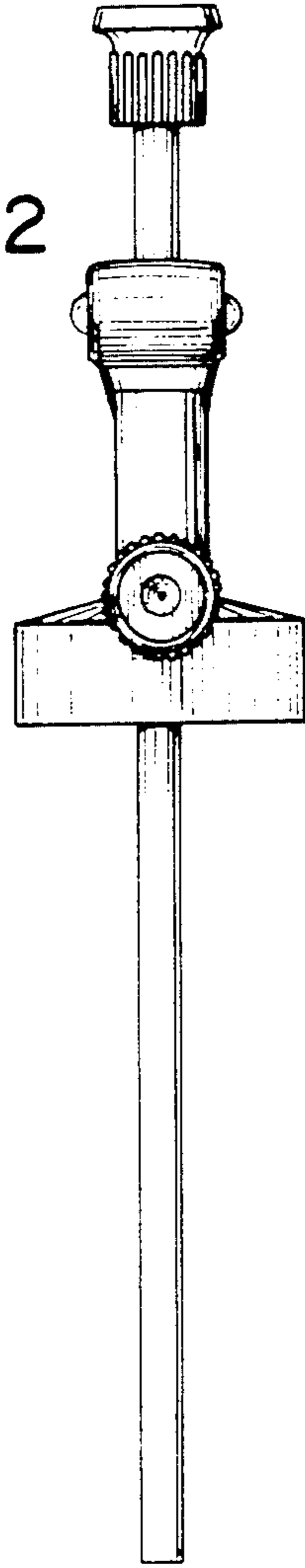


FIG. 3

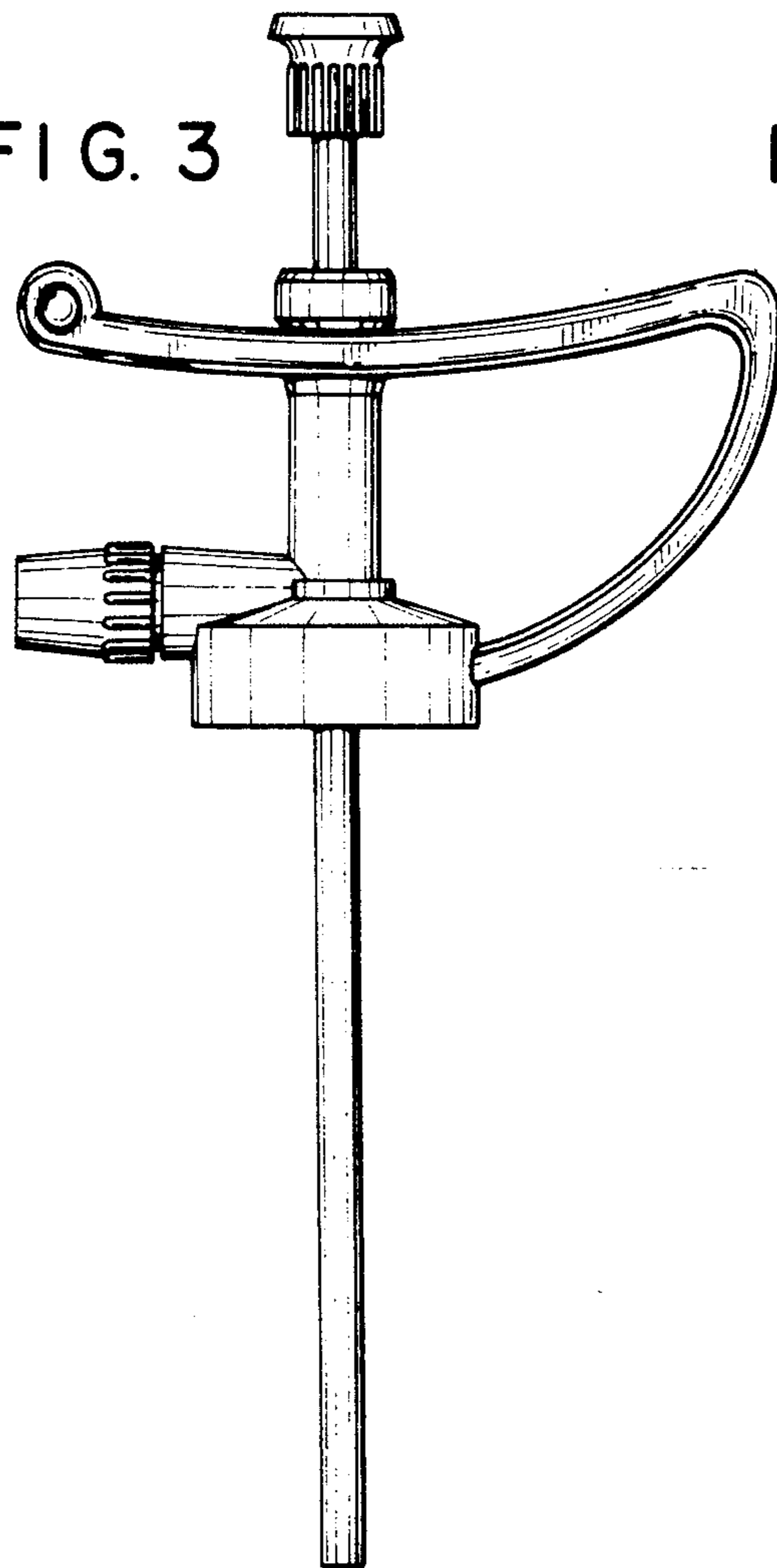


FIG. 4

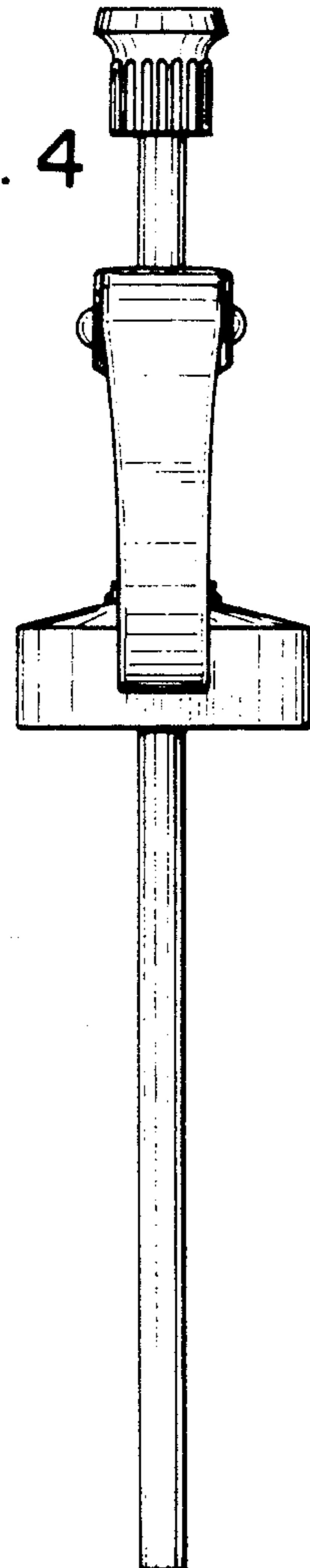


FIG. 5

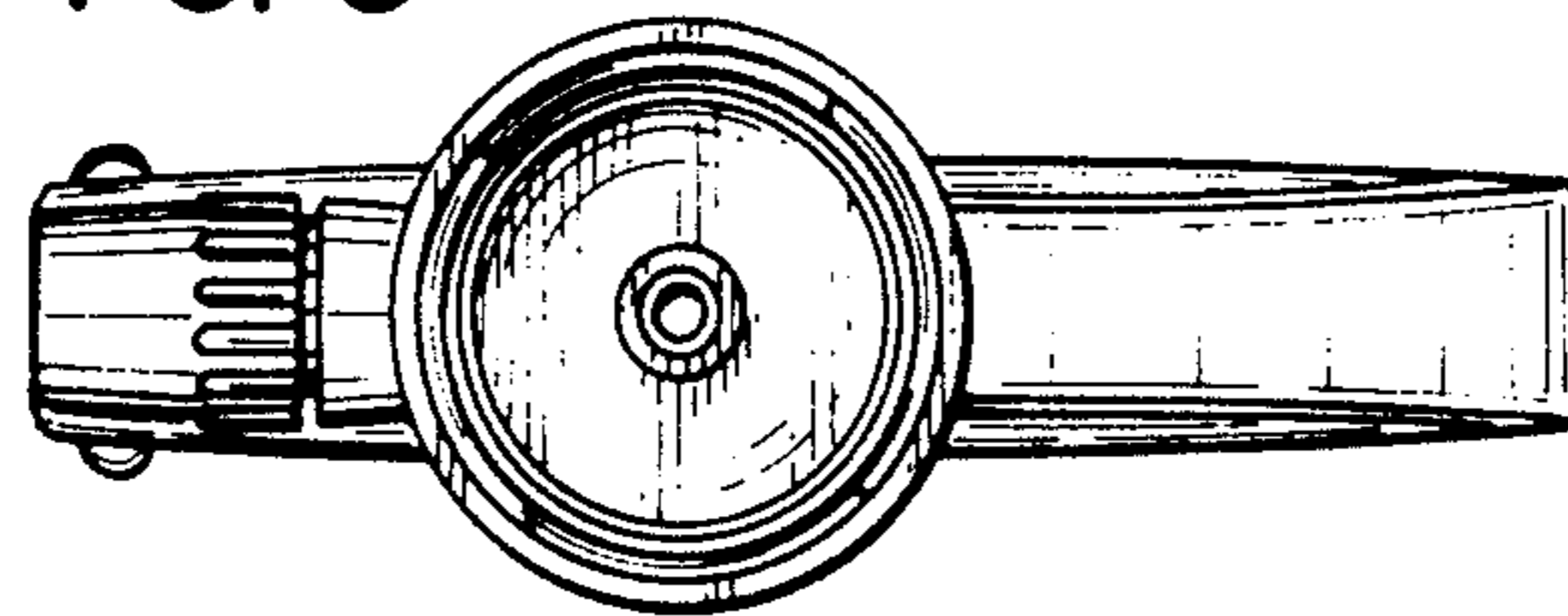


FIG. 6

