

[54] OSCILLATOR SPRINKLER

[75] Inventors: **Jack L. Lemkin**, Cincinnati; **Carl A. Peterson**, Columbus, both of Ohio

[73] Assignee: **O. M. Scott & Sons Company**, Marysville, Ohio

[**] Term: **14 Years**

[21] Appl. No.: **547,987**

[22] Filed: **Nov. 2, 1983**

[52] U.S. Cl. **D23/8**

[58] Field of Search **D23/6-10; 239/242**

D. 269,367 6/1983 MacKay et al. D23/8
 1,895,009 1/1933 Sielaff .
 3,332,624 7/1967 Rinkewich 239/242
 3,630,450 12/1971 Stephany et al. 239/242
 3,827,637 8/1974 Stephany et al. 239/242
 4,511,085 4/1985 Schanz et al. 239/242

Primary Examiner—James R. Largen
Attorney, Agent, or Firm—James B. Raden; Harold J. Holt

[57] **CLAIM**

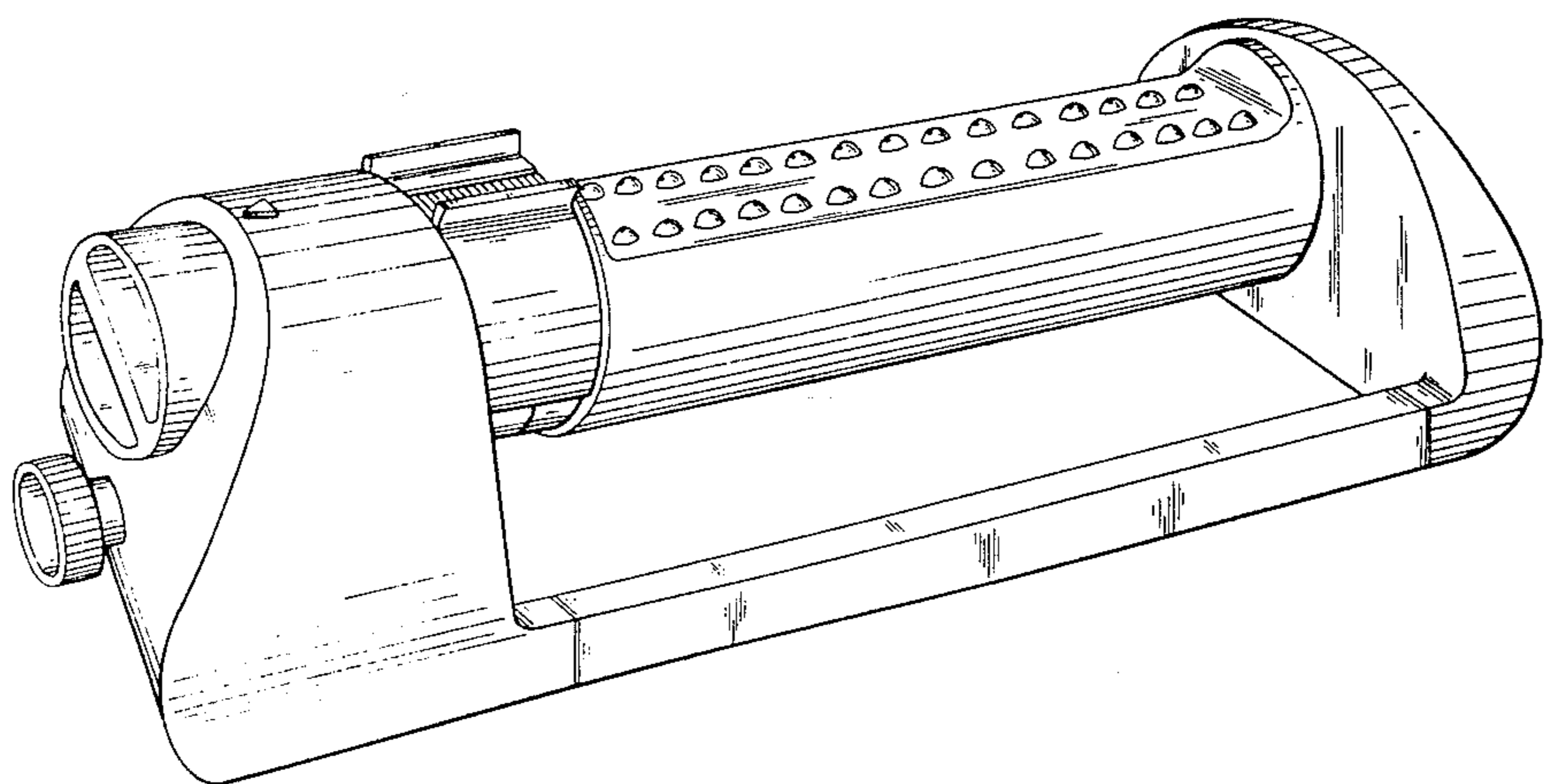
The ornamental design for an oscillator sprinkler, substantially as shown and described.

DESCRIPTION

FIG. 1 is a perspective view of an oscillator sprinkler showing our new design;
 FIG. 2 is a front view in elevation thereof;
 FIG. 3 is a top view thereof;
 FIG. 4 is a bottom view thereof;
 FIG. 5 is a side view in elevation thereof; and
 FIG. 6 is a view in elevation of the opposite side thereof.

[56] **References Cited**
U.S. PATENT DOCUMENTS

D. 178,782	9/1956	Jepson	D23/8
D. 218,970	10/1970	Mango et al.	D23/8
D. 221,336	8/1971	Raffer et al.	D23/8
D. 234,765	4/1975	Raffer et al.	D23/8
D. 259,655	6/1981	Roman	D23/8



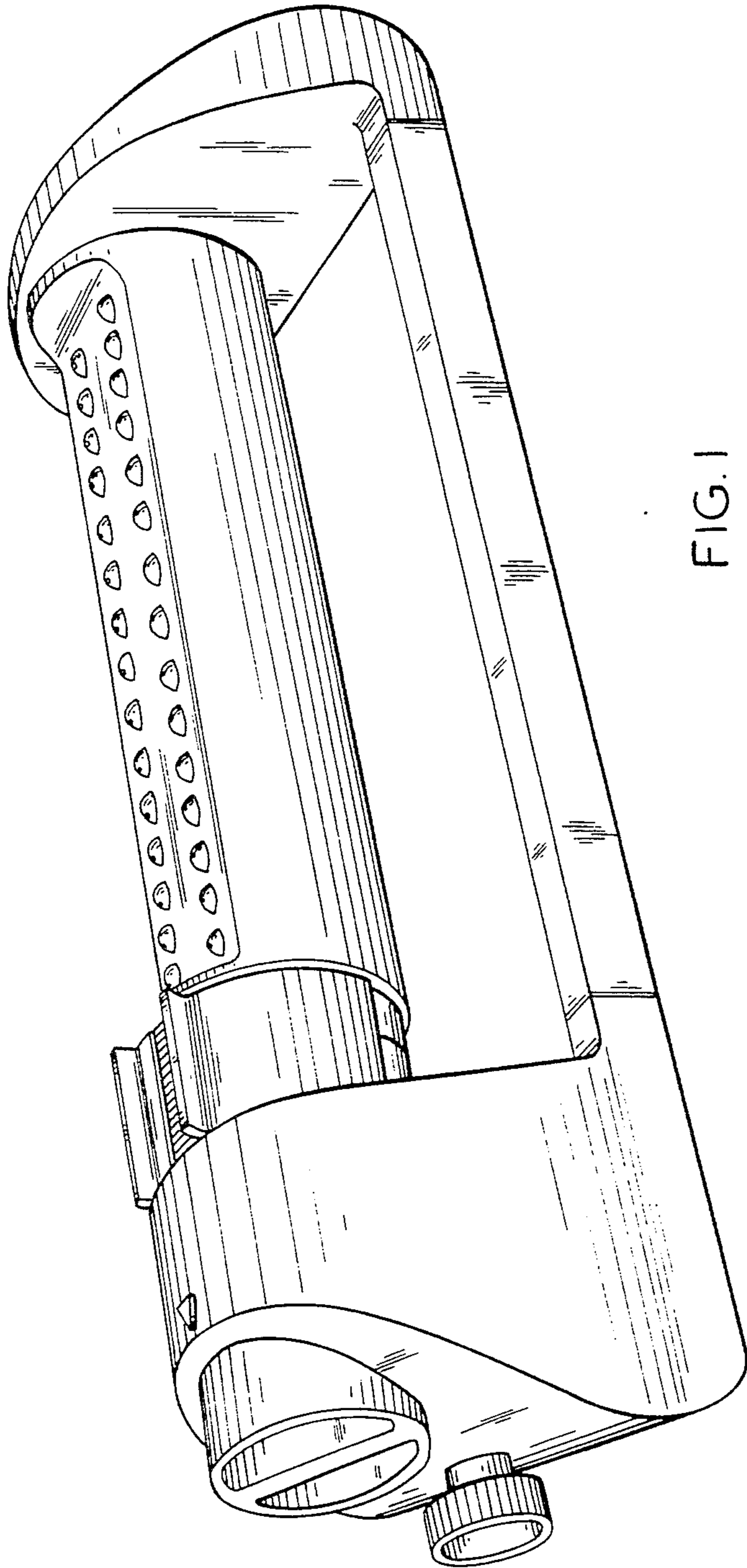


FIG. 1

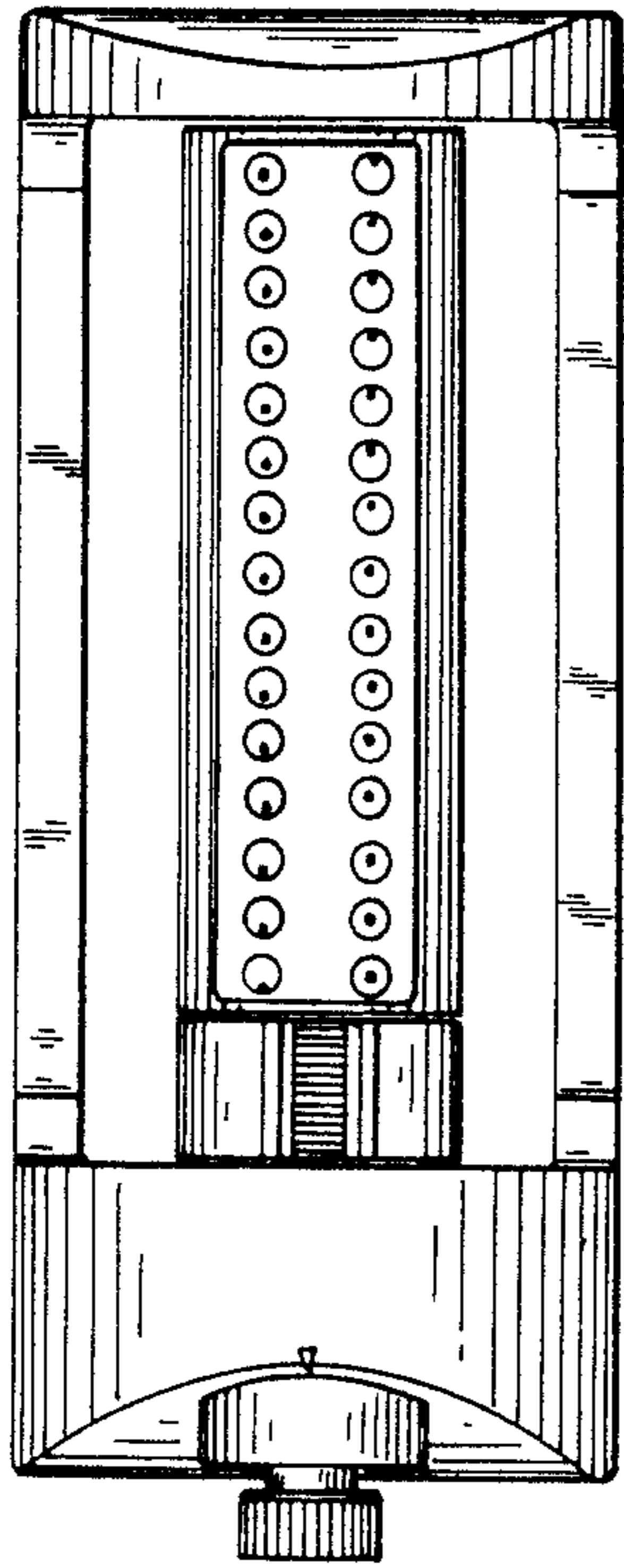


FIG. 3

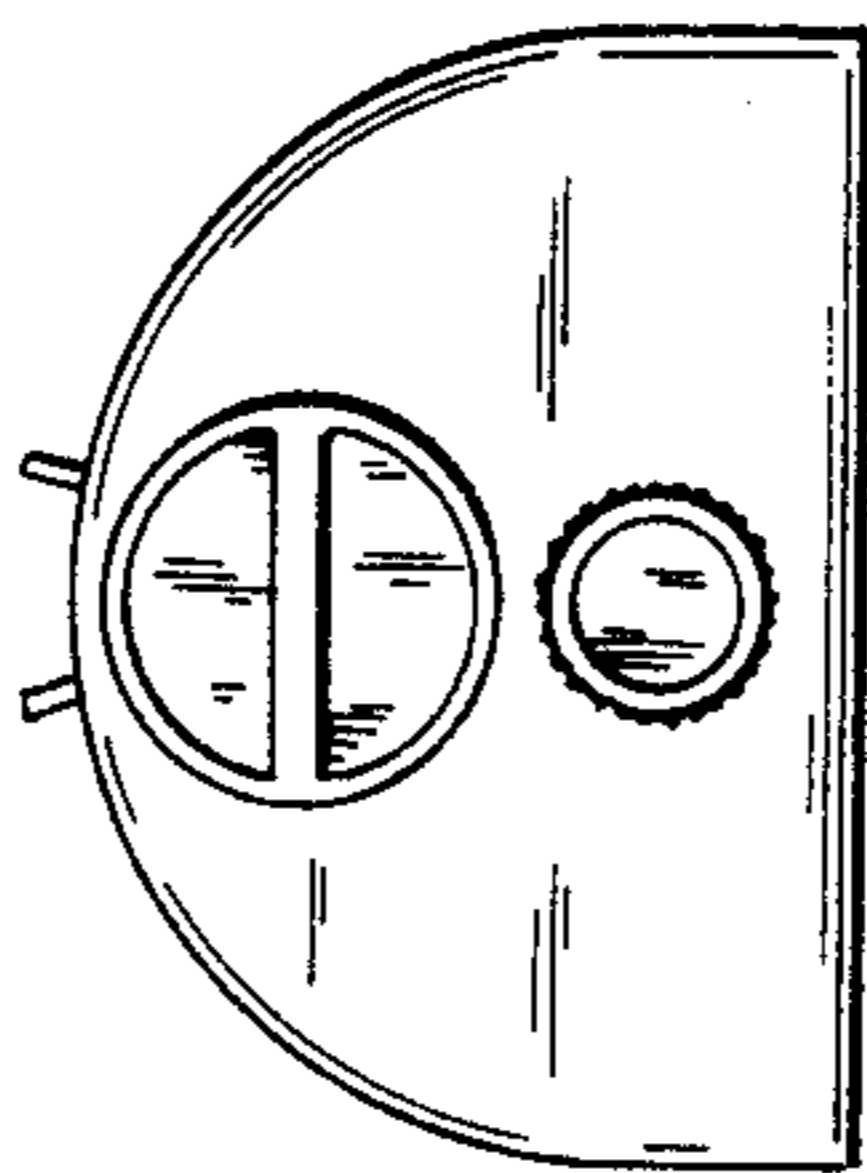


FIG. 5

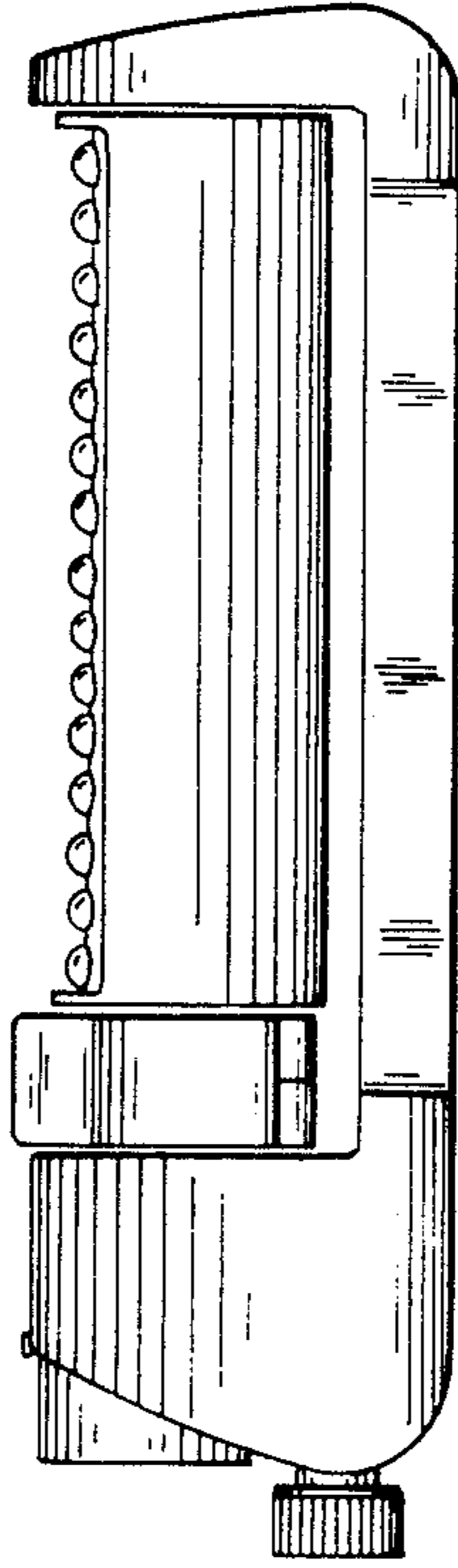


FIG. 2

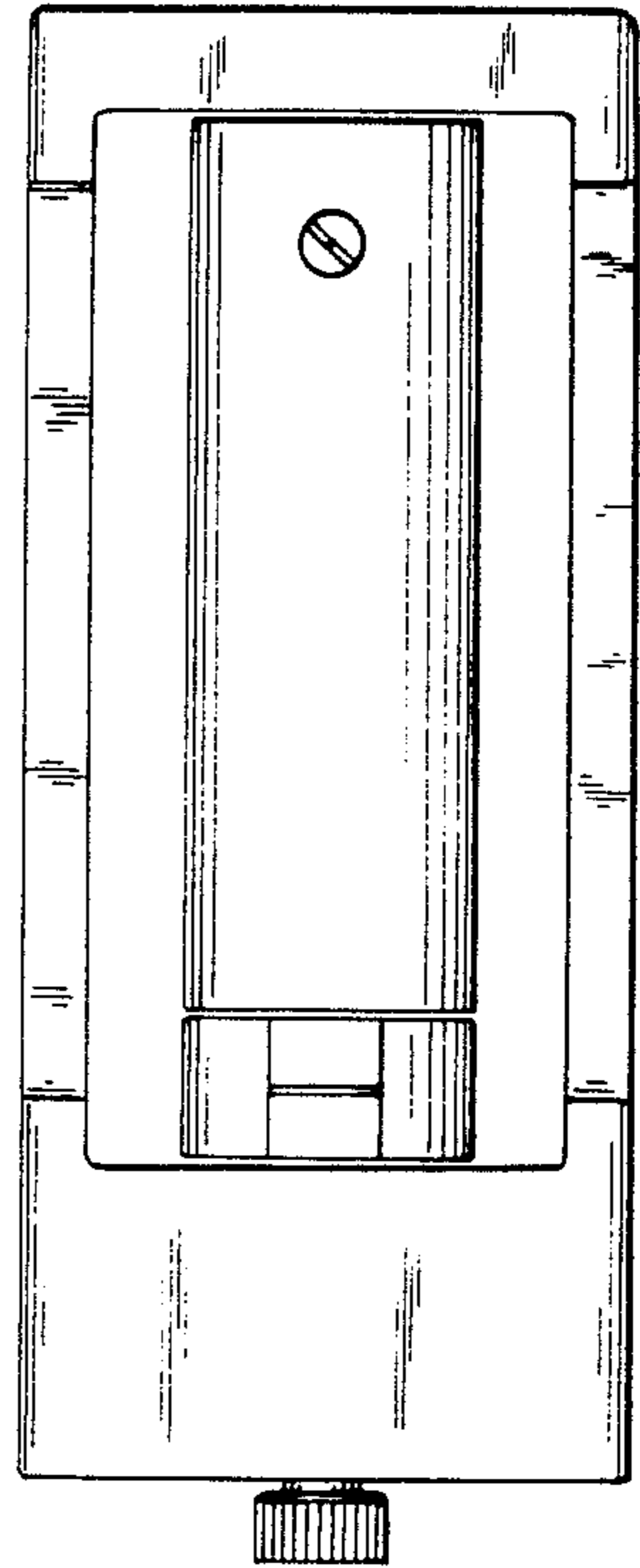


FIG. 4

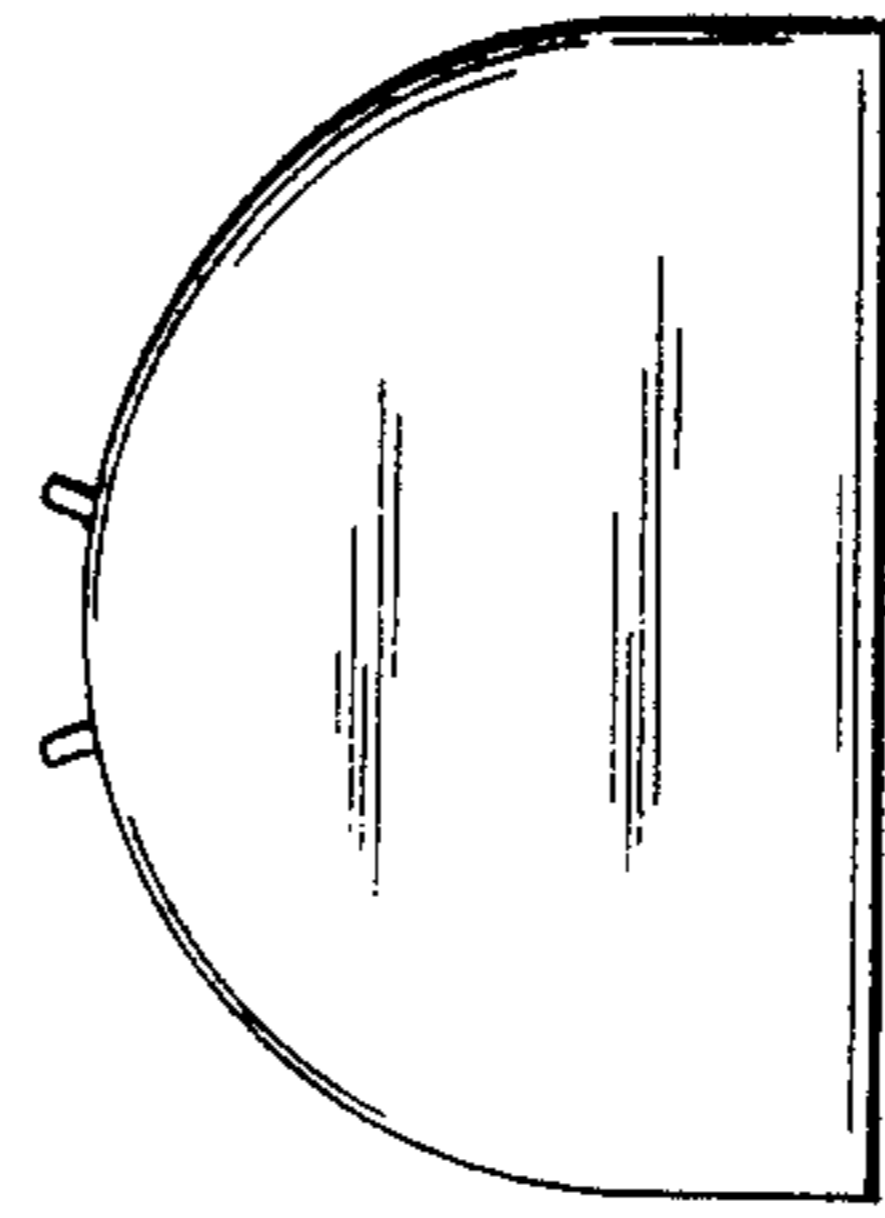


FIG. 6