

[54] **SPRINKLER DRIVE ARM**
 [75] **Inventors: Hans D. Christen, LaVerne; David E. Robertson, Covina, both of Calif.**
 [73] **Assignee: Rain Bird Sprinkler Mfg. Corp., Glendora, Calif.**
 [**] **Term: 14 Years**
 [21] **Appl. No.: 515,298**
 [22] **Filed: Jul. 19, 1983**
 [52] **U.S. Cl. D23/7**
 [58] **Field of Search D23/6-10; 239/230, 231**

3,918,642 11/1975 Best 239/230
 3,930,617 1/1976 Dunmire 239/233 X
 3,952,953 4/1976 Eby .
 3,955,762 5/1976 Cassimatis et al. .
 3,957,205 5/1976 Costa 239/230
 3,968,934 7/1976 Healy 239/230
 4,182,494 1/1980 Wichman et al. .
 4,205,780 6/1980 Bruninga 239/233

Primary Examiner—James R. Largen
Attorney, Agent, or Firm—Fulwider, Patton, Rieber, Lee & Utecht

[57] **CLAIM**

The ornamental design for a sprinkler drive arm, substantially as shown and described.

DESCRIPTION

FIG. 1 is a perspective view taken from the top, front and left side of a sprinkler drive arm showing our new design;
 FIG. 2 is a left side elevational view thereof;
 FIG. 3 is a right side elevational view thereof;
 FIG. 4 is a rear elevational view thereof;
 FIG. 5 is a front elevational view thereof;
 FIG. 6 is a top plan view thereof; and
 FIG. 7 is a bottom plan view thereof.
 The broken line representation of a sprinkler body in FIG. 1 is for purposes of illustration only.

[56] **References Cited**
U.S. PATENT DOCUMENTS
 D. 255,825 7/1980 Hardy D23/7
 D. 266,449 10/1982 Foreman D23/7
 D. 270,178 8/1983 Heeh D23/7
 D. 276,454 11/1984 Brown et al. D23/7
 2,214,990 9/1940 Buckner .
 3,022,012 2/1962 Sharp et al. .
 3,208,672 9/1965 Sully .
 3,408,009 10/1968 Friedmann et al. .
 3,856,207 12/1974 Rees, Jr. 239/230
 3,884,416 5/1975 King 239/230

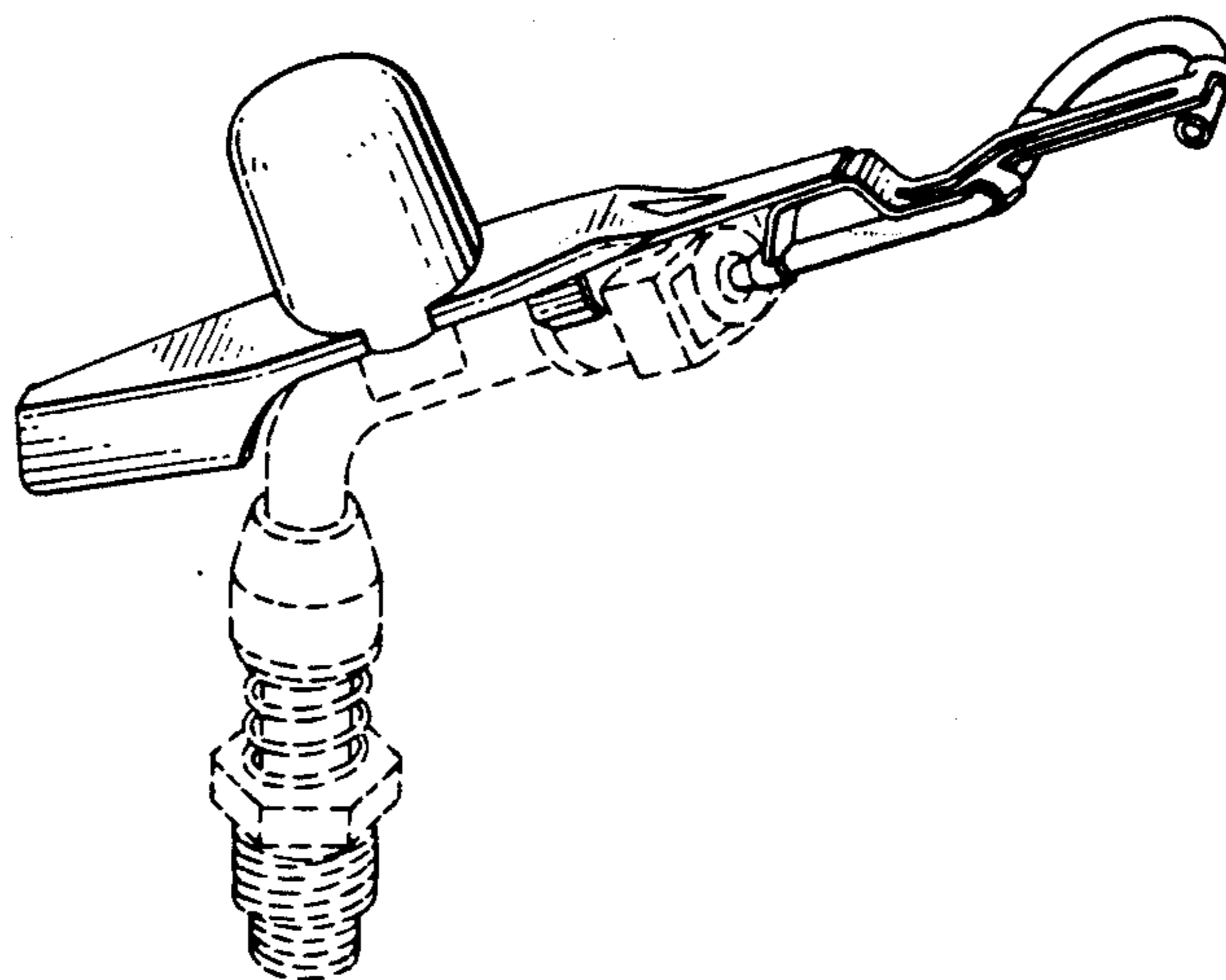


FIG. 1

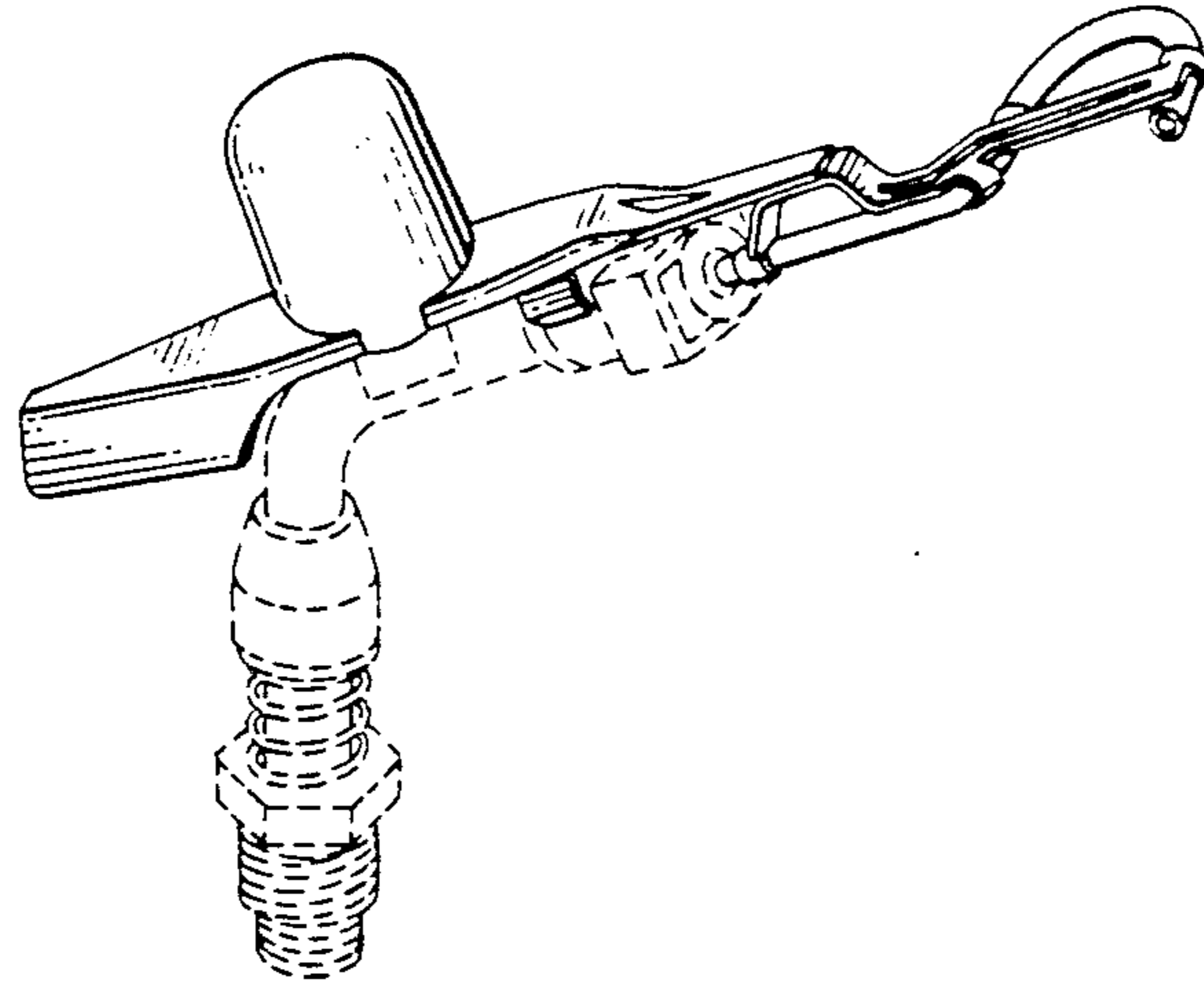


FIG. 2

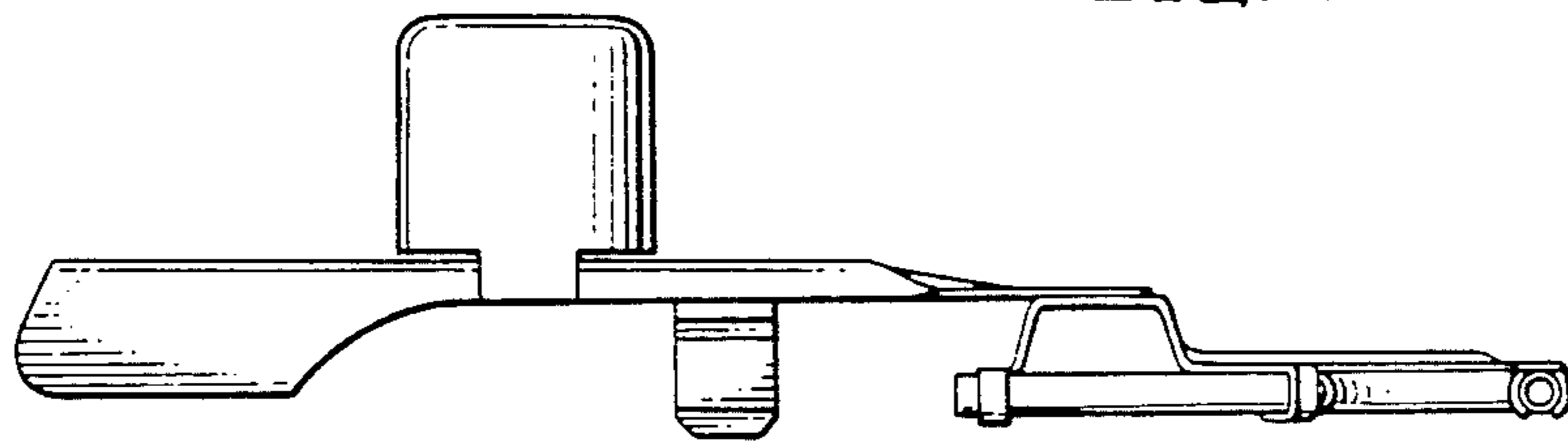


FIG. 3

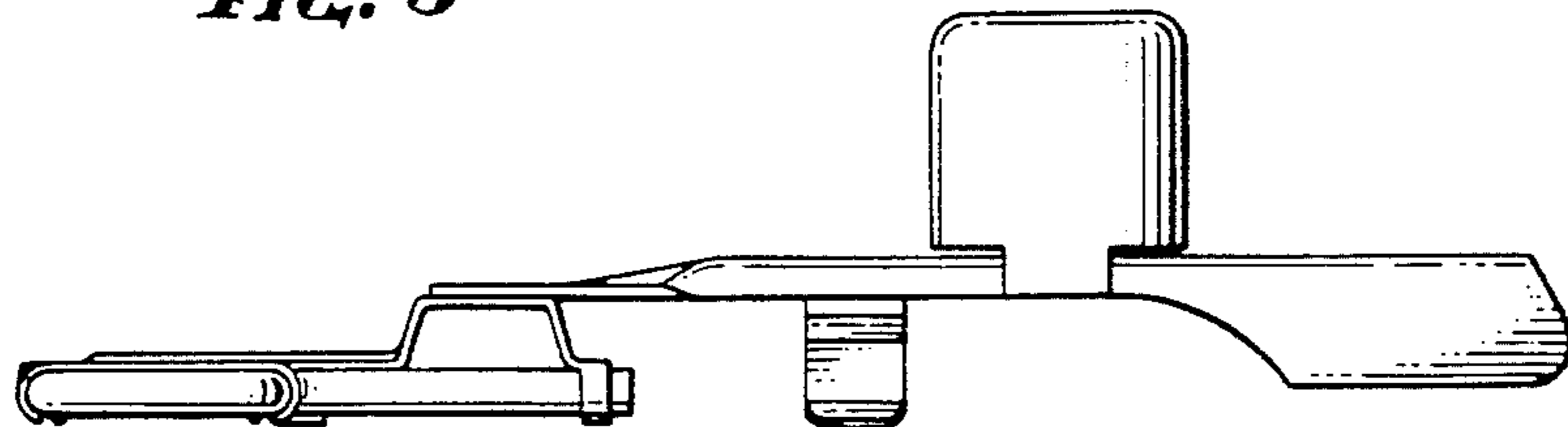


Fig. 4

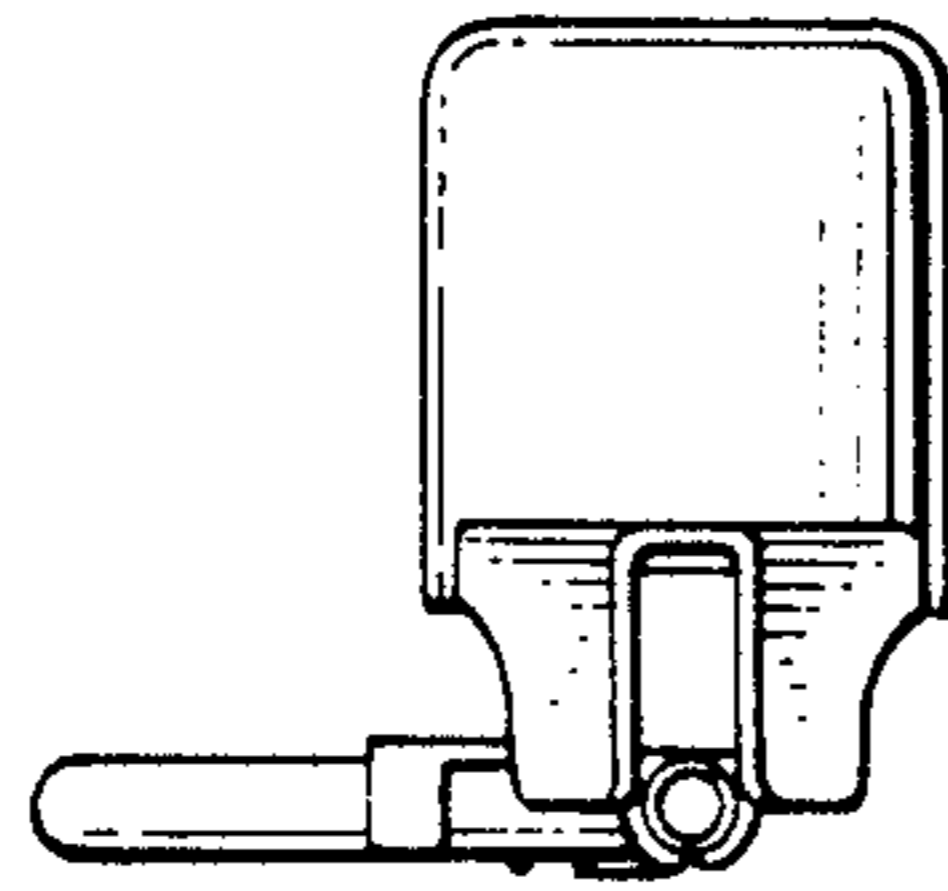


Fig. 5

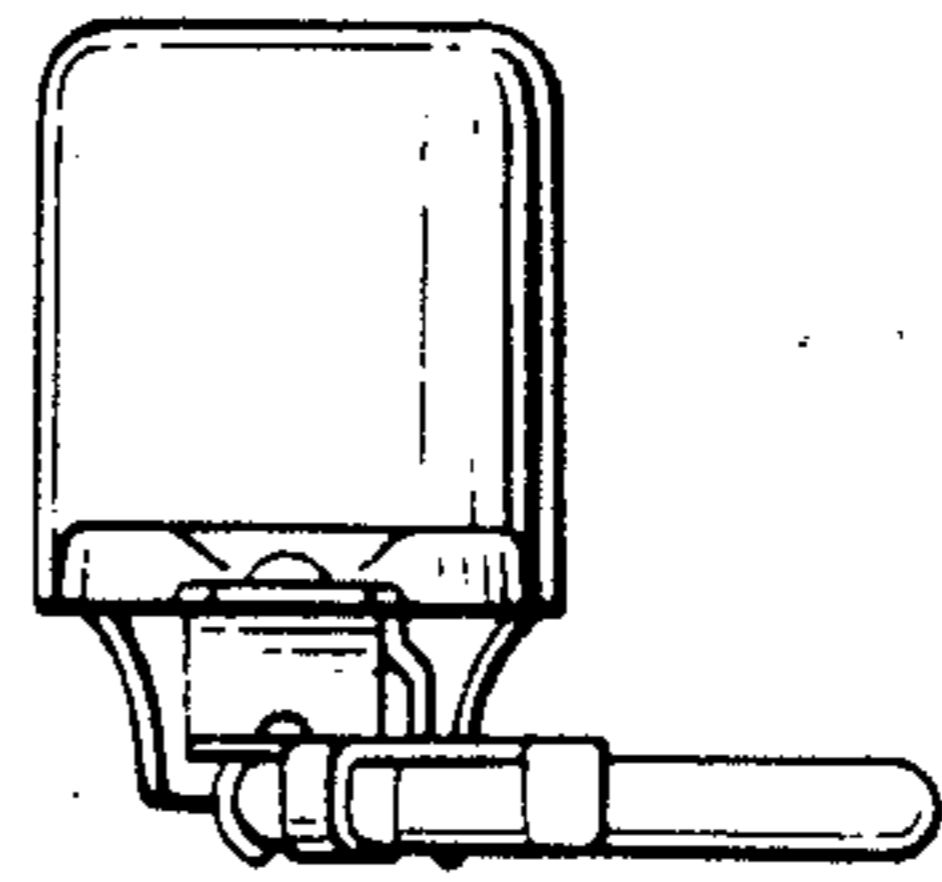


Fig. 6

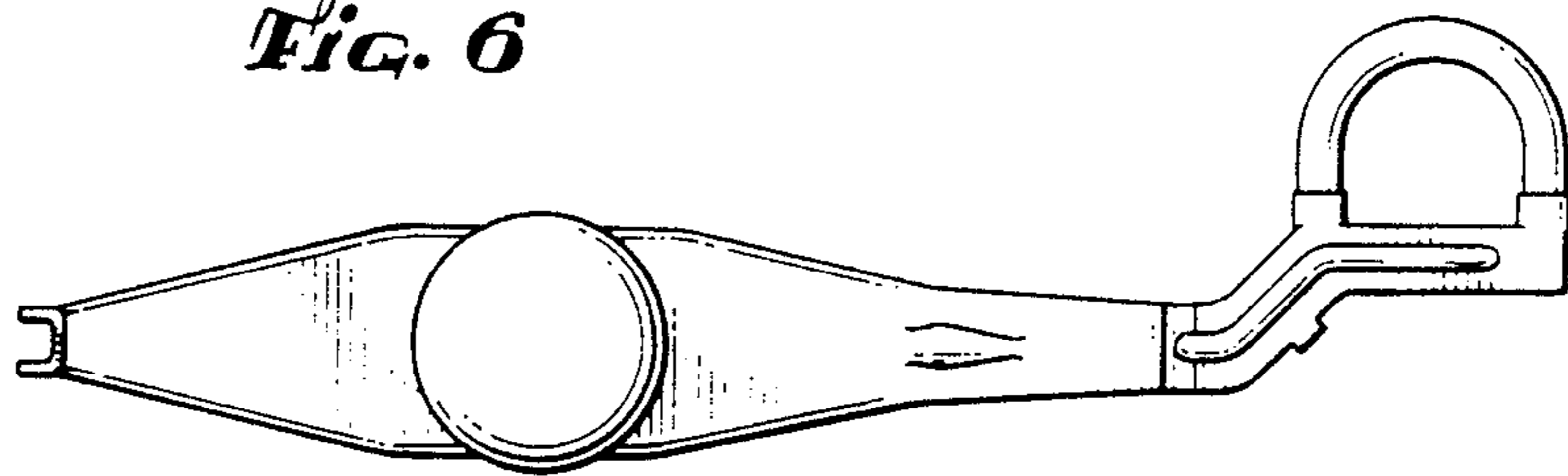


Fig. 7

