

[54] **FILTER UNIT**

[75] **Inventor:** Frederick M. Shofner, Knoxville, Tenn.
 [73] **Assignee:** PPM, Inc., Knoxville, Tenn.
 [**] **Term:** 14 Years
 [21] **Appl. No.:** 365,892
 [22] **Filed:** Apr. 6, 1982
 [52] **U.S. Cl.** D23/4
 [58] **Field of Search** D23/149, 150, 110, 117; 55/467, 471, 473, 352, 354; 239/60; D26/75, 76, 78

FOREIGN PATENT DOCUMENTS

2717613 11/1977 Fed. Rep. of Germany ... 55/385 A
 939098 6/1982 Fed. Rep. of Germany 55/354
 2800703 7/1978 U.S.S.R. 55/283

OTHER PUBLICATIONS

Modufil™ Sales Brochure No. 107-10/82 (Oct. 1982) prepared by Assignee, ppm, Inc., Knoxville, TN.
 Modufil™ Sales Brochure No. 112-2/83 (Feb. 1983) prepared by Assignee, ppm, Inc., Knoxville, TN.
 Modufil™ Sales Brochure No. 113-3/83 (Mar. 1983) prepared by Assignee, ppm, Inc., Knoxville, TN.
 Sales Brochure, Northern Air Corporation, "Modular Air Filtration Systems Model AR-2000" (exact date unknown).

[56] **References Cited**

U.S. PATENT DOCUMENTS

D. 147,357	8/1947	Watkins	D26/78
D. 204,722	5/1966	Jenner	D26/76
D. 238,296	12/1975	Trimarchi	D26/78
D. 248,869	8/1978	Risher	D23/149
D. 258,686	3/1981	Johnson	D23/149
2,763,139	9/1956	Callan et al.	55/354
2,887,567	5/1959	Dameral	D26/78
3,596,442	8/1971	Neumann	55/354
3,745,750	7/1973	Arff	55/413
3,861,894	1/1975	Marsh	55/473
3,954,427	5/1976	Jenn	55/467
4,011,067	3/1977	Carey, Jr.	55/354
4,226,715	10/1980	Niederer et al.	55/352
4,277,255	7/1981	Apelgren	55/21
4,301,095	11/1981	Mettler et al.	239/60
4,370,155	1/1983	Armbruster	55/414
4,378,980	4/1983	Long	55/354

Primary Examiner—Wallace R. Burke
Assistant Examiner—Lynn Wilder
Attorney, Agent, or Firm—Kerkam, Stowell, Kondracki & Clarke

[57] **CLAIM**

The ornamental design for a filter unit, as shown.

DESCRIPTION

FIG. 1 is a perspective view of a filter unit of my new appearance design as it appears in operation suspended from overhead and with filter media in place;
 FIG. 2 is an additional perspective view of the filter unit of FIG. 1 showing the bottom, rear and opposite sides not visible in FIG. 1; and
 FIG. 3 is a perspective view from the same orientation as FIG. 1, but showing the appearance of the filter unit with the filter media and rolls removed.

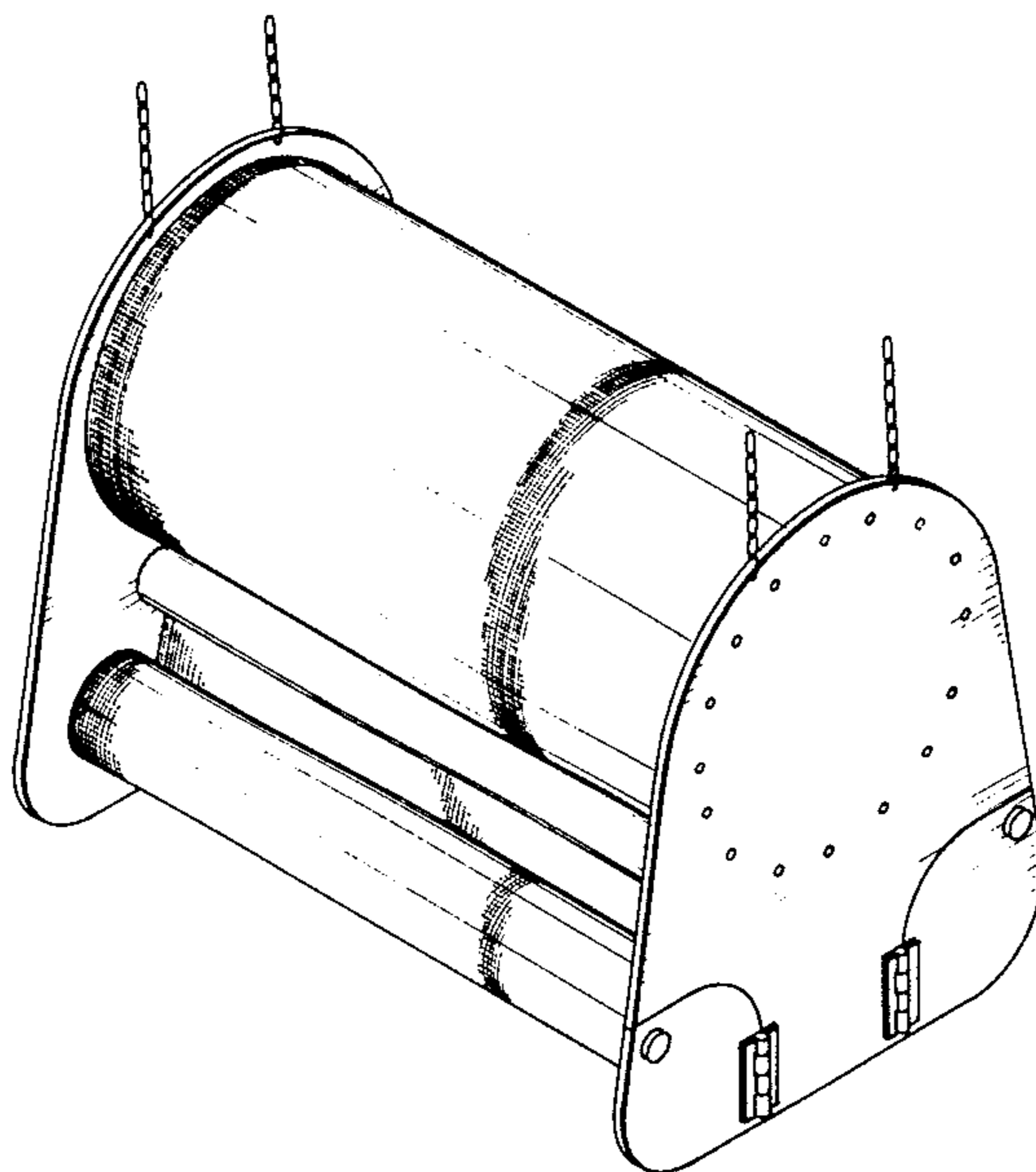


FIG 1

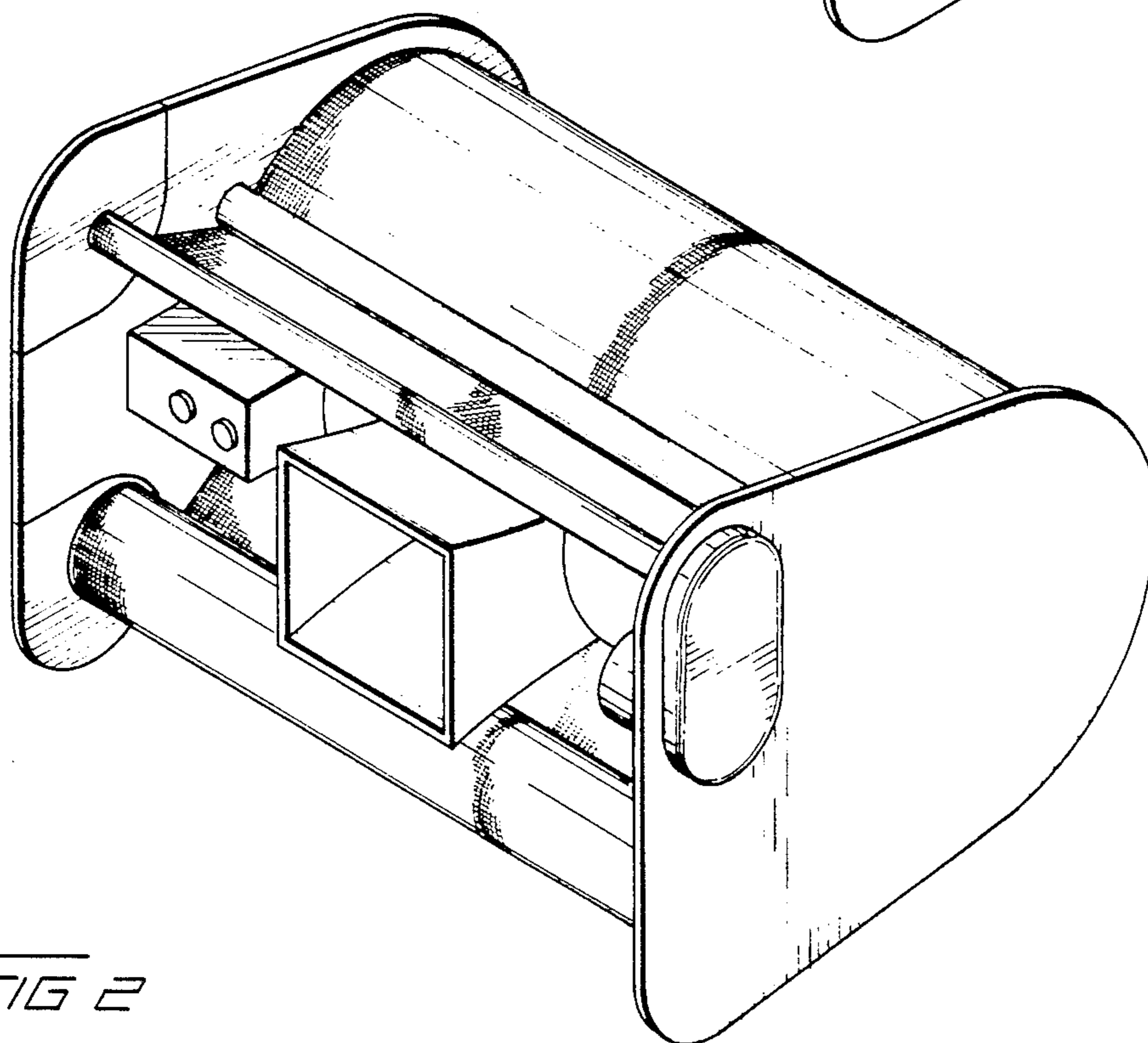
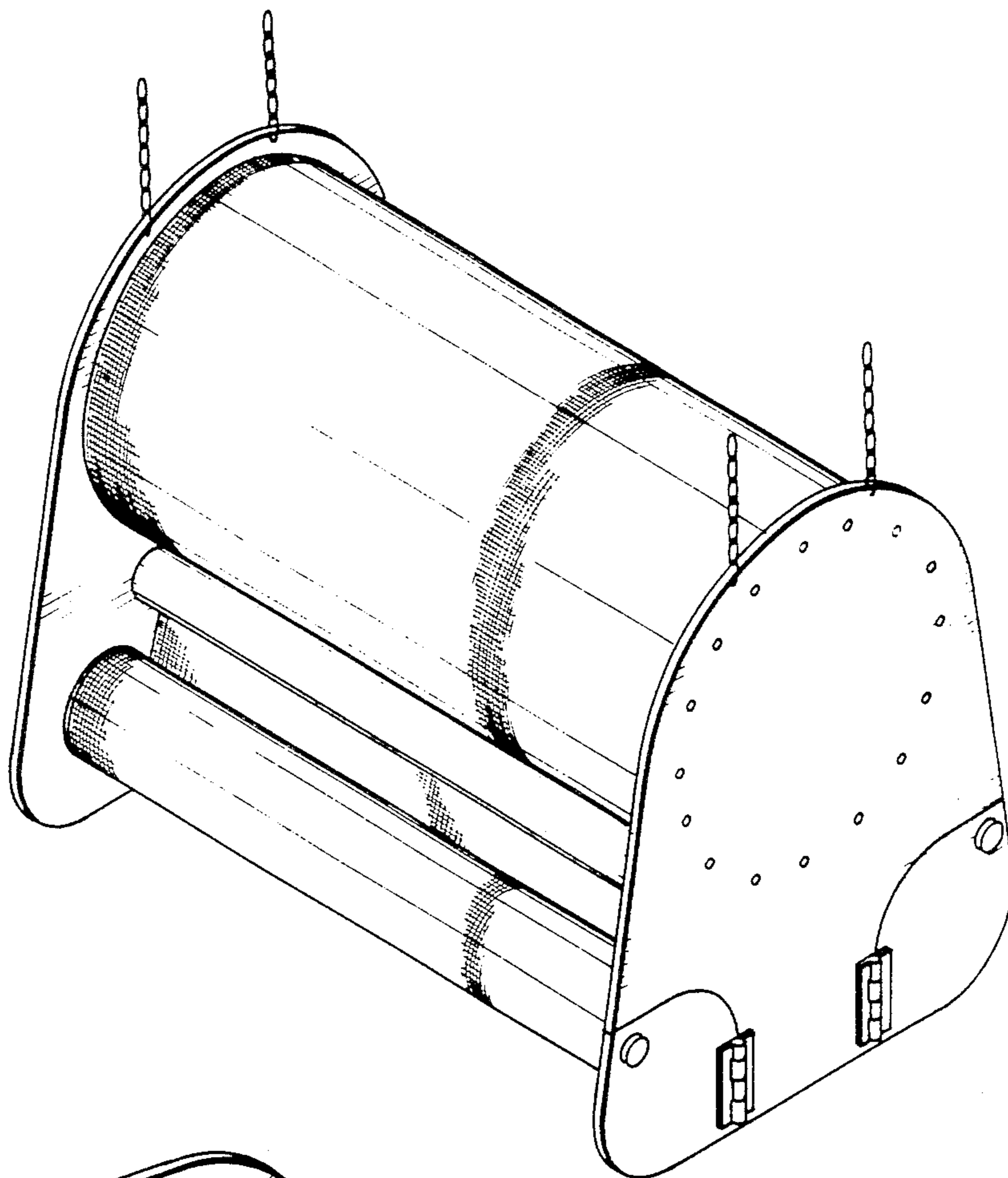


FIG 2

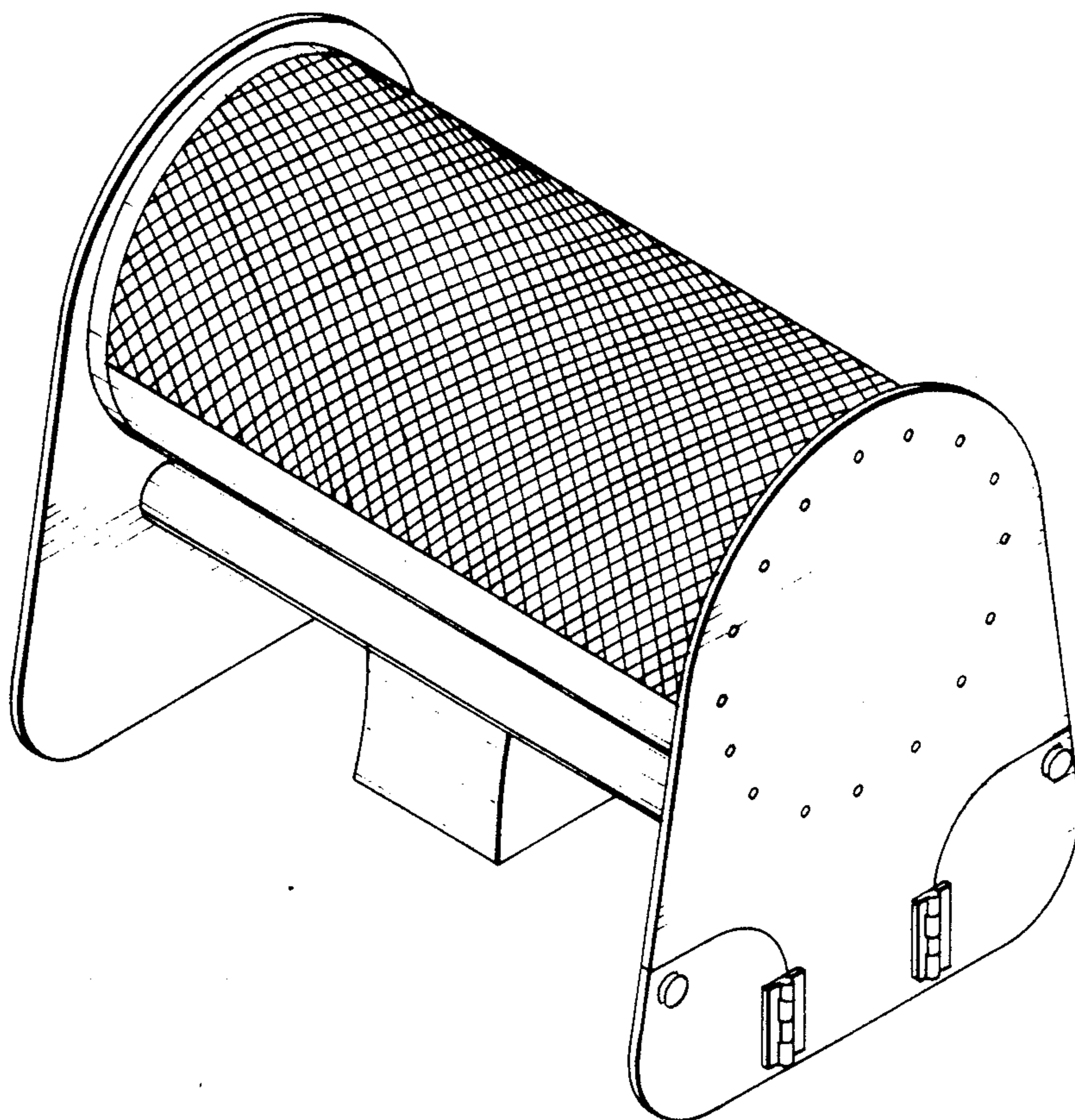


FIG 3