

[54] COMBINED TOY GUN AND PROJECTILE THEREFOR

[76] Inventor: Theresa M. Megargee, 14 Milo Dr., Madison, Conn. 06443

[**] Term: 14 Years

[21] Appl. No.: 501,797

[22] Filed: Jun. 7, 1983

[52] U.S. Cl. D21/147; D21/146

[58] Field of Search D21/146, 147; 446/473, 446/405, 406, 407; D22/6

[56] References Cited

U.S. PATENT DOCUMENTS

D. 142,618	10/1945	Dahlquist	D21/147
D. 145,805	10/1946	Hooper	D21/146
1,683,662	9/1928	Ford	D21/147
1,890,288	12/1932	Graf	D21/147
1,891,219	12/1932	Baker	446/406
2,583,510	1/1952	Ingram	446/405

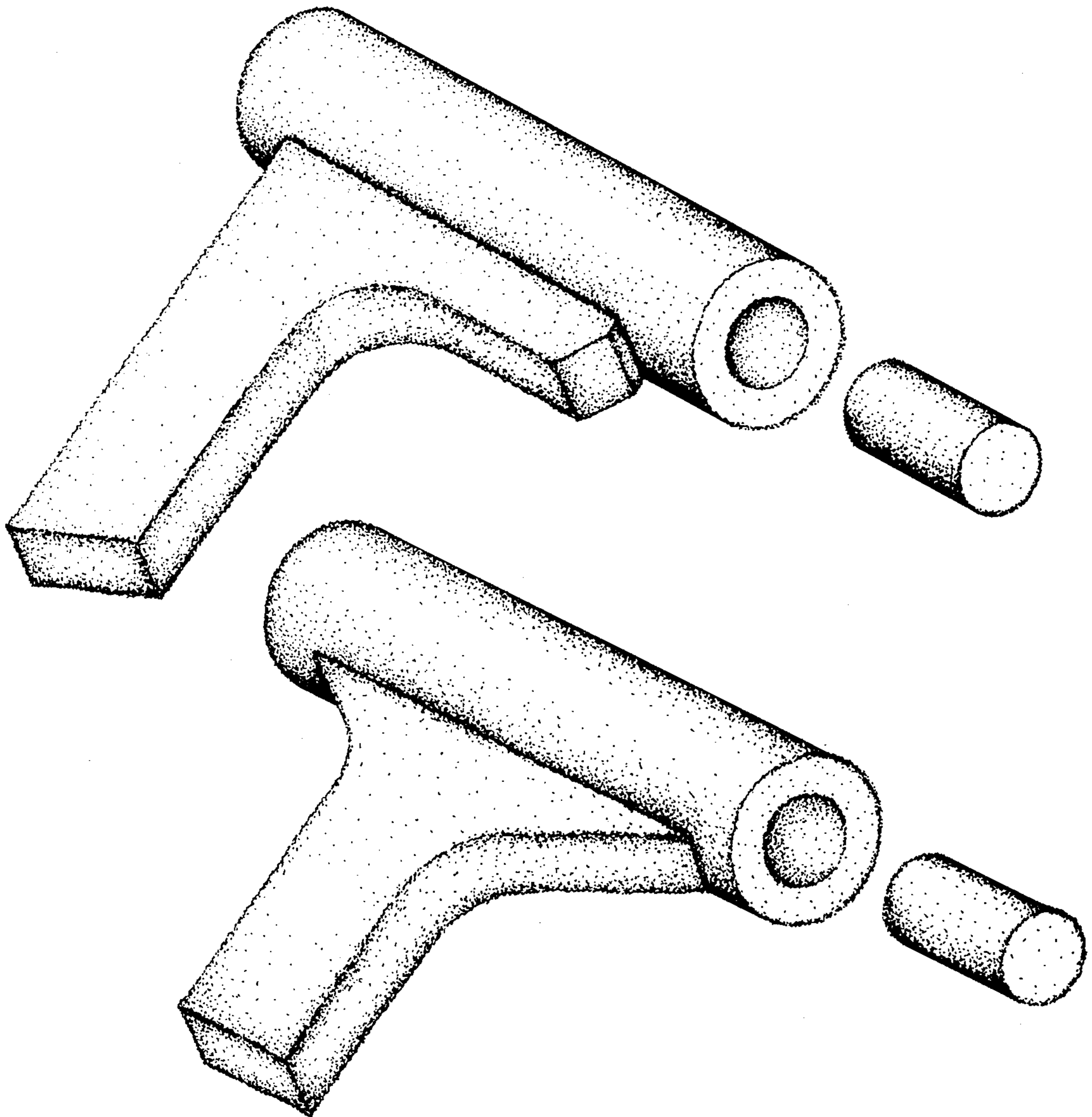
Primary Examiner—Charles A. Rademaker
Attorney, Agent, or Firm—Costas, Montgomery & Dorman

[57] CLAIM

The ornamental design of a combined toy gun and projectile therefor, as shown and described.

DESCRIPTION

FIG. 1 is a front perspective view of a combined toy gun and projectile therefor showing my new design, the side opposite being substantially a mirror image; FIG. 2 is an inverted perspective view of the combined toy gun and projectile therefor of FIG. 1 with the projectile in a seated condition; FIG. 3 is a front perspective view of a modified form of a combined toy gun and projectile therefor, the side opposite being substantially a mirror image, and FIG. 4 is an inverted perspective view of the toy gun and projectile therefor of FIG. 3 with the projectile in a seated condition.



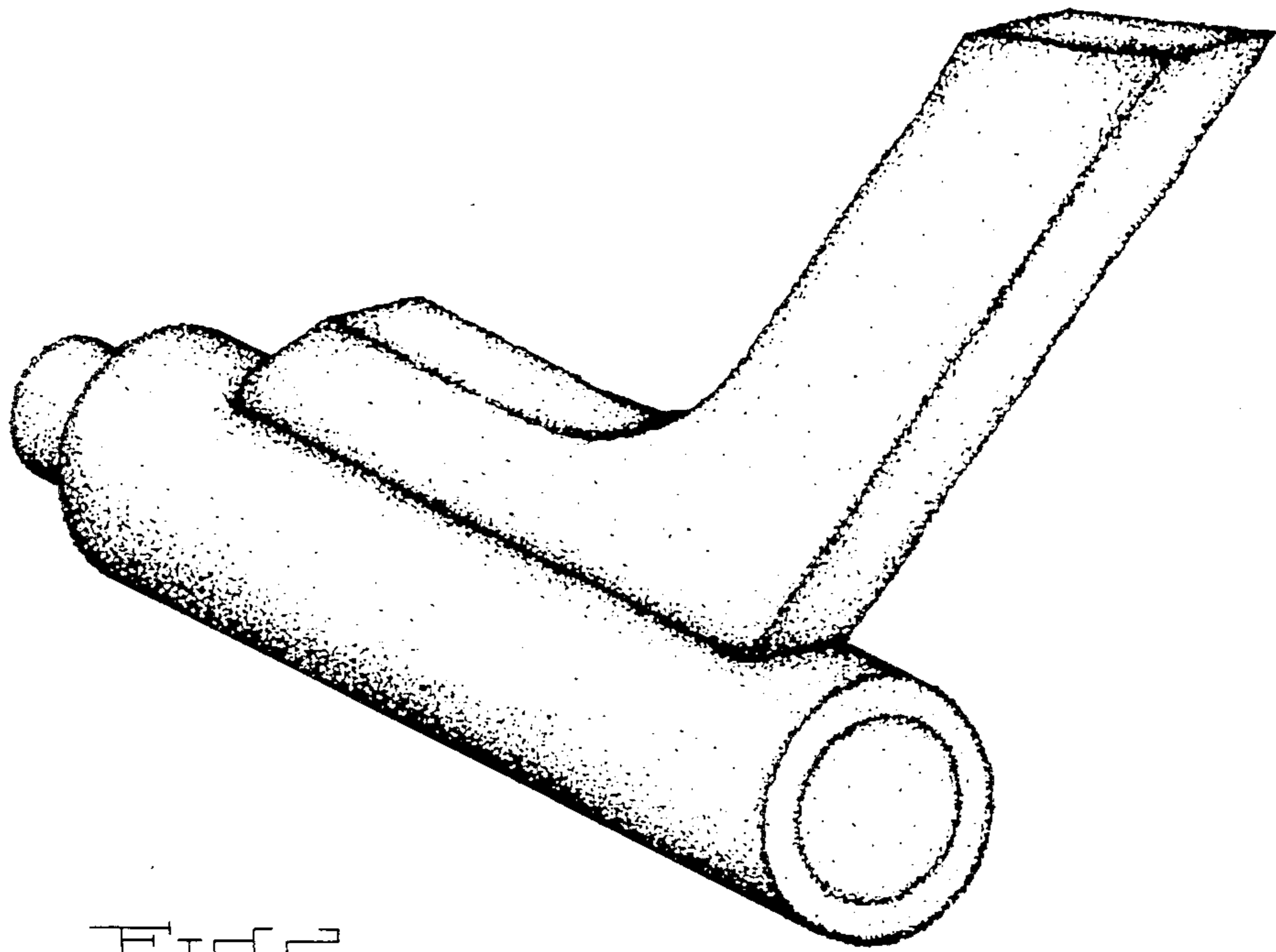
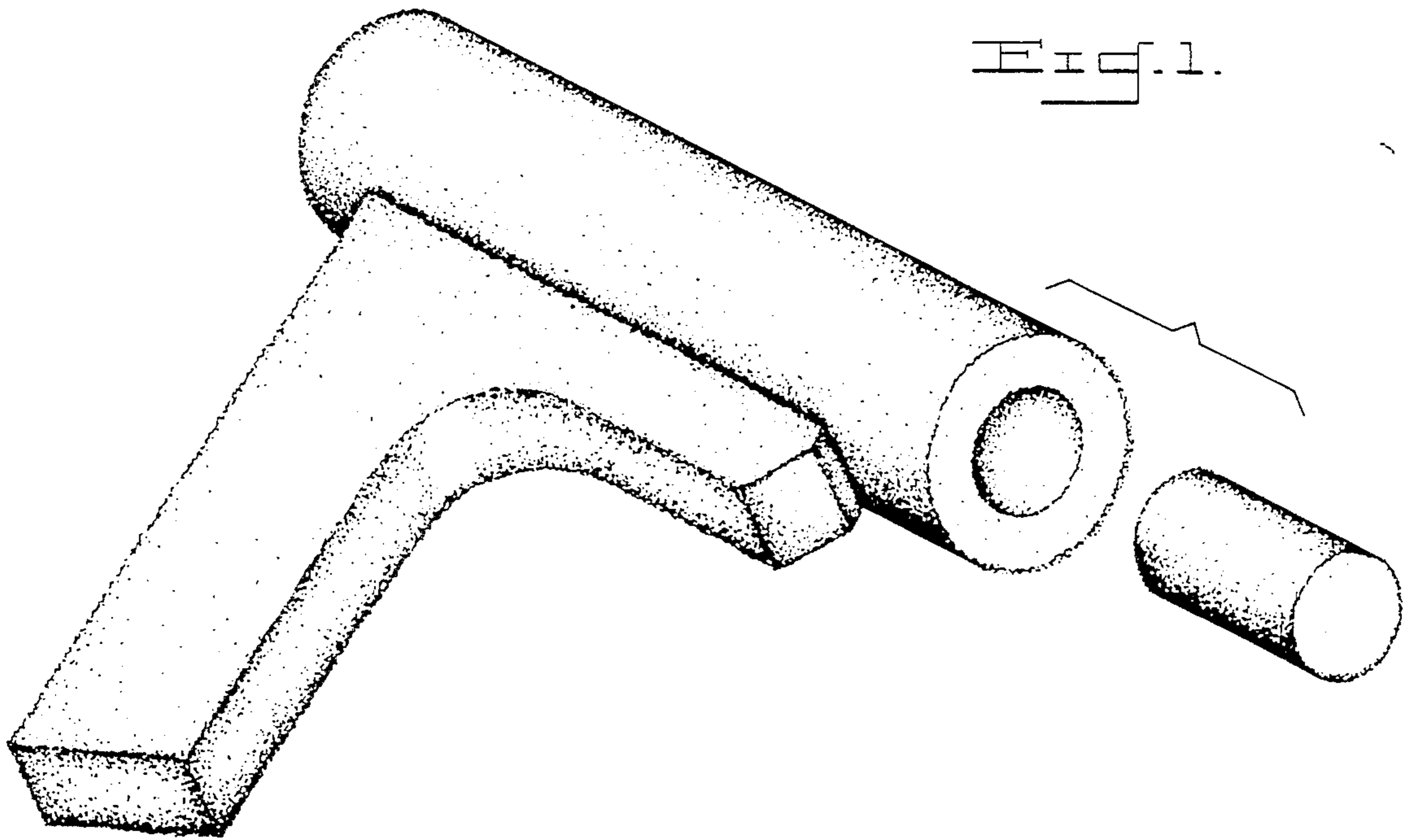


Fig. 3.

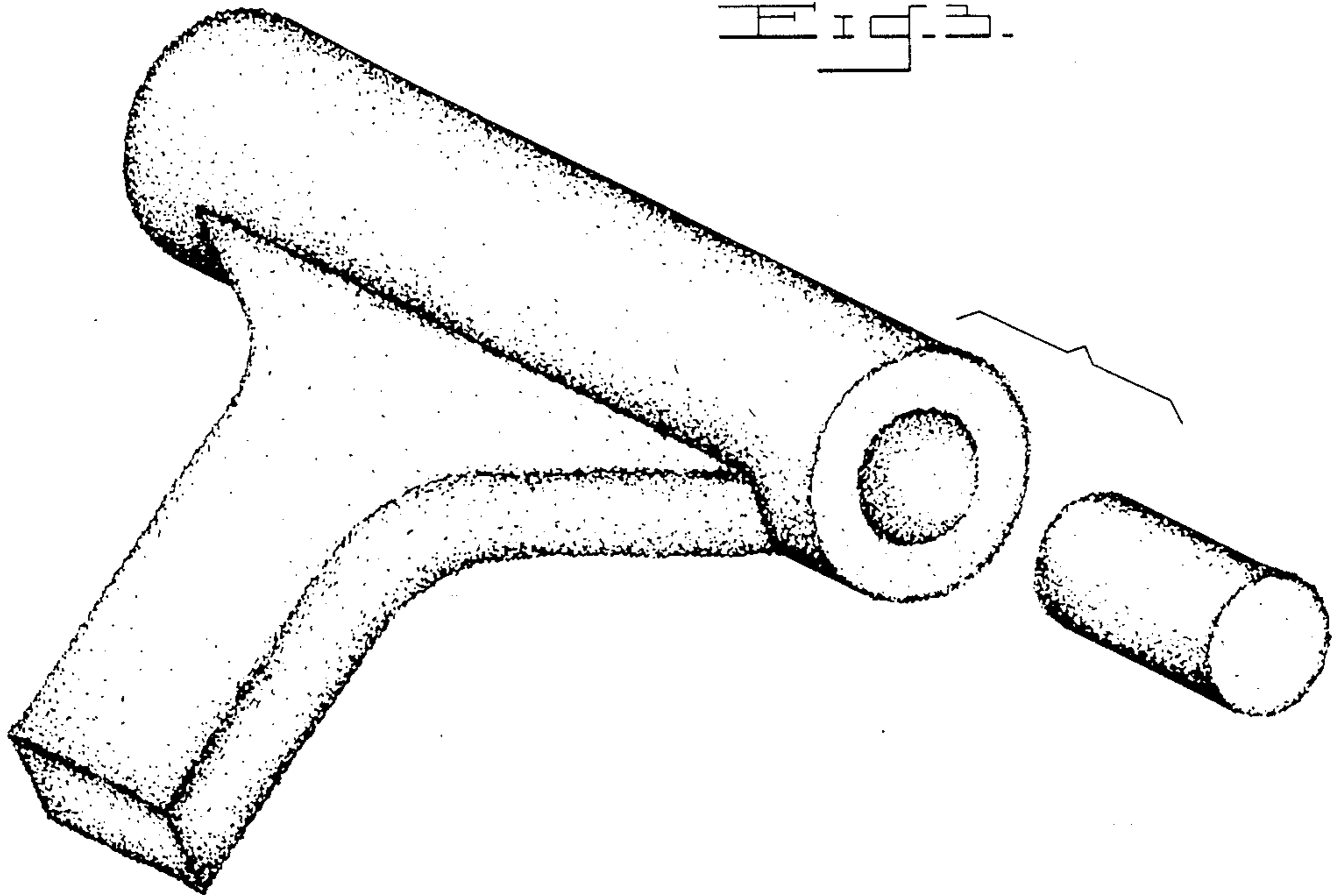


Fig. 4

