

[54] **COMBINED TOY TELEPHONE AND DESK**

D. 279,372 6/1985 Baba et al. D14/63

[75] Inventor: **Pietro Catelli, Como, Italy**

[73] Assignee: **Artsana S.p.A., Italy**

[**] Term: **14 Years**

[21] Appl. No.: **518,151**

[22] Filed: **Jul. 28, 1983**

[52] U.S. Cl. **D21/111**

[58] Field of Search D21/59, 111, 109;
D14/63, 64, 53; 179/103, 100 R, 100 D, 178,
179; 446/141, 142

[56] **References Cited**

U.S. PATENT DOCUMENTS

- | | | | |
|------------|--------|-----------------------|---------|
| D. 207,715 | 5/1967 | Ryan et al. | D21/111 |
| D. 263,611 | 3/1982 | Bergman | D21/111 |
| D. 265,087 | 6/1982 | Yamaguchi et al. | D14/53 |
| D. 269,179 | 5/1983 | Foggia et al. | D14/53 |

OTHER PUBLICATIONS

Hong Kong Toy Catalog, 1983, p. 176, Toy Tele-
phones.

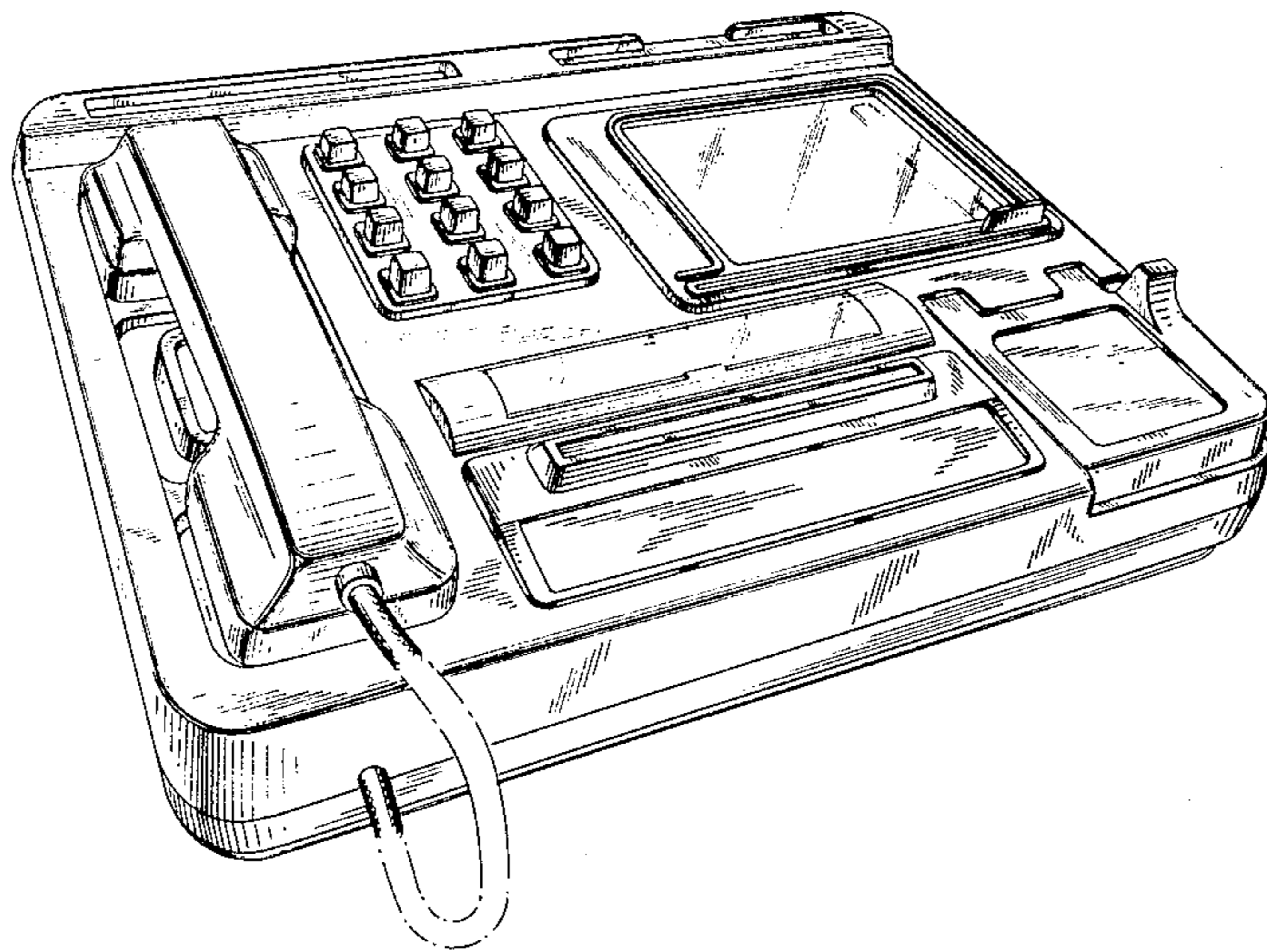
Primary Examiner—Charles A. Rademaker
Attorney, Agent, or Firm—Steinberg & Raskin

[57] **CLAIM**

The ornamental design for a combined toy telephone
and desk, as shown.

DESCRIPTION

FIG. 1 is a perspective view of a combined toy tele-
phone and desk showing my new design;
FIG. 2 is a top plan view thereof;
FIG. 3 is a left side elevational view thereof;
FIG. 4 is a front elevational view thereof;
FIG. 5 is a right side elevational view thereof;
FIG. 6 is a rear elevational view thereof; and
FIG. 7 is a bottom plan view thereof.



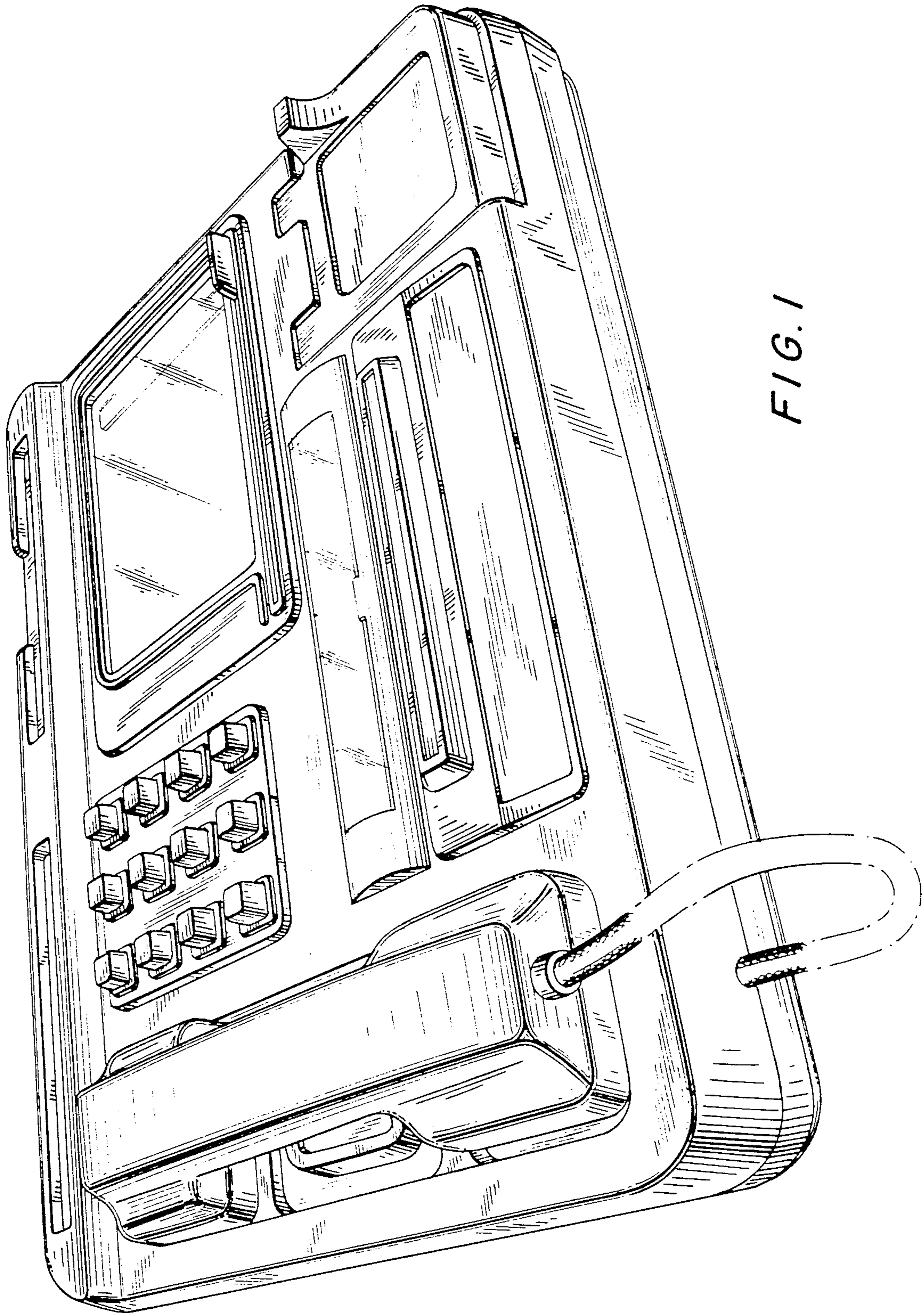


FIG. 1

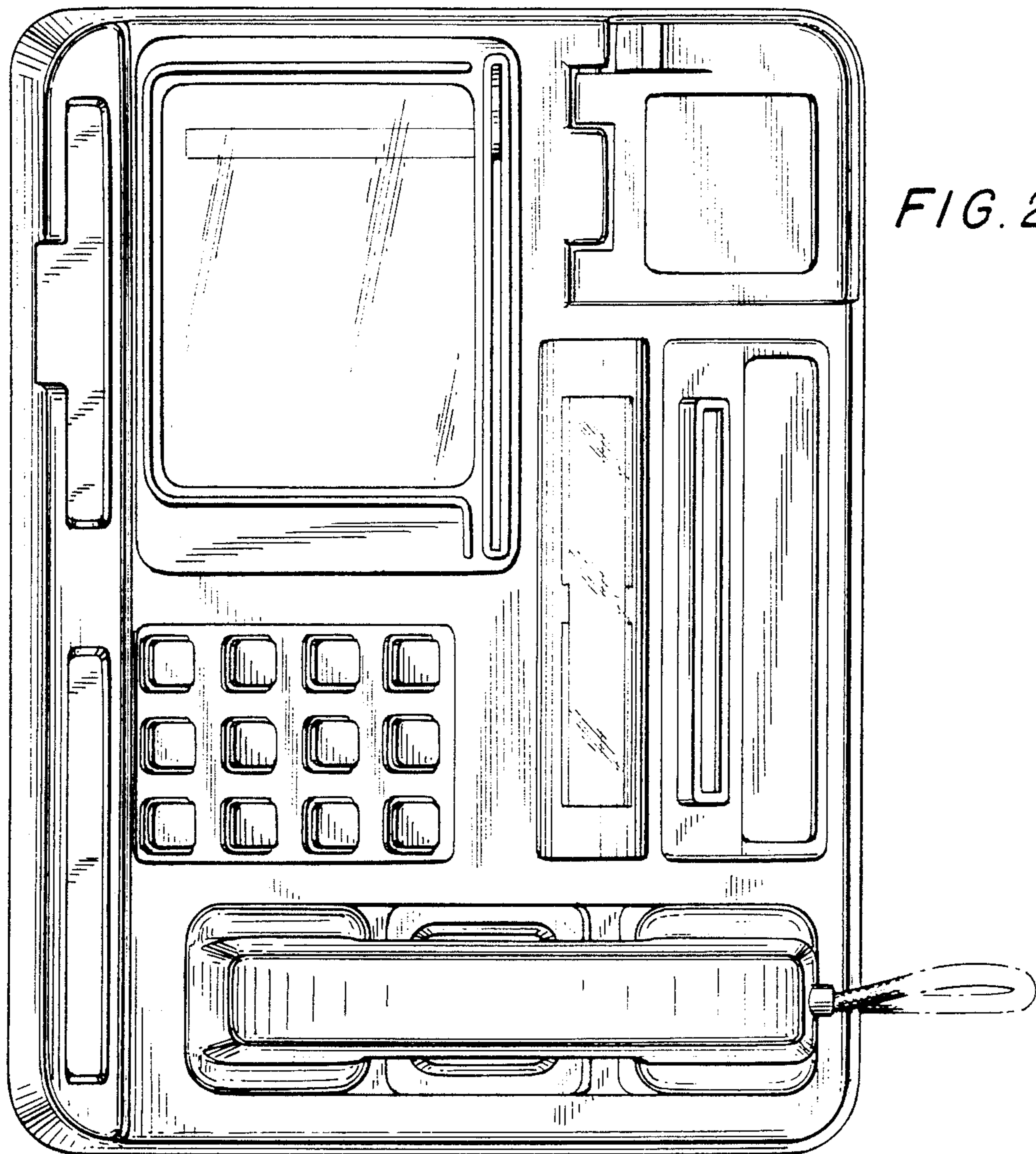


FIG. 2

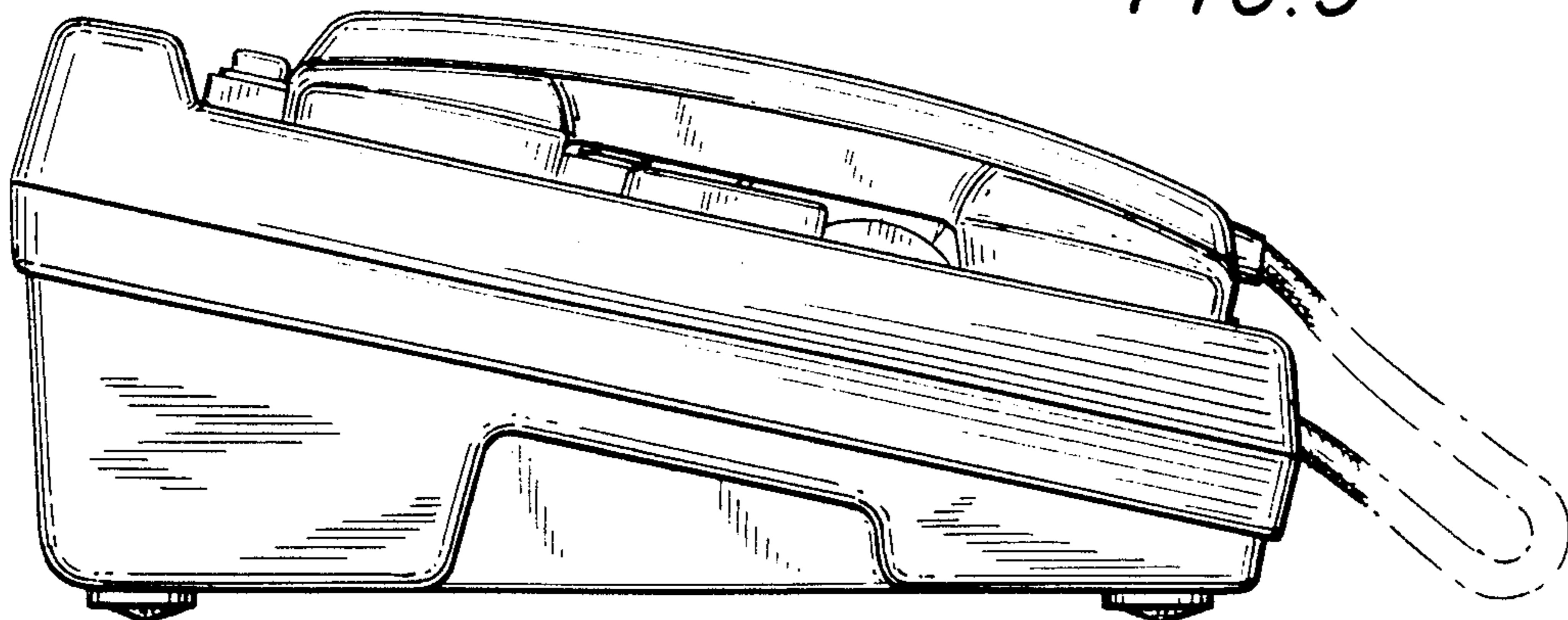


FIG. 3

FIG. 4

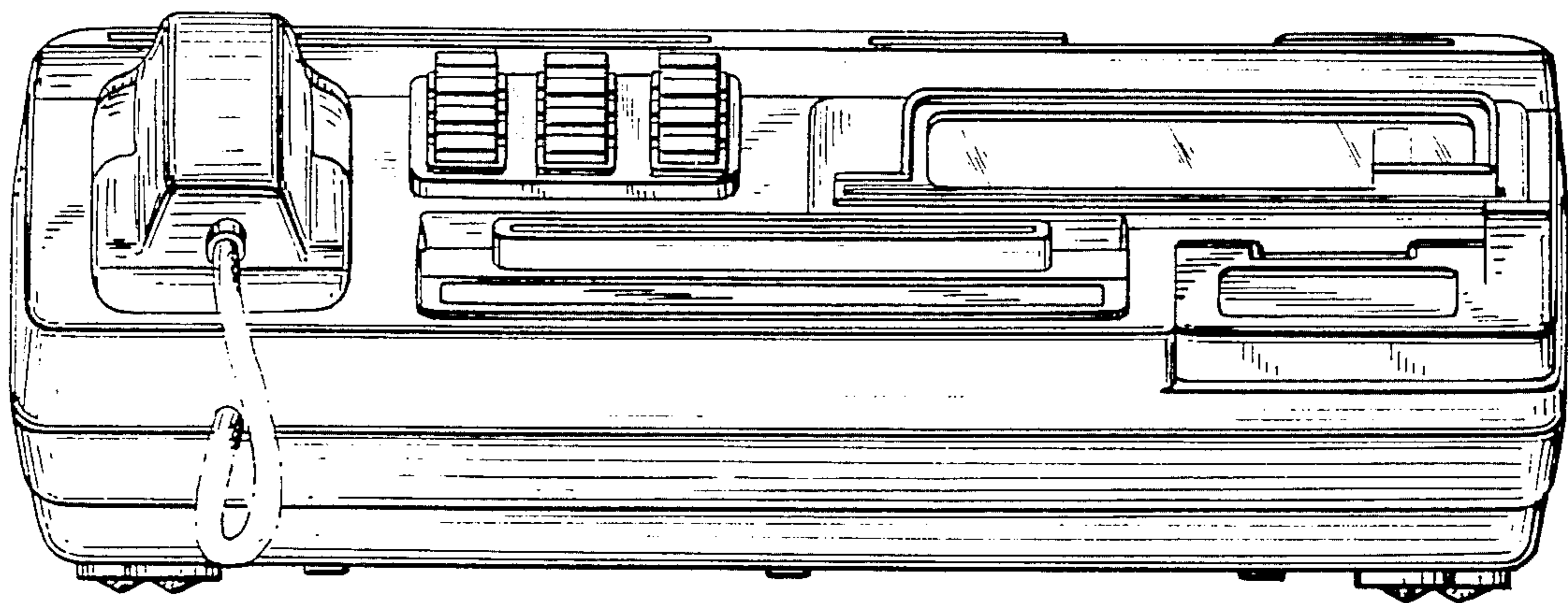


FIG. 5

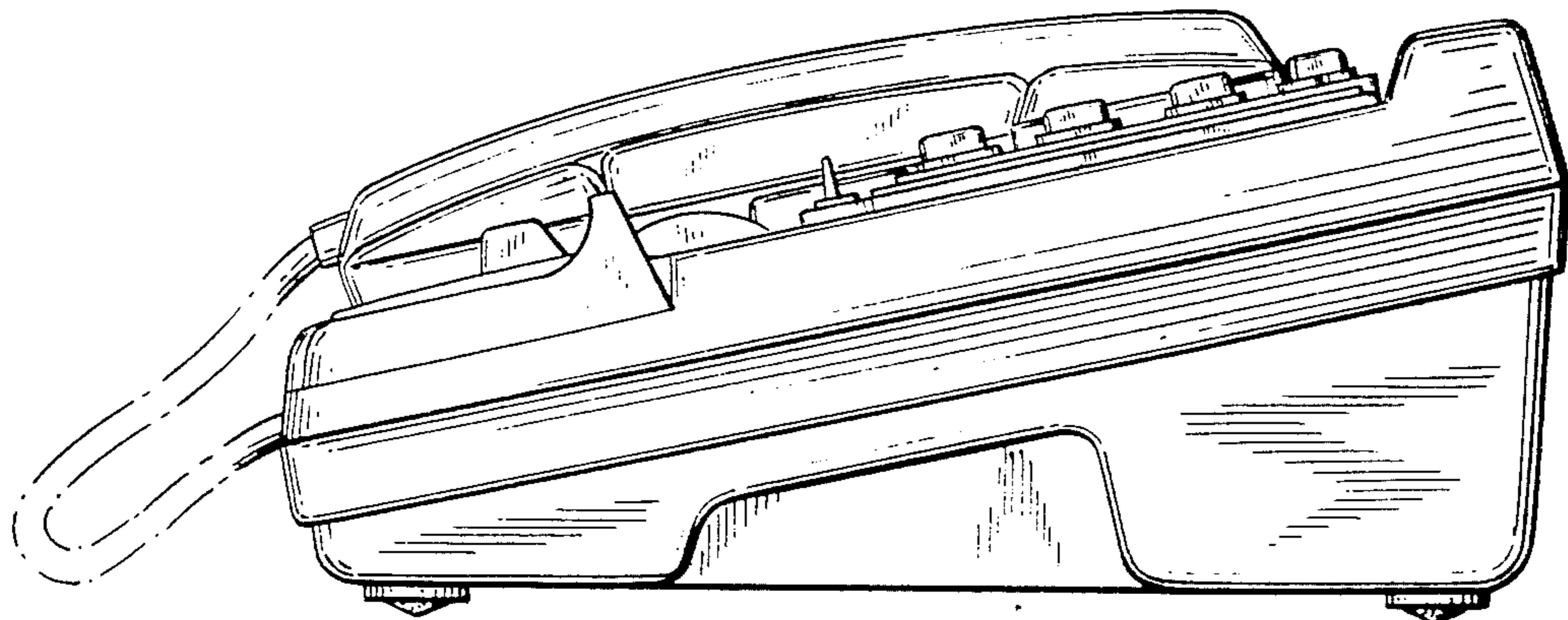


FIG. 6

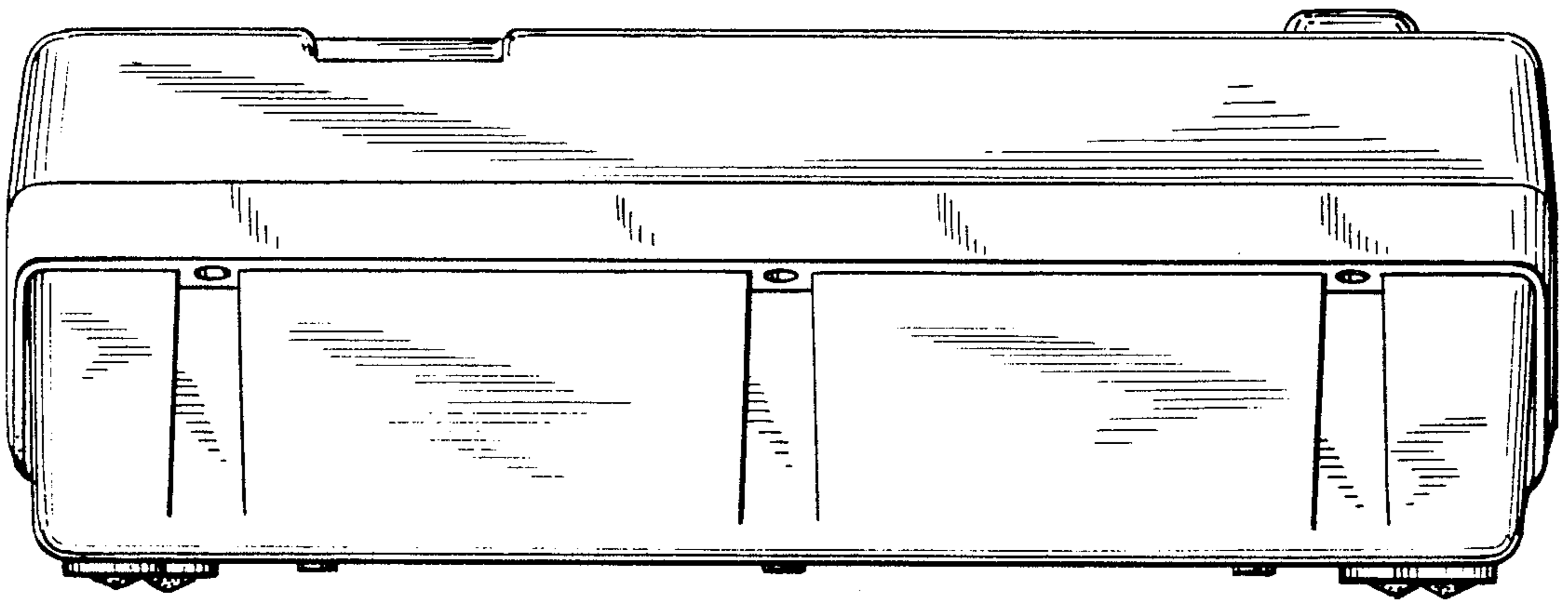


FIG. 7

