

[54] PLAY CASE FOR A TOY DOCTOR KIT OR SIMILAR ARTICLE

D. 273,578 4/1984 Hsu ..... D3/76

[75] Inventor: Pietro Catelli, Como, Italy

[73] Assignee: Artsana S.p.A., Italy

[\*\*] Term: 14 Years

[21] Appl. No.: 518,131

[22] Filed: Jul. 28, 1983

[52] U.S. Cl. .... D21/109; D3/76

[58] Field of Search ..... D21/59, 109, 121; 446/1, 487, 491; D3/76, 73, 53; D9/375, 171, 182, 219, 231, 242

[56] References Cited

U.S. PATENT DOCUMENTS

- D. 186,644 11/1959 Gwinn ..... D3/76
- D. 196,415 9/1963 Telford ..... D3/76
- D. 232,129 7/1974 Evans ..... D3/76
- D. 261,671 11/1981 Livesey ..... D21/109

OTHER PUBLICATIONS

Sears Xmas Catalog, 1982, p. 584, Item 4, "Doctor Play Kit".

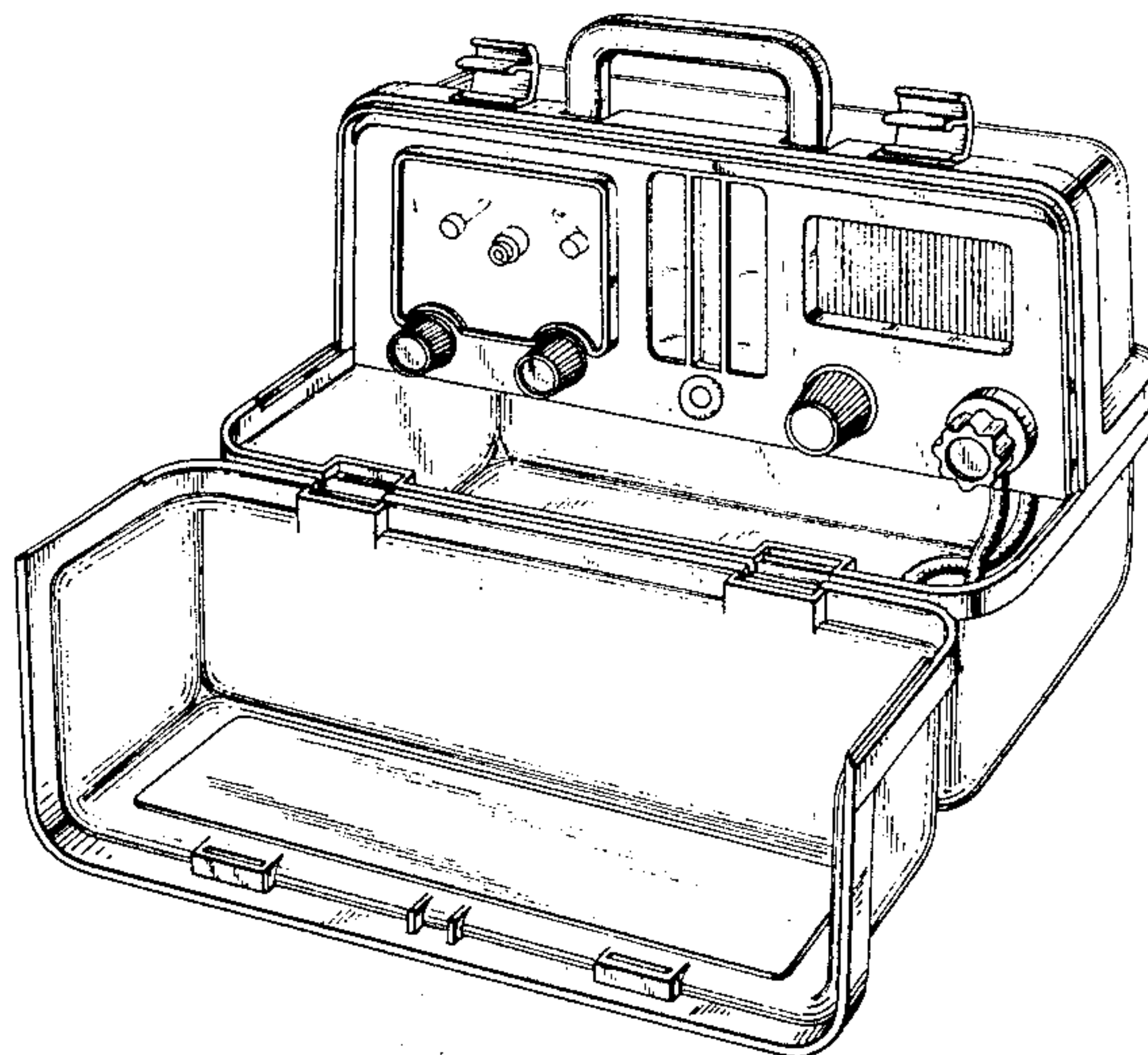
Primary Examiner—Charles A. Rademaker  
Attorney, Agent, or Firm—Steinberg & Raskin

[57] CLAIM

The ornamental design for a play case for a toy doctor kit or similar article, as shown and described.

DESCRIPTION

FIG. 1 is a perspective view of a play case for toy doctor kit or similar article showing my new design;  
 FIG. 2 is a left side elevational view thereof, the right side elevational view being substantially a mirror image thereof;  
 FIG. 3 is a top plan view thereof;  
 FIG. 4 is a front elevational view thereof;  
 FIG. 5 is a rear elevational view thereof; and  
 FIG. 6 is a bottom plan view thereof.



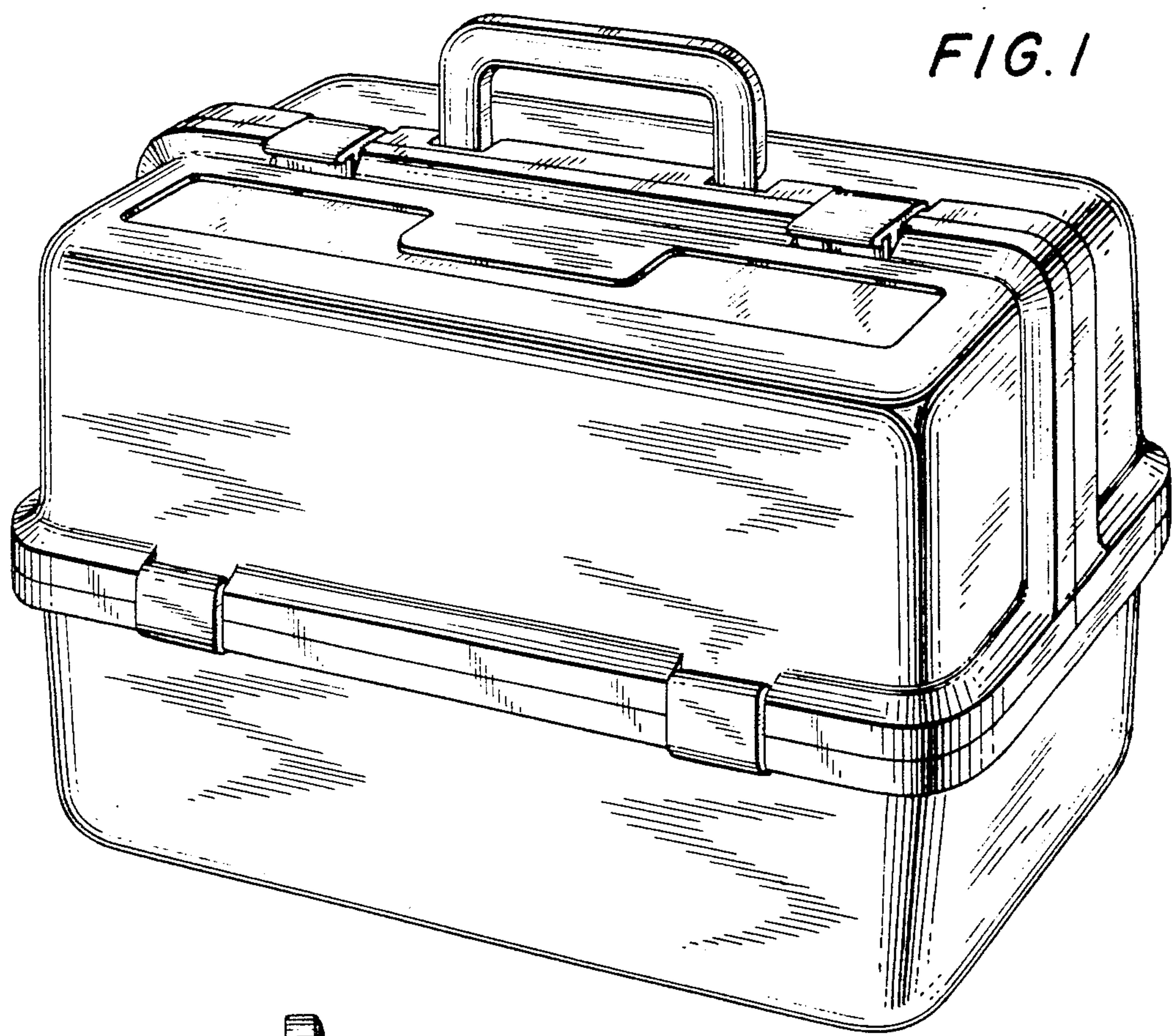


FIG. 1

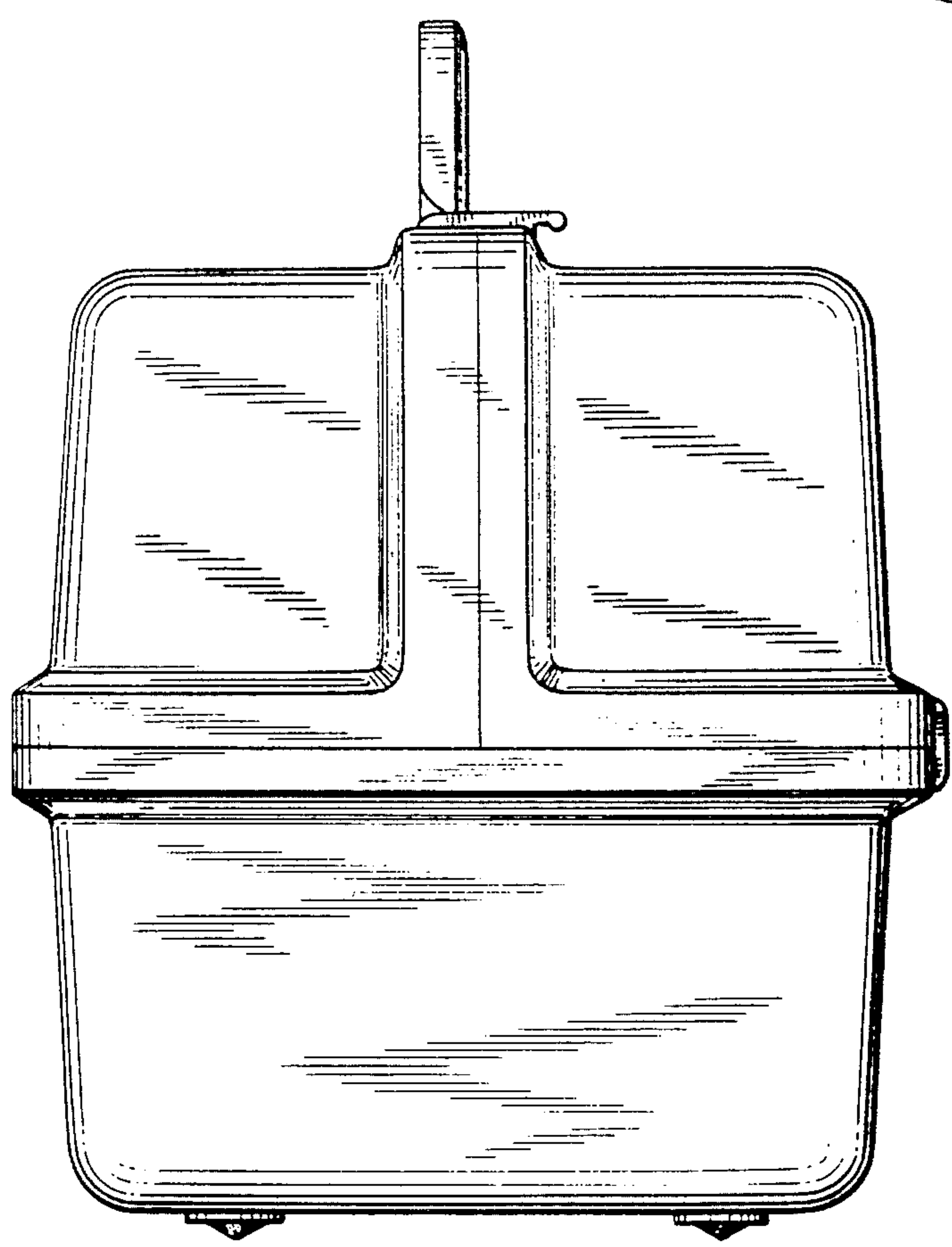
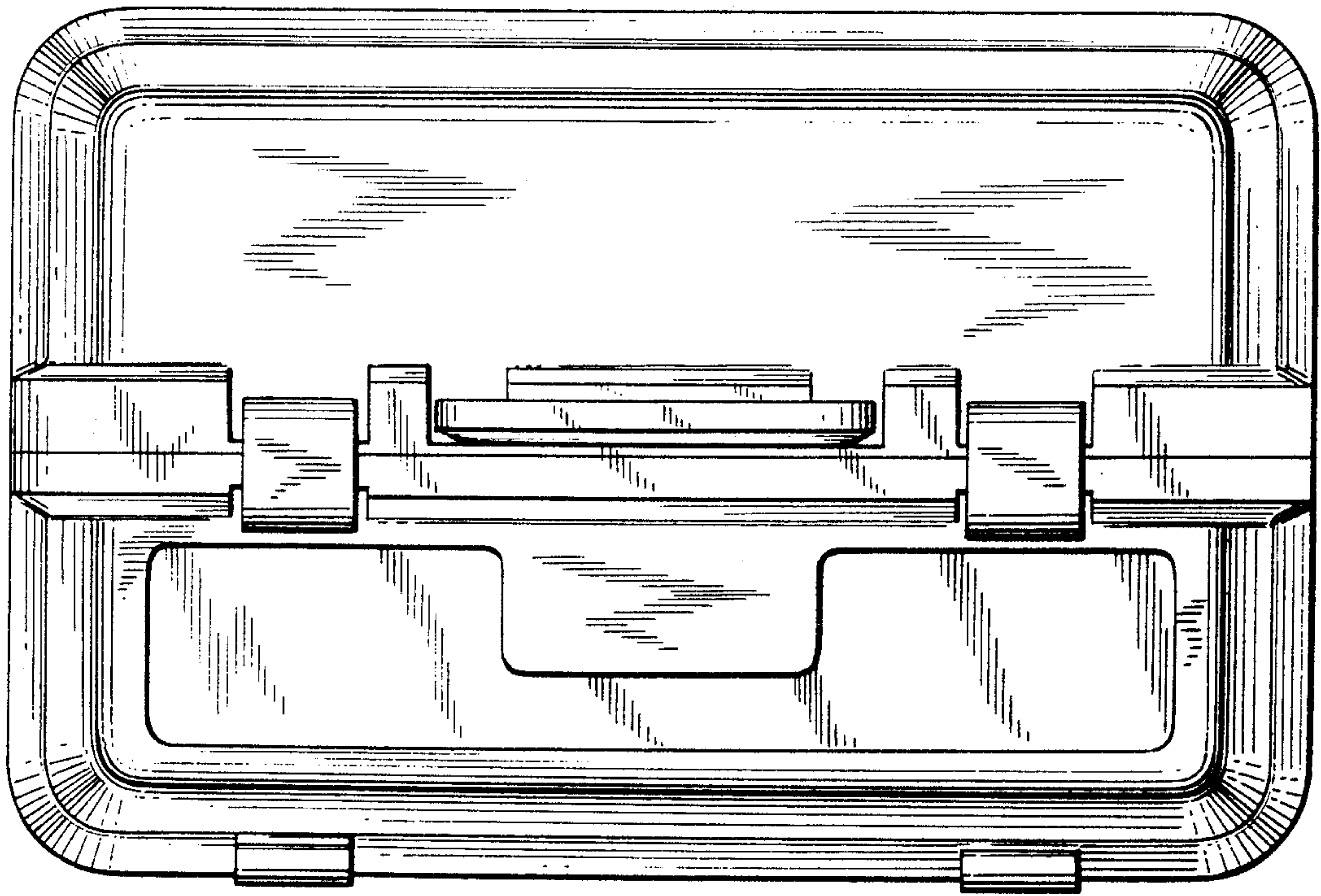
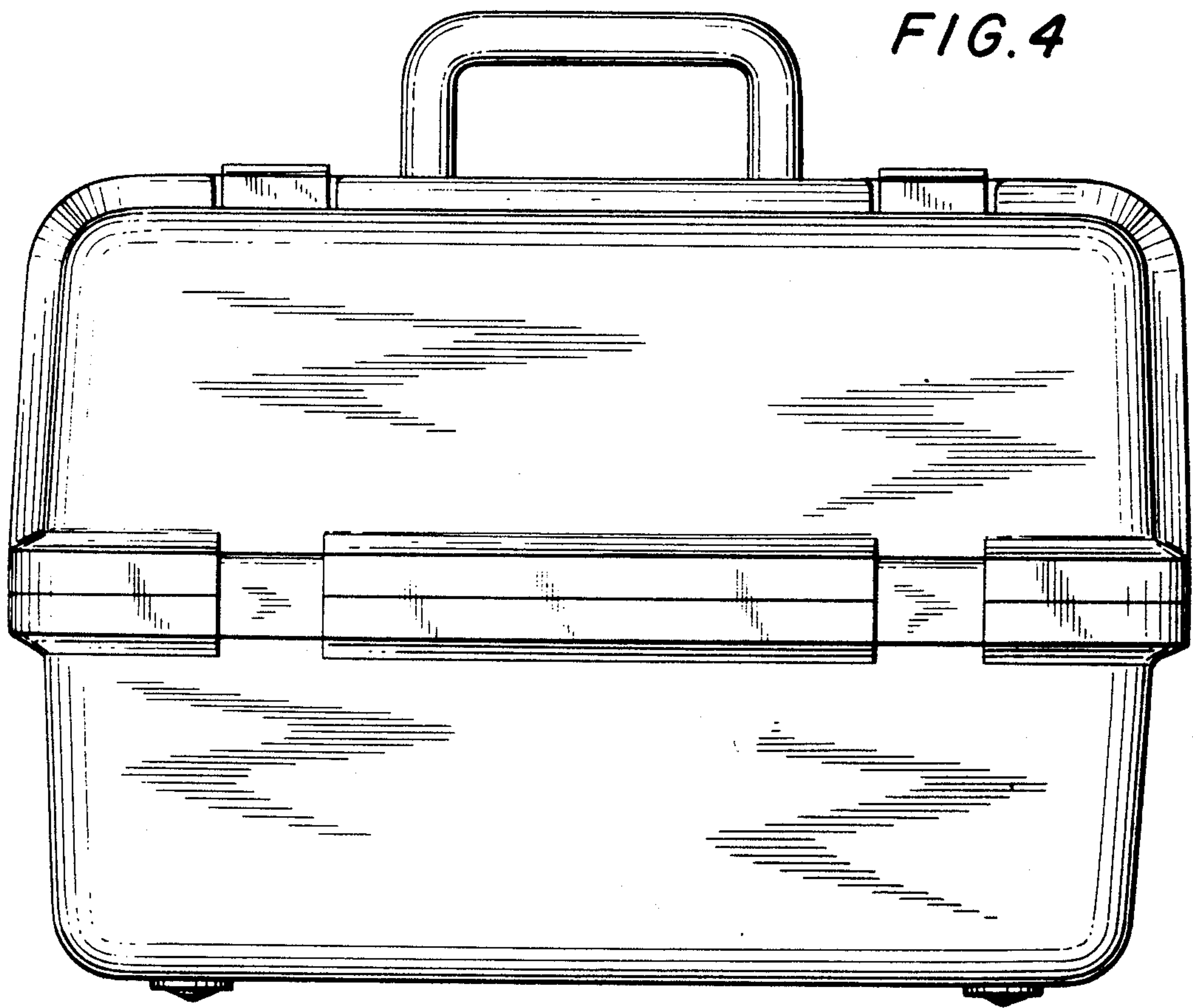


FIG. 2



**FIG. 3**



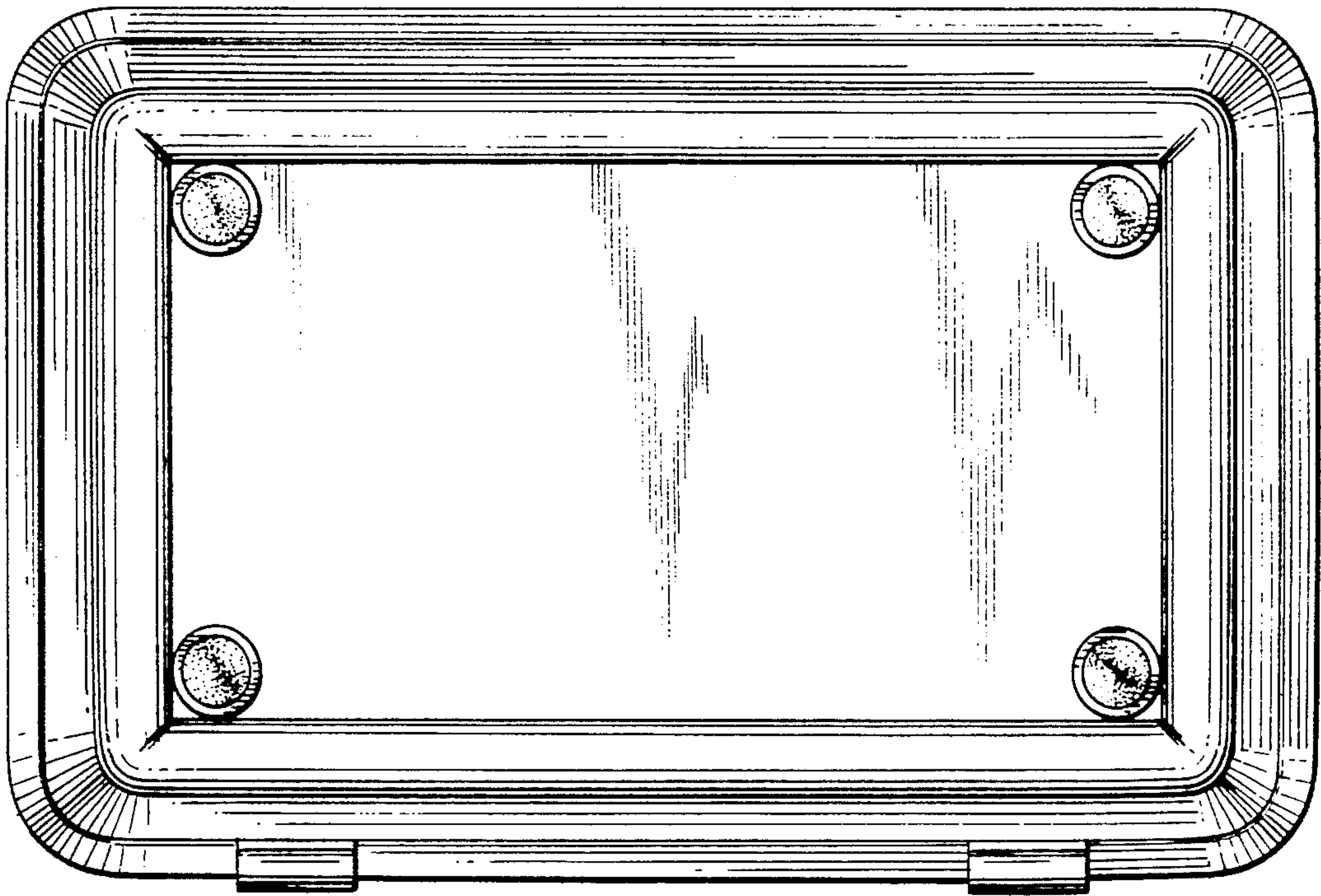
**FIG. 4**



*FIG. 5*



*FIG. 6*



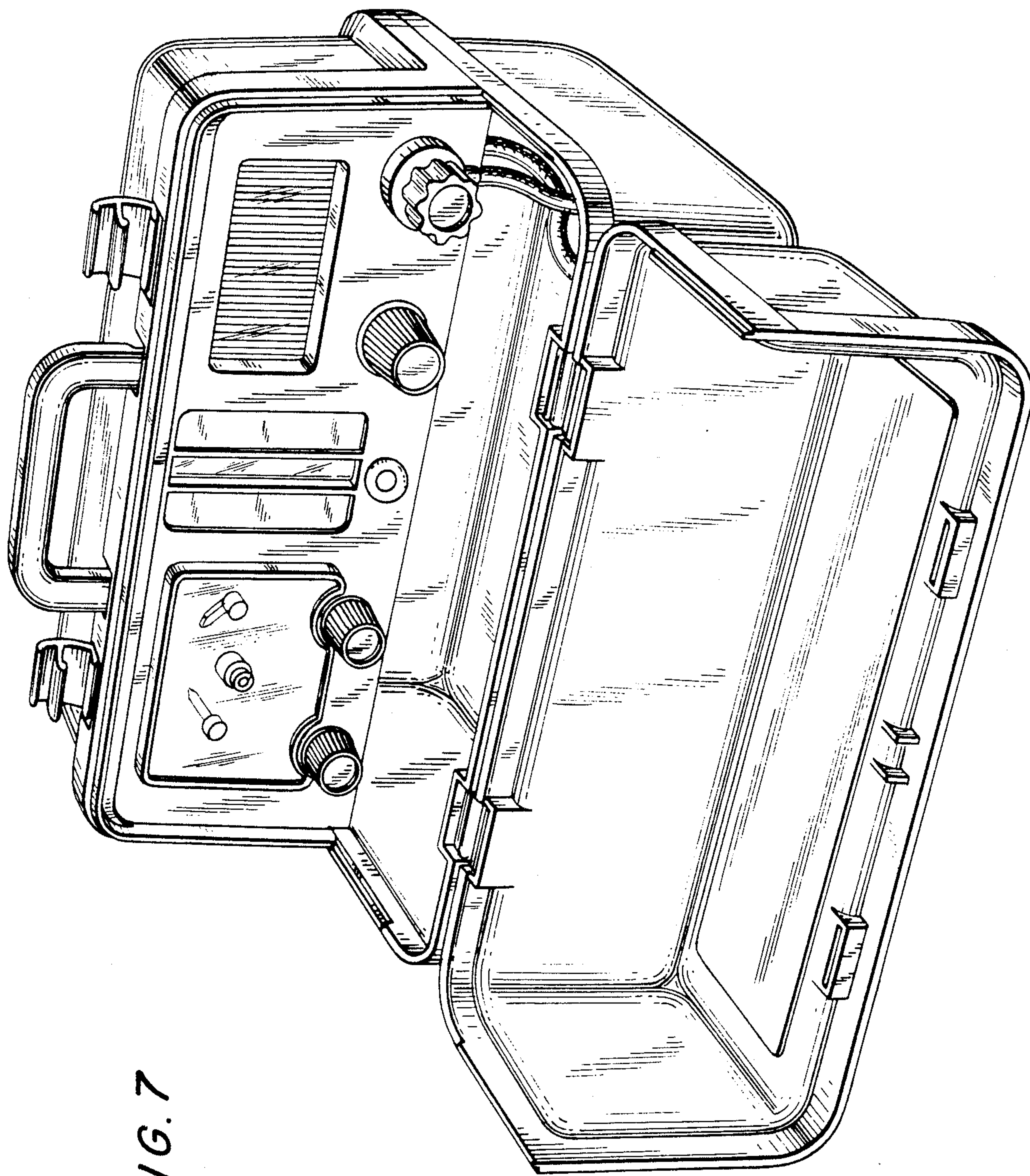


FIG. 7