

[54] **ACTIVITY TOY**

[75] **Inventor: Pietro Catelli, Como, Italy**

[73] **Assignee: Artsana S.p.A., Italy**

[**] **Term: 14 Years**

[21] **Appl. No.: 518,153**

[22] **Filed: Jul. 28, 1983**

[52] **U.S. Cl. D21/63**

[58] **Field of Search D21/59, 63, 64, 109;
D19/62; 446/227, 404**

[56] **References Cited**

U.S. PATENT DOCUMENTS

- D. 236,141 7/1975 Snyder D21/111
- D. 245,638 8/1977 Margaretha D21/63
- D. 268,275 3/1983 Greenberg D21/63

OTHER PUBLICATIONS

Hong Kong Toys 1983, p. 59, Activity Toys near top of page and near bottom left corner.

Primary Examiner—Charles A. Rademaker
Attorney, Agent, or Firm—Steinberg & Raskin

[57] **CLAIM**

The ornamental design for an activity toy, as shown and described.

DESCRIPTION

FIG. 1 is a perspective view of an activity toy showing my new design;

FIG. 2 is a top plan view thereof;

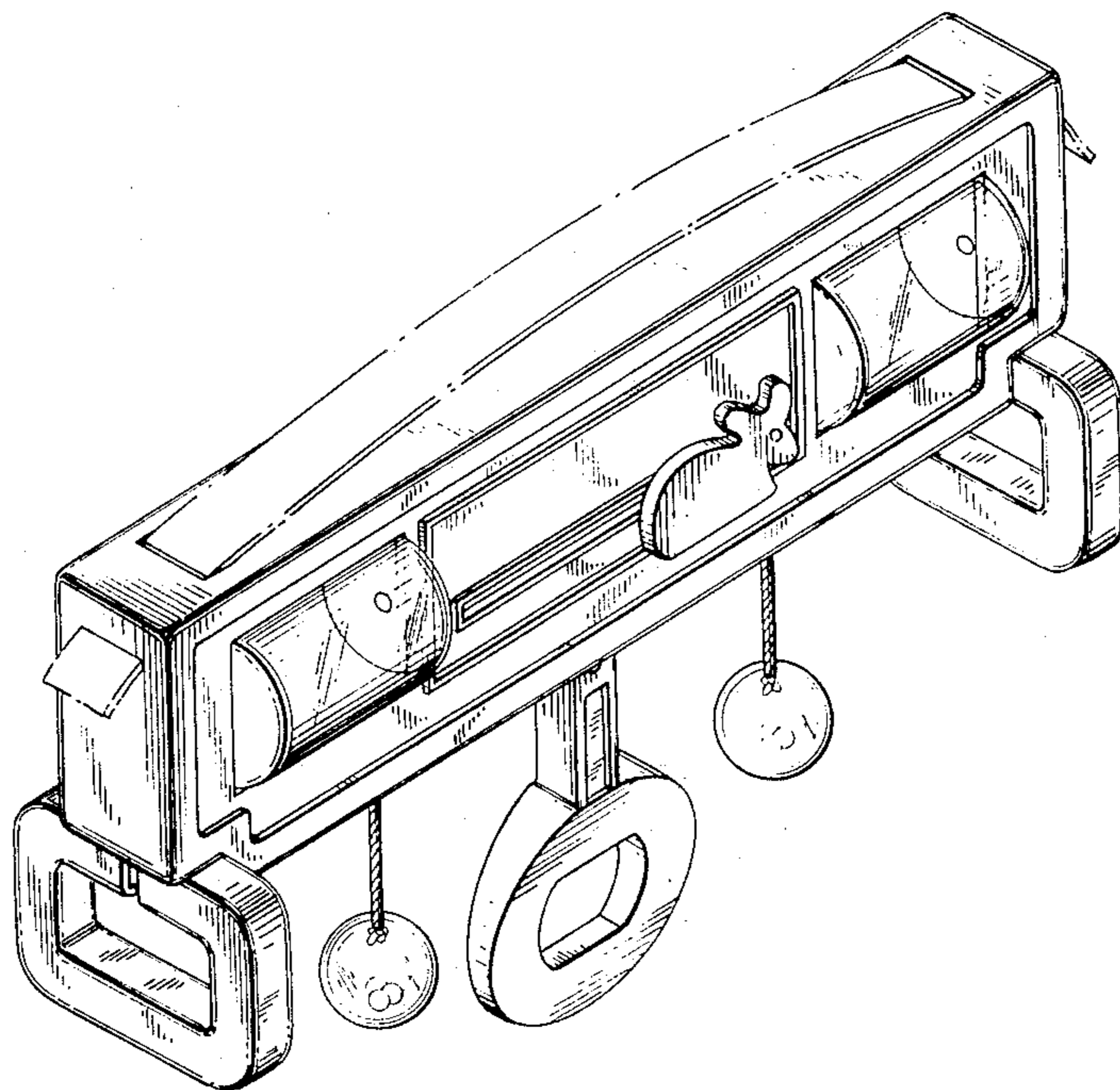
FIG. 3 is a front elevational view thereof;

FIG. 4 is a right side elevational view thereof, the left side elevational view being a substantial mirror image thereof;

FIG. 5 is a rear elevational view thereof; and

FIG. 6 is a bottom plan view thereof.

The broken line showing of the strap member is for illustrative purposes only and forms no part of the claimed design.



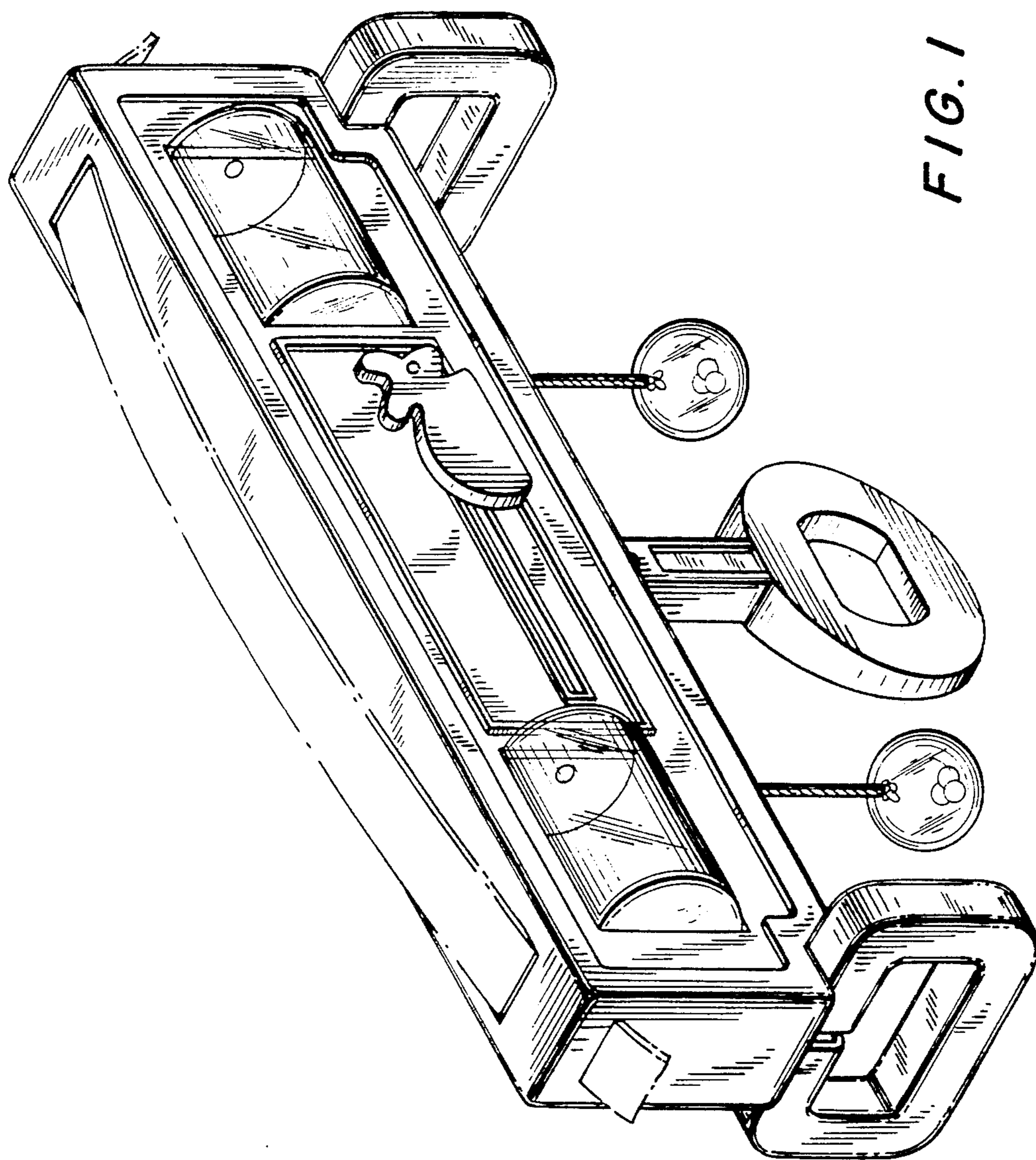


FIG. 1

FIG. 2

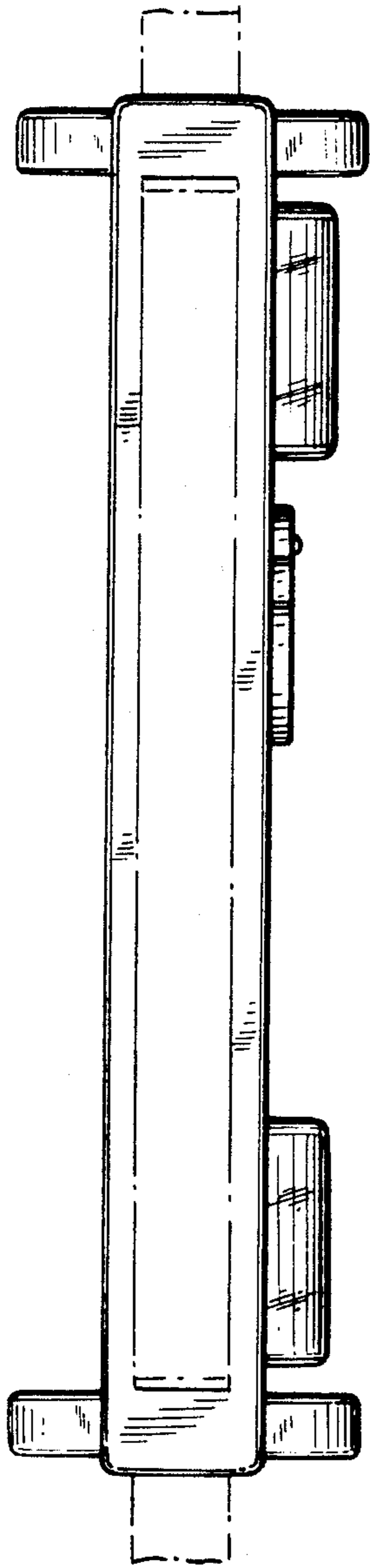


FIG. 4

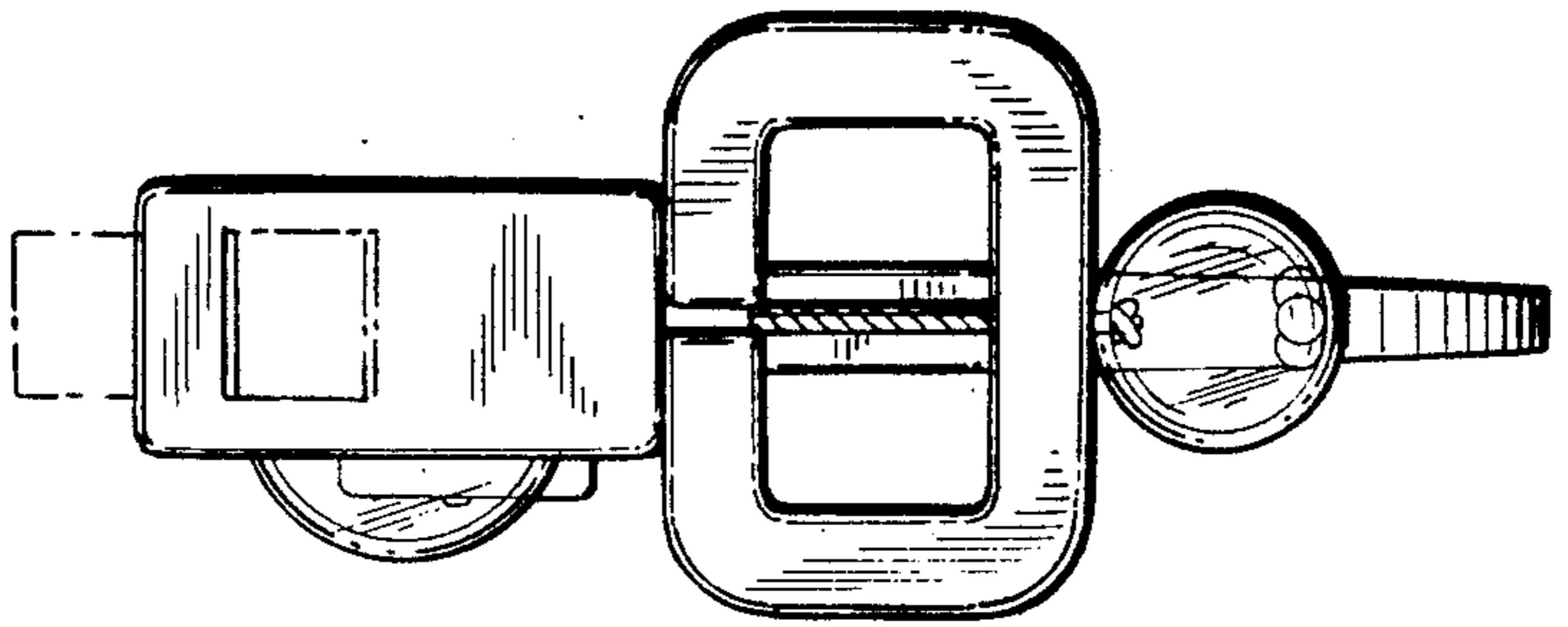
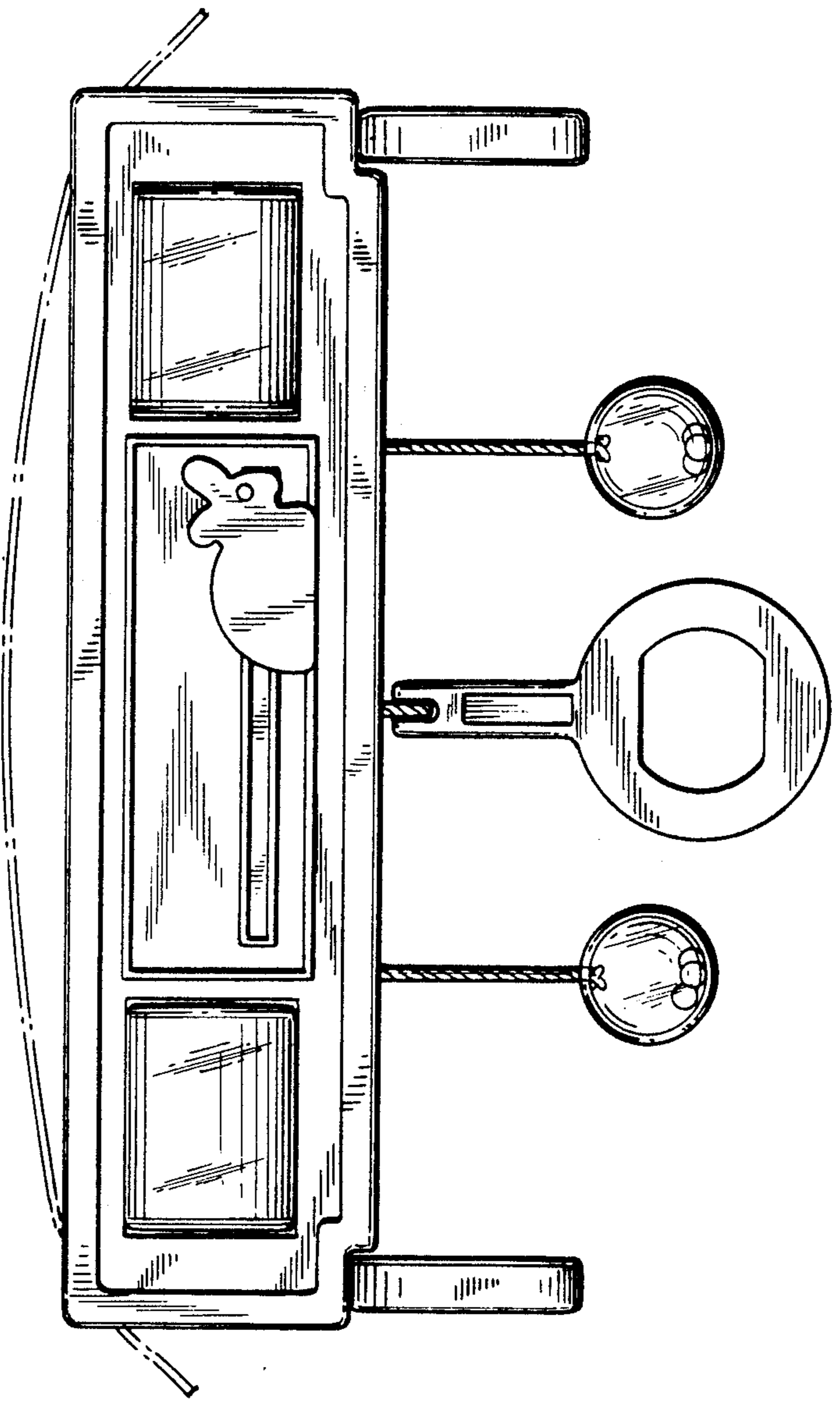


FIG. 3



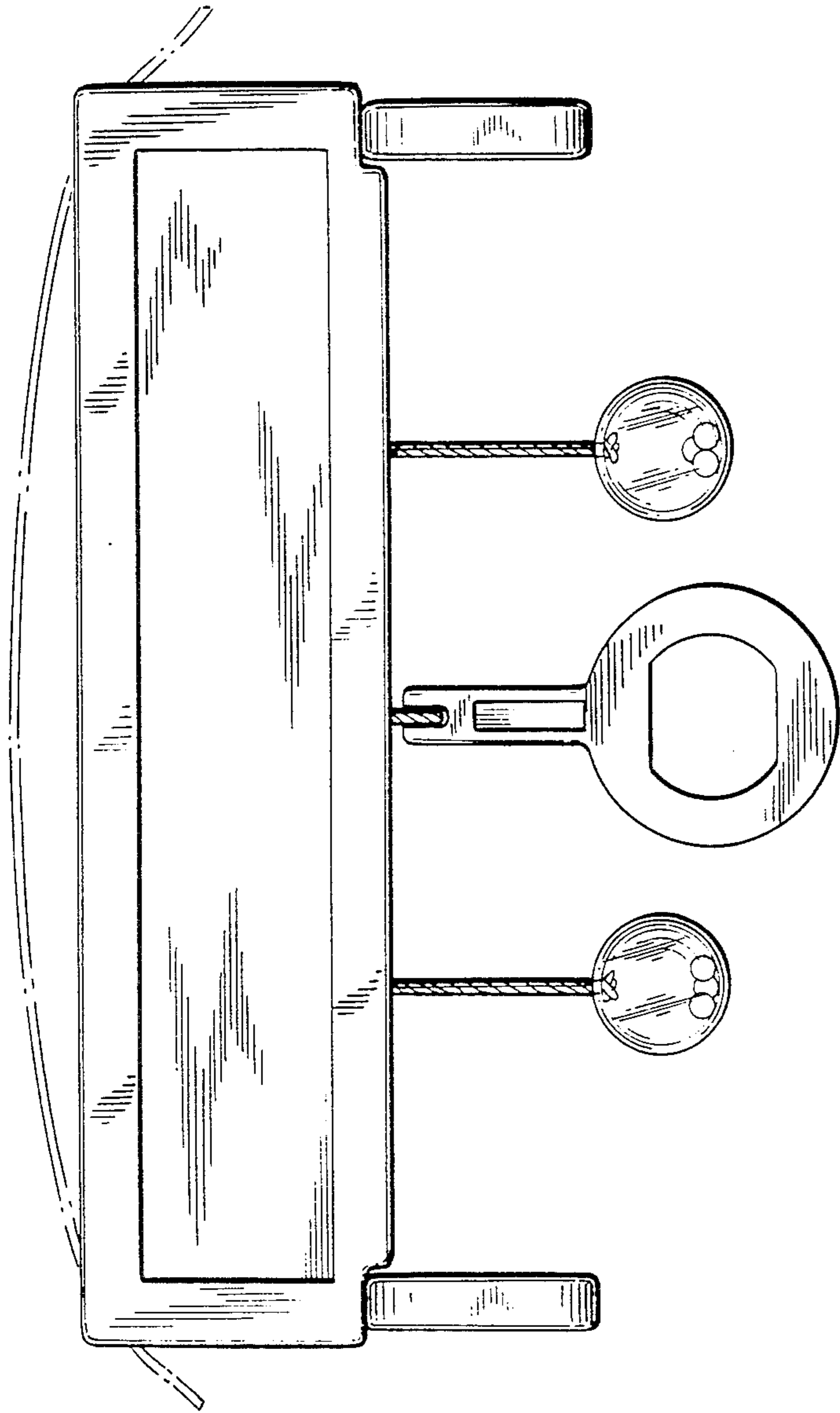


FIG. 5

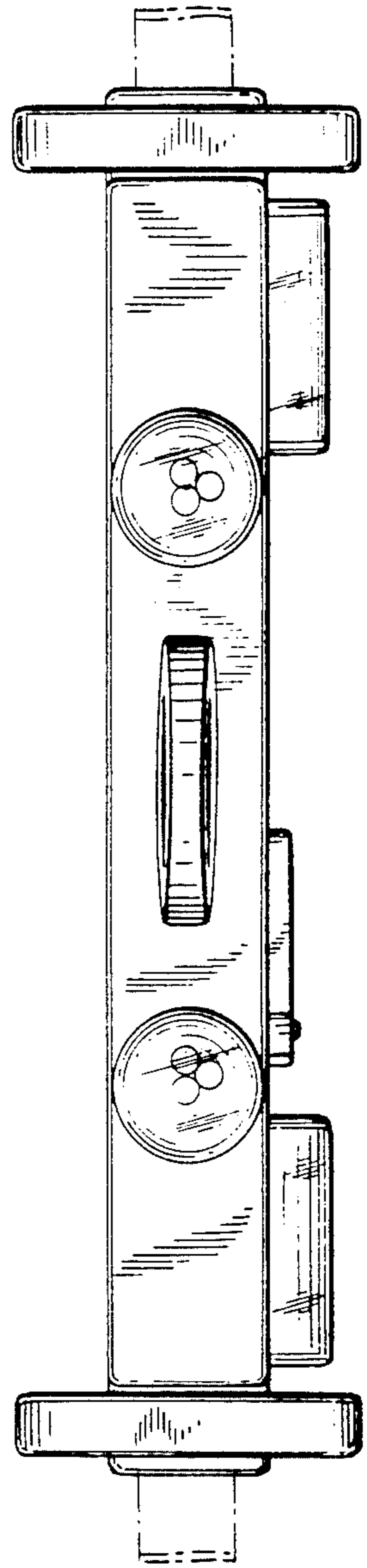


FIG. 6