

[54] **HANGING FILE BINDER**

[75] Inventor: **Karl Hirsch**, Klagenfurt, Austria

[73] Assignee: **Karl Hirsch Kunststofftechnik**,  
Klagenfurt, Austria

[\*\*] Term: **14 Years**

[21] Appl. No.: **319,152**

[22] Filed: **Nov. 6, 1981**

[30] **Foreign Application Priority Data**

May 13, 1981 [AT] Austria ..... 1539/81/Le  
[52] U.S. Cl. .... **D19/91; D19/26**  
[58] **Field of Search** ..... D19/26, 33, 99;  
312/184

[56] **References Cited**

**FOREIGN PATENT DOCUMENTS**

567548 6/1944 United Kingdom ..... 312/184

**OTHER PUBLICATIONS**

Devore Co. Cat. No. 77-1, 1977, p. 18, Item No. 5310.

*Primary Examiner*—George P. Word  
*Attorney, Agent, or Firm*—Martin A. Farber

[57] **CLAIM**

The ornamental design for a hanging file binder, as shown and described.

**DESCRIPTION**

FIG. 1 is a perspective view of a hanging file binder showing my new design;

FIG. 2 is a rear perspective view thereof;

FIG. 3 is an enlarged scale right side elevational view thereof, an intermediate portion being broken away and omitted for purposes of illustration;

FIG. 4 is a left side elevational view of FIG. 3;

FIG. 5 is an enlarged scale top plan view thereof, intermediate portions being broken away and omitted for convenience of illustration; and

FIG. 6 is a bottom plan view of FIG. 5.

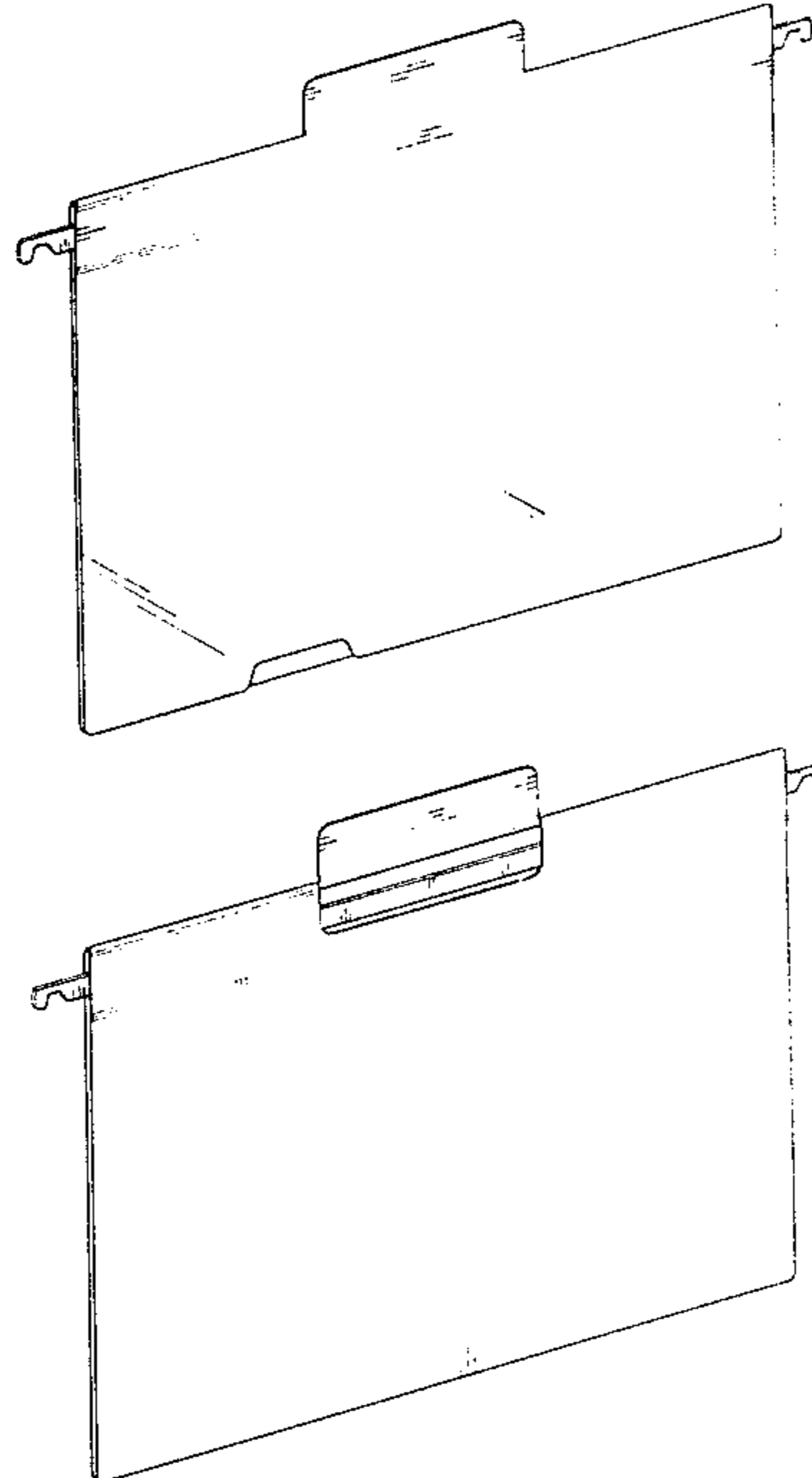


FIG. 1

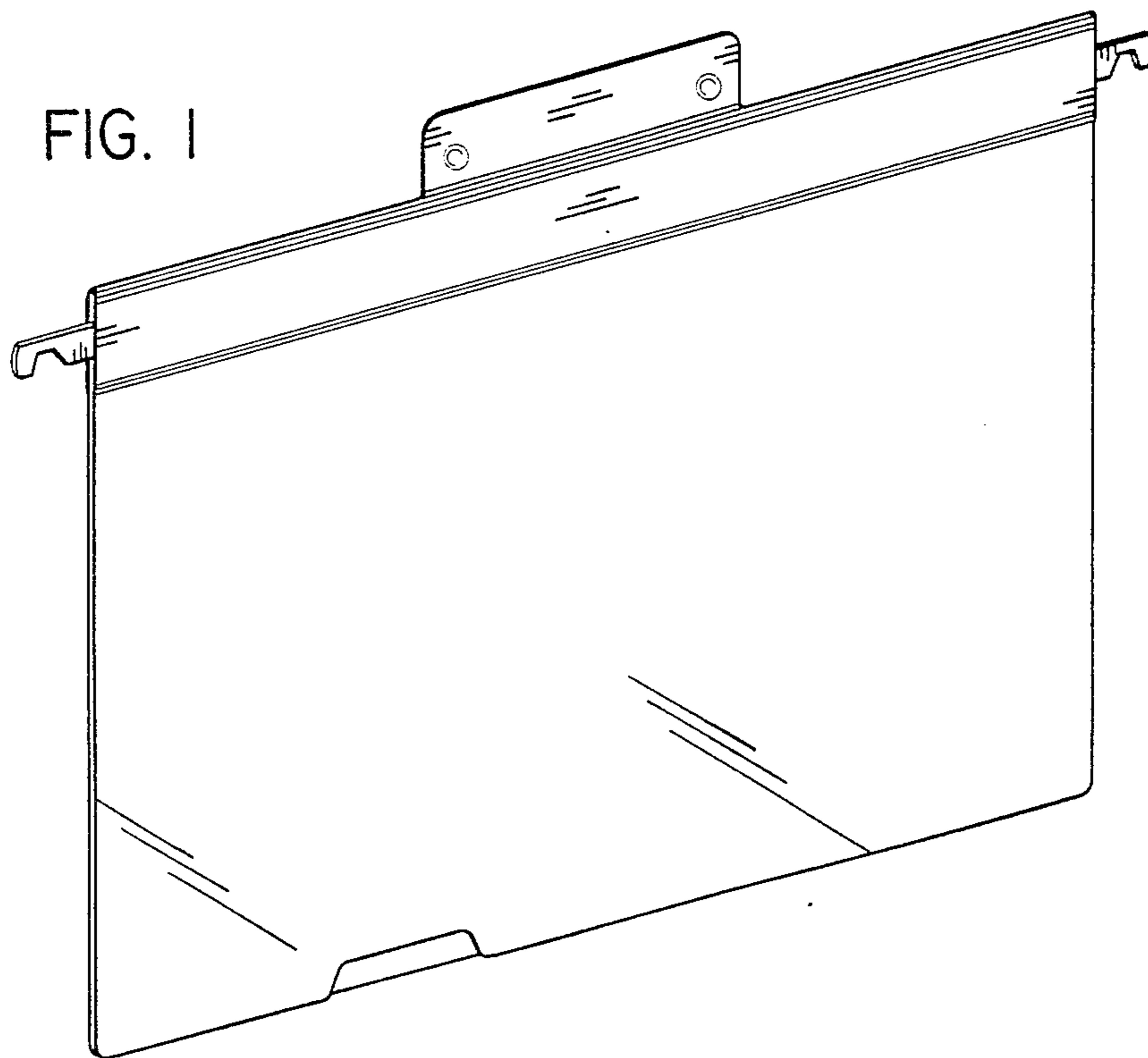


FIG. 2

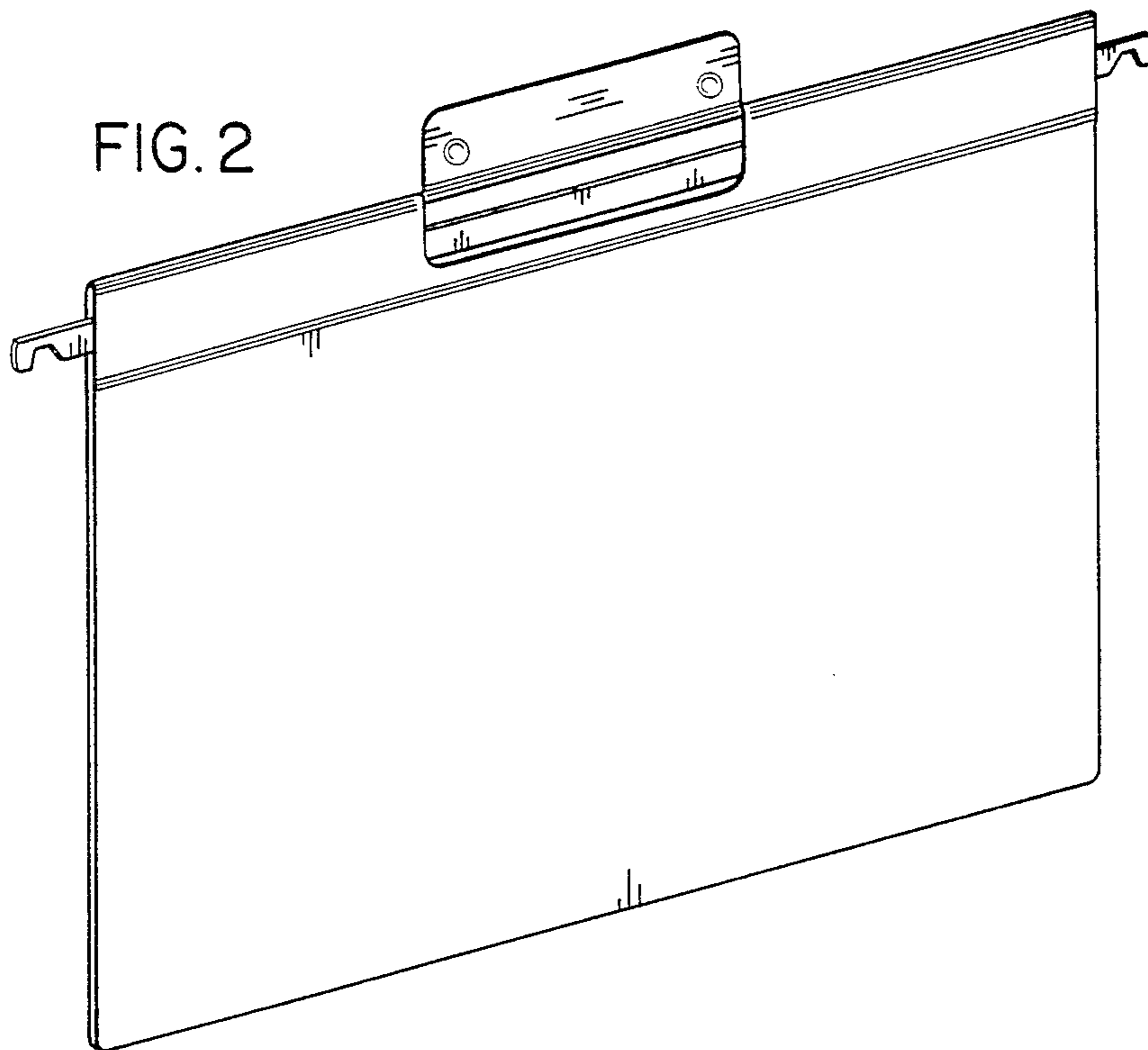




FIG. 4



FIG. 3

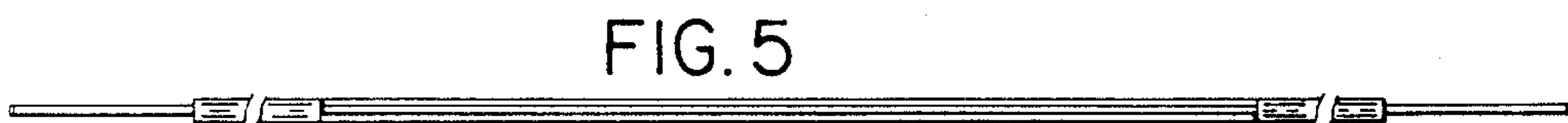


FIG. 5

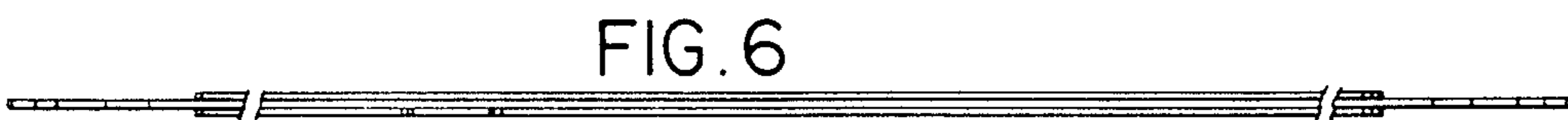


FIG. 6