

[54] COMBINED PEN HOLDER AND DESK TRAY

[76] Inventor: Joseph Cohen, 18345 Cecelia Way, Cerritos, Calif. 90701

[\*\*] Term: 14 Years

[21] Appl. No.: 559,632

[22] Filed: Dec. 9, 1983

[52] U.S. Cl. .... D19/78; D19/84; D19/92

[58] Field of Search ..... D19/3, 4, 20-23, D19/75, 77-85, 90-92

[56] References Cited

U.S. PATENT DOCUMENTS

D. 120,652 5/1940 Posnack ..... D19/78

D. 161,853 2/1951 Menning ..... D19/78  
D. 197,870 3/1964 Wildgen ..... D19/92  
D. 263,244 3/1982 Laughlin ..... D19/92

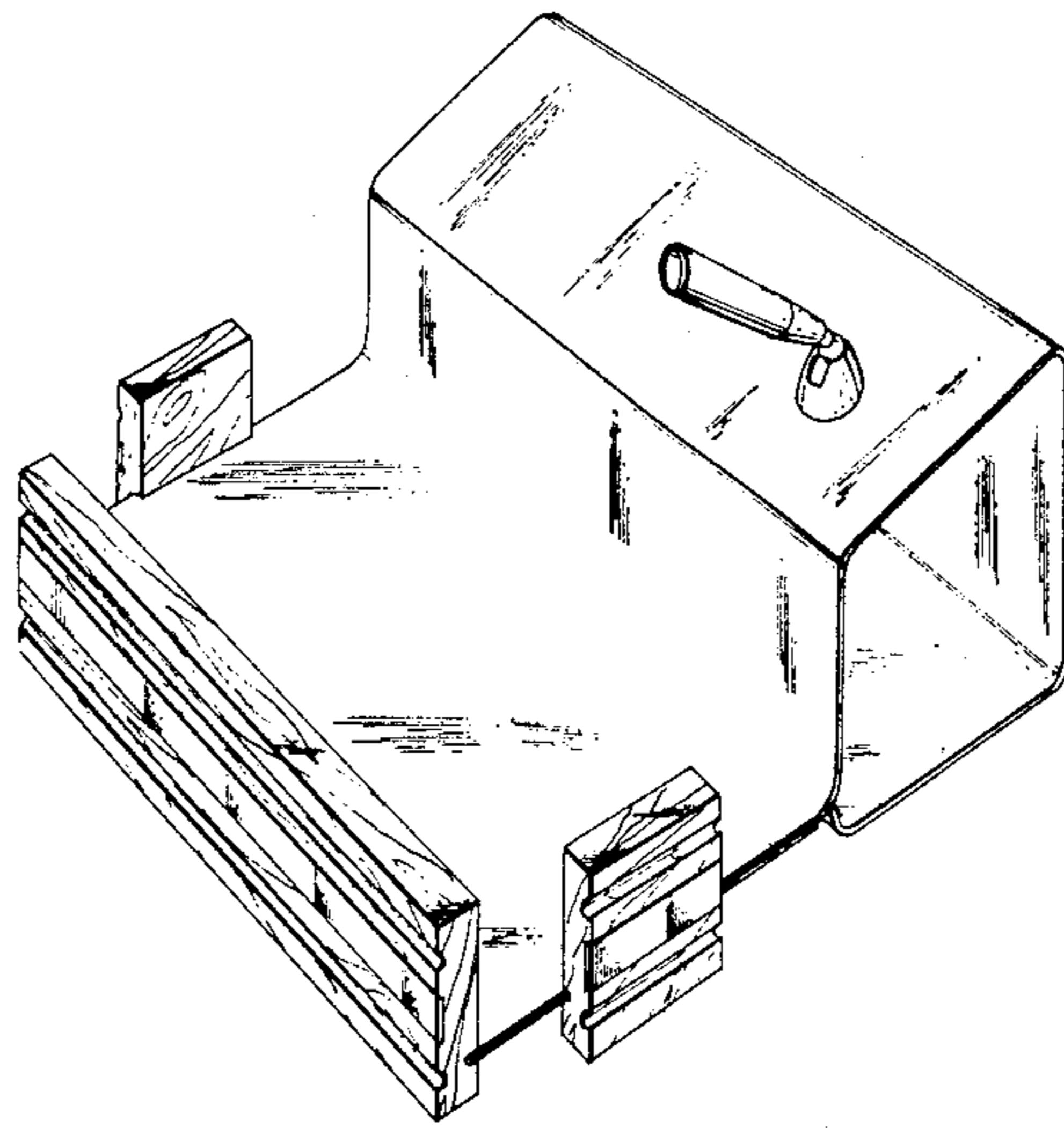
Primary Examiner—George P. Word

[57] CLAIM

The ornamental design for a combined pen holder and desk tray, as shown.

DESCRIPTION

FIG. 1 is a front perspective view of a combined pen holder and desk tray showing my new design; FIG. 2 is a front elevational view thereof; FIG. 3 is a rear elevational view thereof; FIG. 4 is a top plan view thereof; FIG. 5 is a bottom plan view thereof; FIG. 6 is a left side elevational view thereof; and FIG. 7 is a right side elevational view thereof.



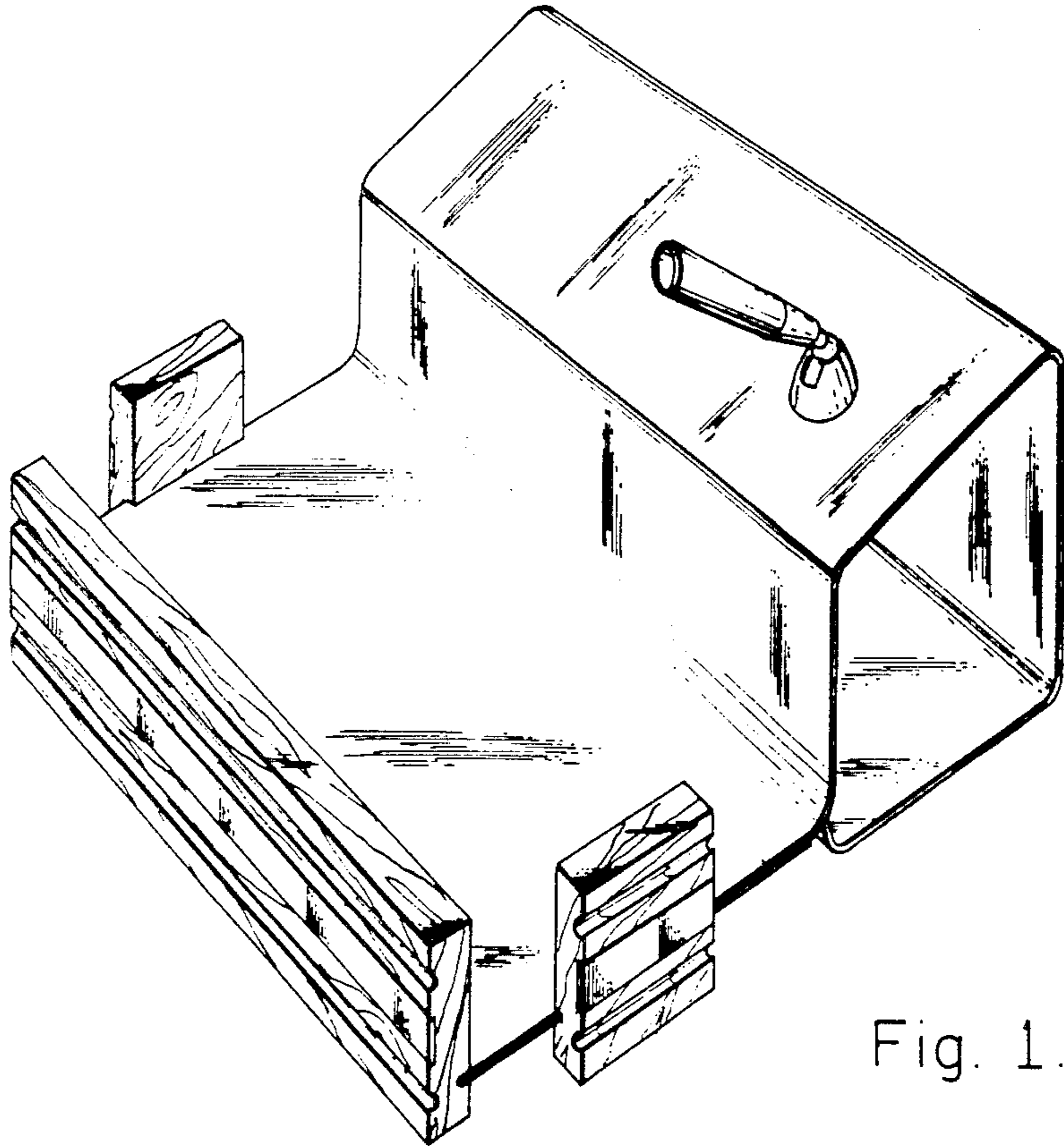


Fig. 1.

Fig. 2.

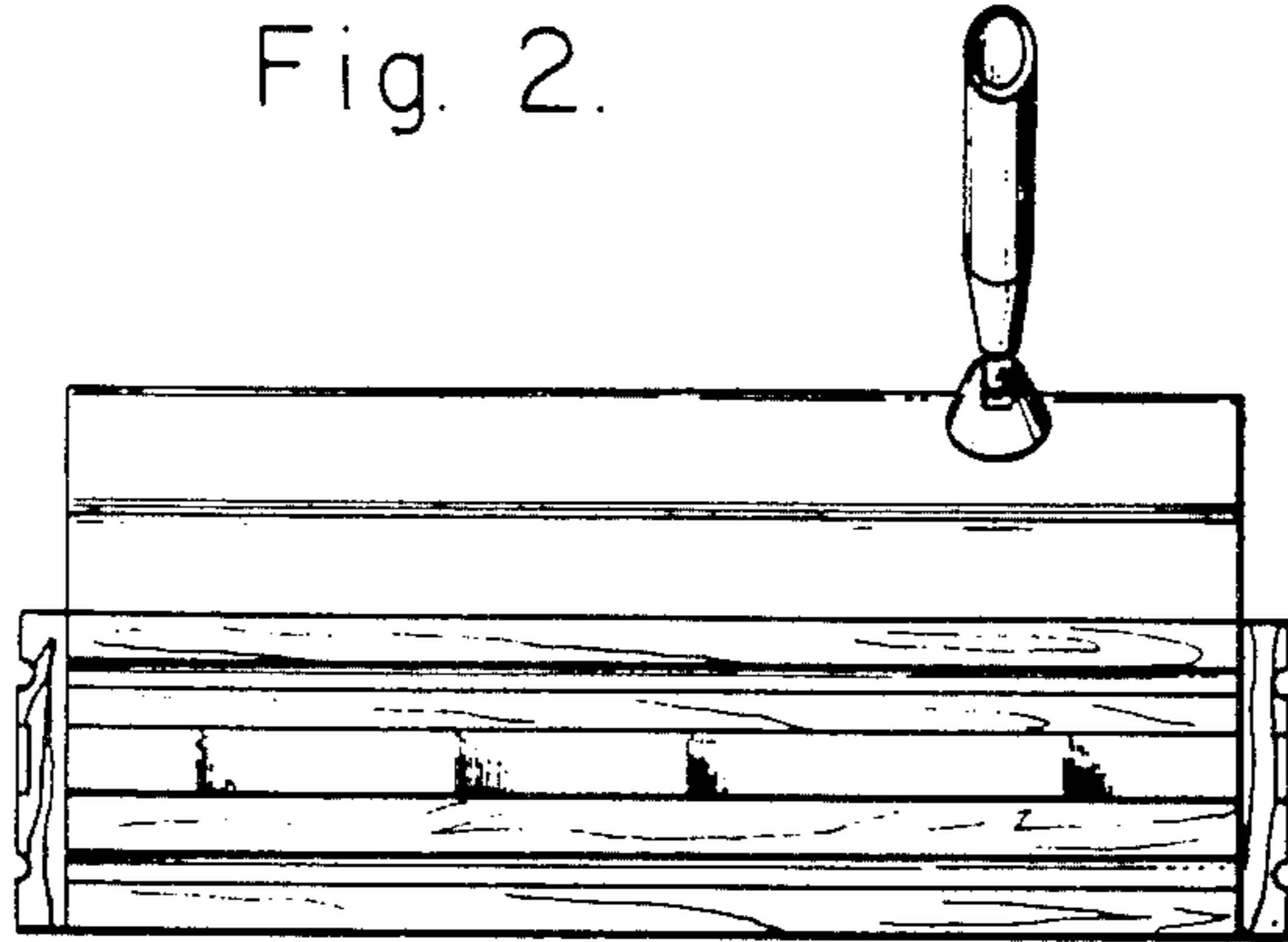


Fig. 3.

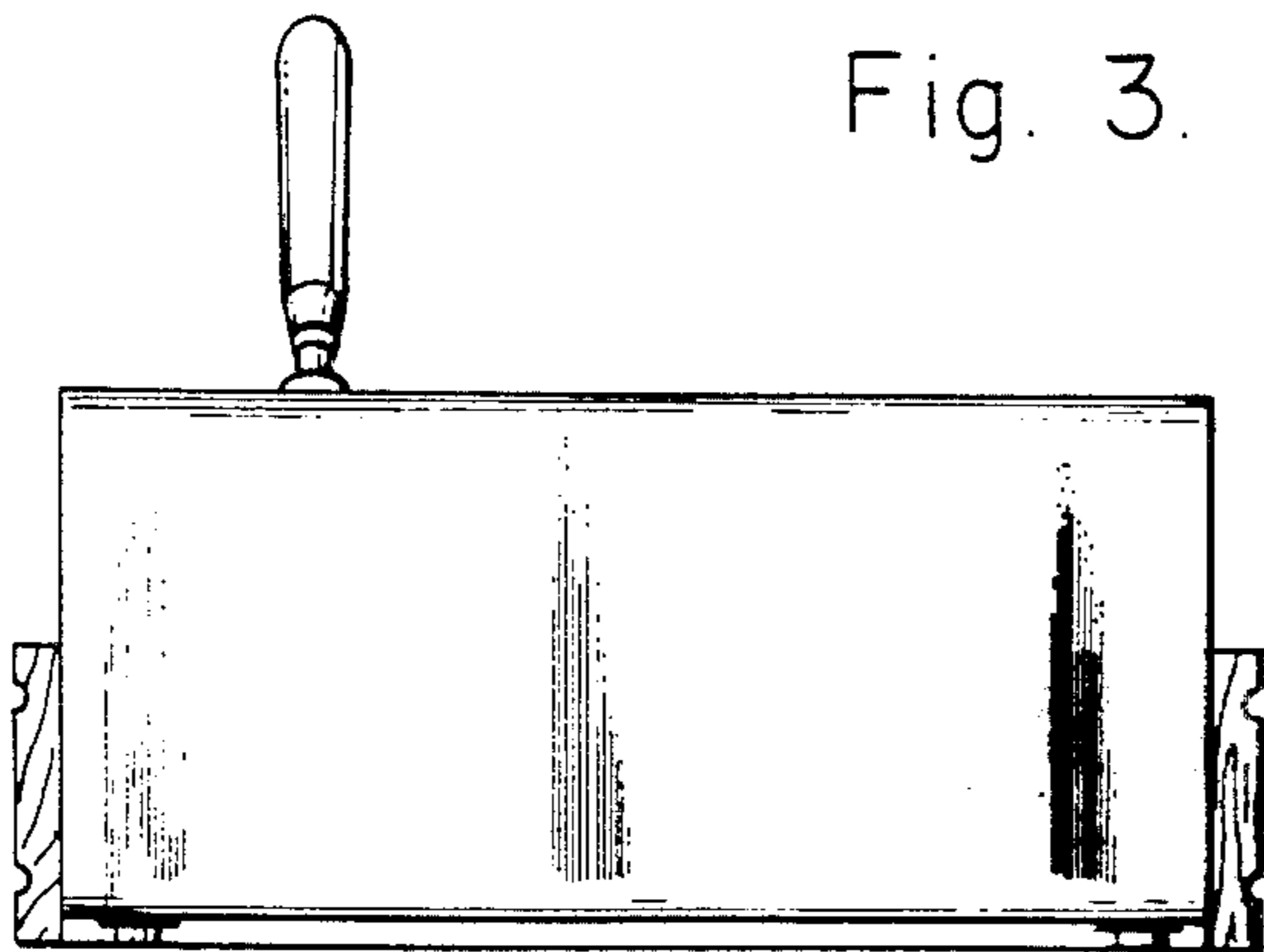


Fig. 4.

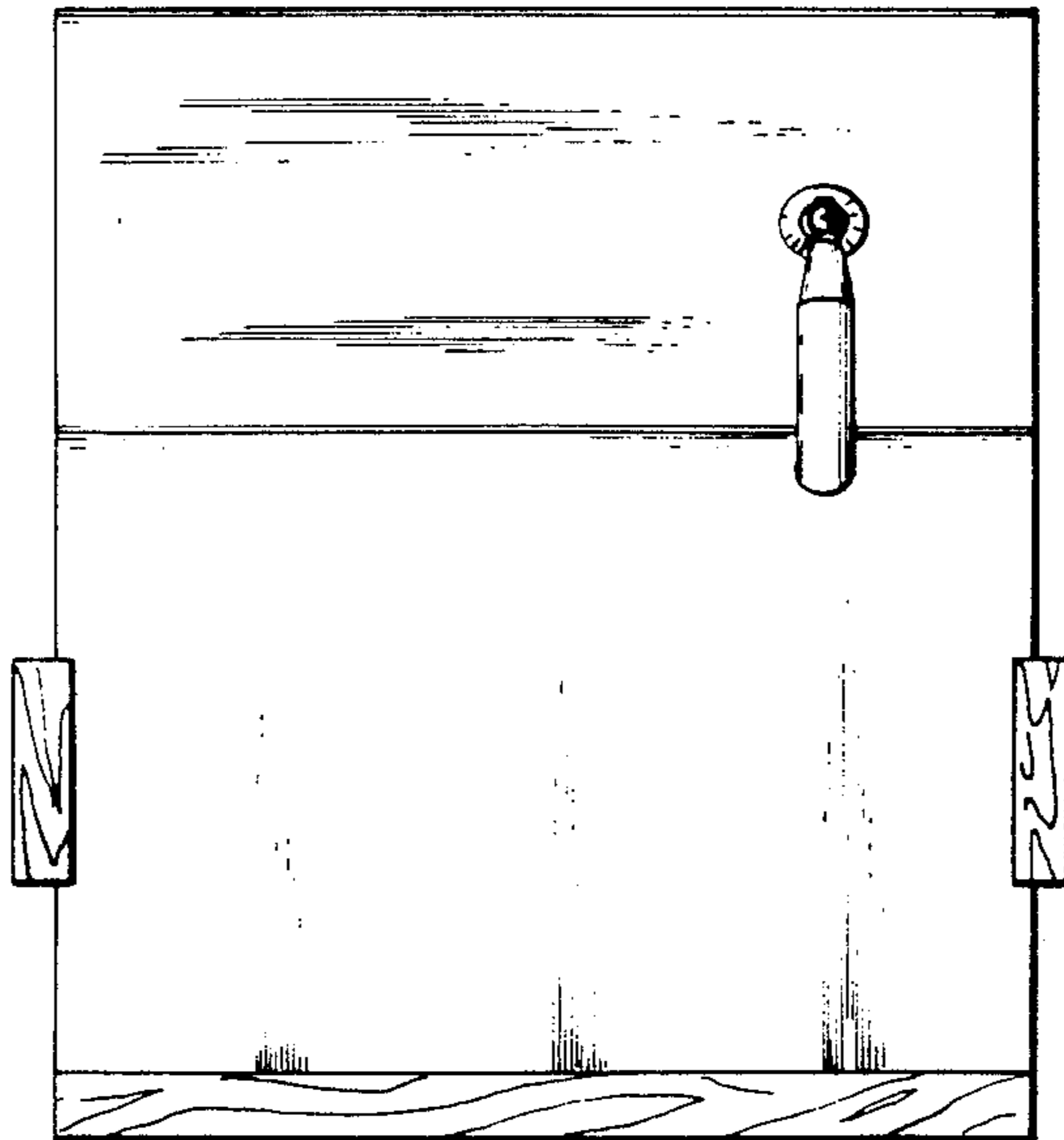


Fig. 5.

