

[54] ARTIST BRUSH HOLDER

4,244,660 1/1981 Aronson ..... 281/31

[76] Inventor: Mary P. Olivetti, 14911 Loretta Dr.,  
La Mirada, Calif. 90638

Primary Examiner—George P. Word  
Attorney, Agent, or Firm—Edgar W. Averill, Jr.

[\*\*] Term: 14 Years

[57] CLAIM

[21] Appl. No.: 505,811

The ornamental design for an artist brush holder, as shown and described.

[22] Filed: Jun. 20, 1983

[52] U.S. Cl. .... D19/26; D19/35

[58] Field of Search ..... D19/26, 27, 35, 36,  
D19/75; 206/45.2, 45.23, 575, 1.7, 1.8; 281/30,  
31; 402/79; D3/42, 77

DESCRIPTION

[56] References Cited

U.S. PATENT DOCUMENTS

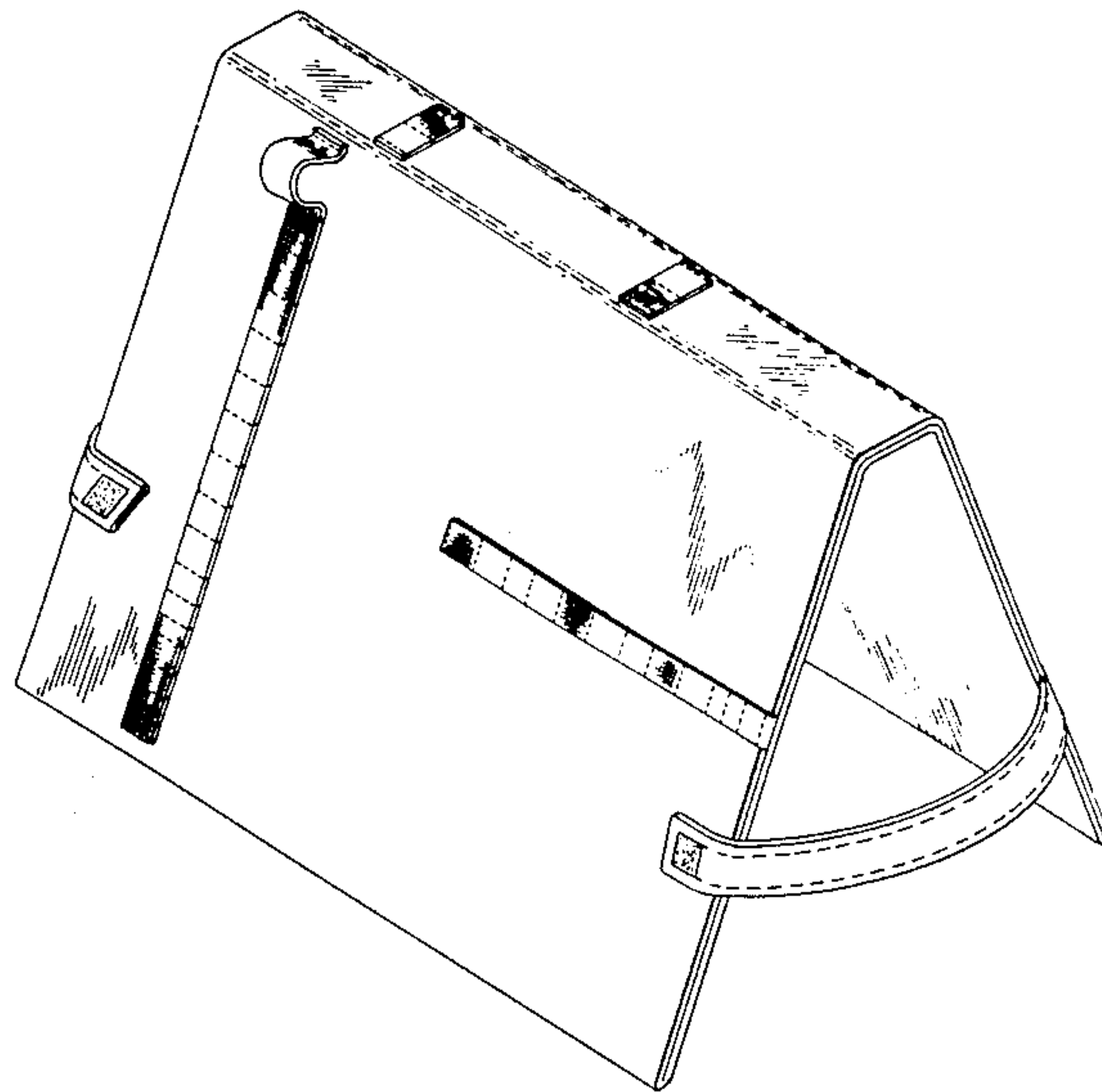
- D. 183,711 10/1958 Blaivas ..... D19/27
- D. 193,703 10/1962 Price ..... D19/27
- D. 227,619 7/1973 Osher ..... D19/27
- D. 264,399 5/1982 Koves ..... D3/77
- D. 273,537 4/1984 Gerch ..... D19/26

FIG. 1 is a perspective view of the inner surface of the front cover of an artist brush holder showing my new design in the open position;

FIG. 2 is a perspective view of the artist brush holder of FIG. 1 showing the inner surface of the back cover and right edge thereof;

FIG. 3 is a perspective view of the artist brush holder in the closed position showing the outer surface of the front cover; and

FIG. 4 is a perspective view of FIG. 3 showing the outer surface of the back cover.



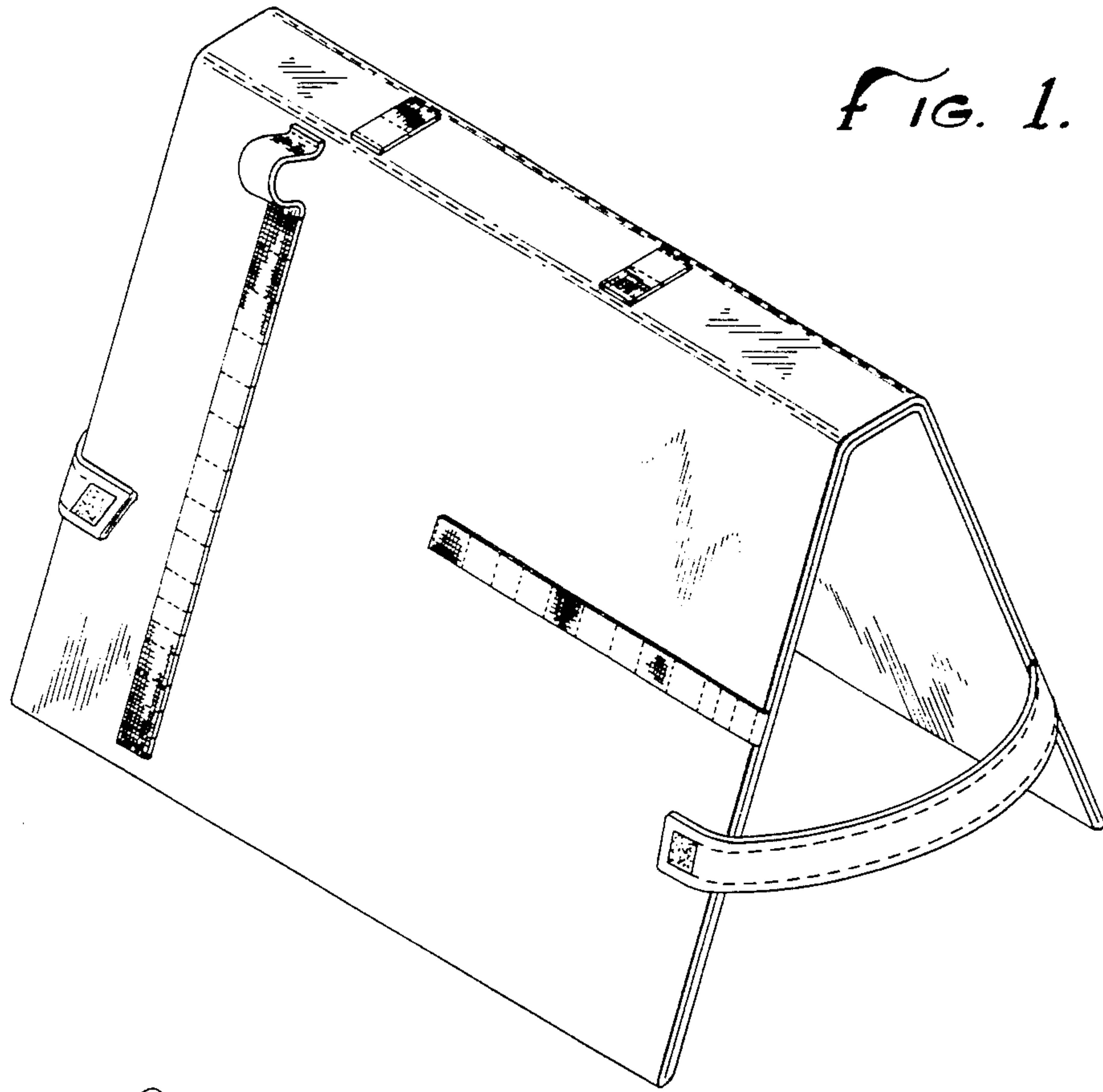


FIG. 1.

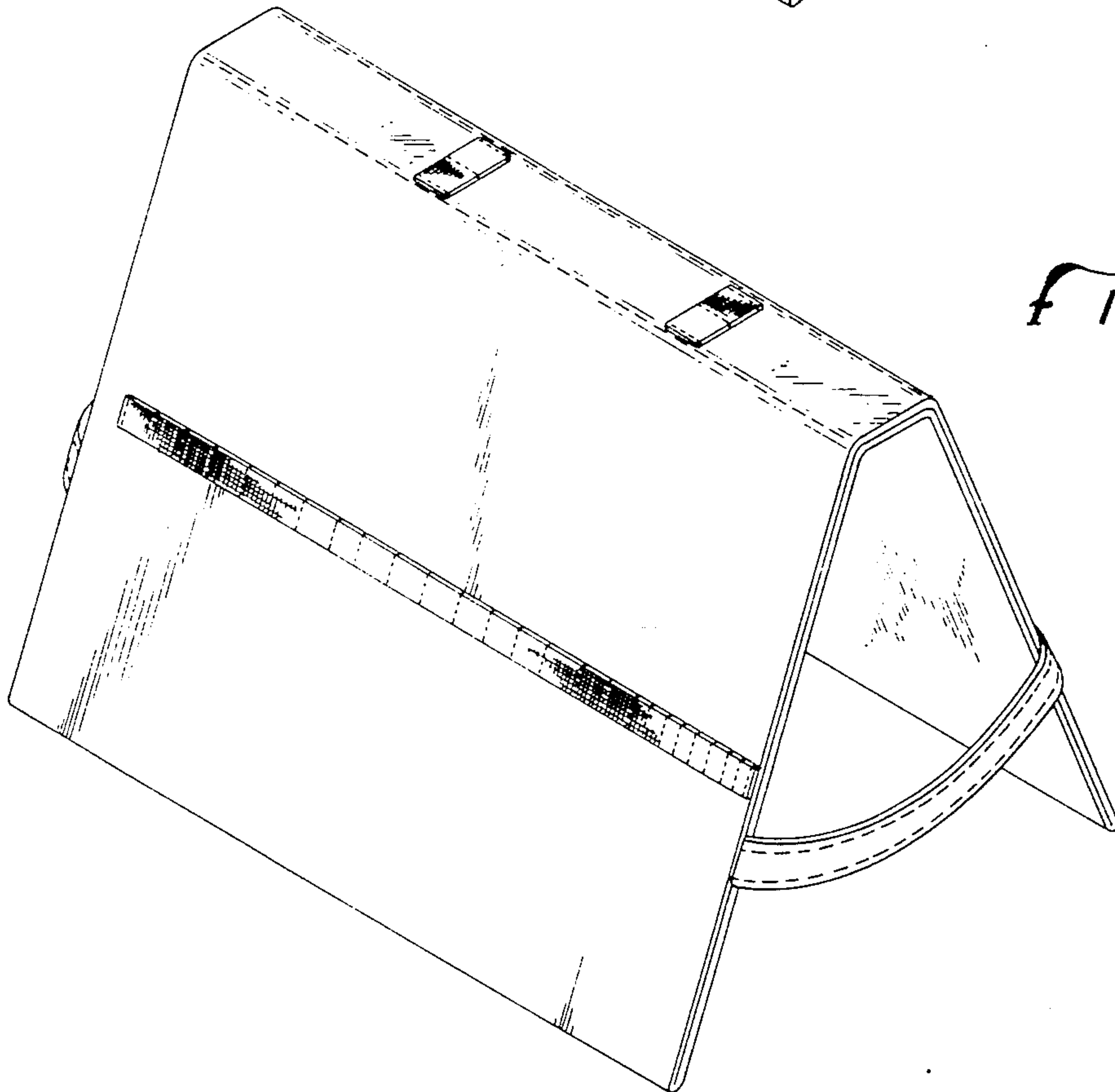


FIG. 2.

FIG. 3.

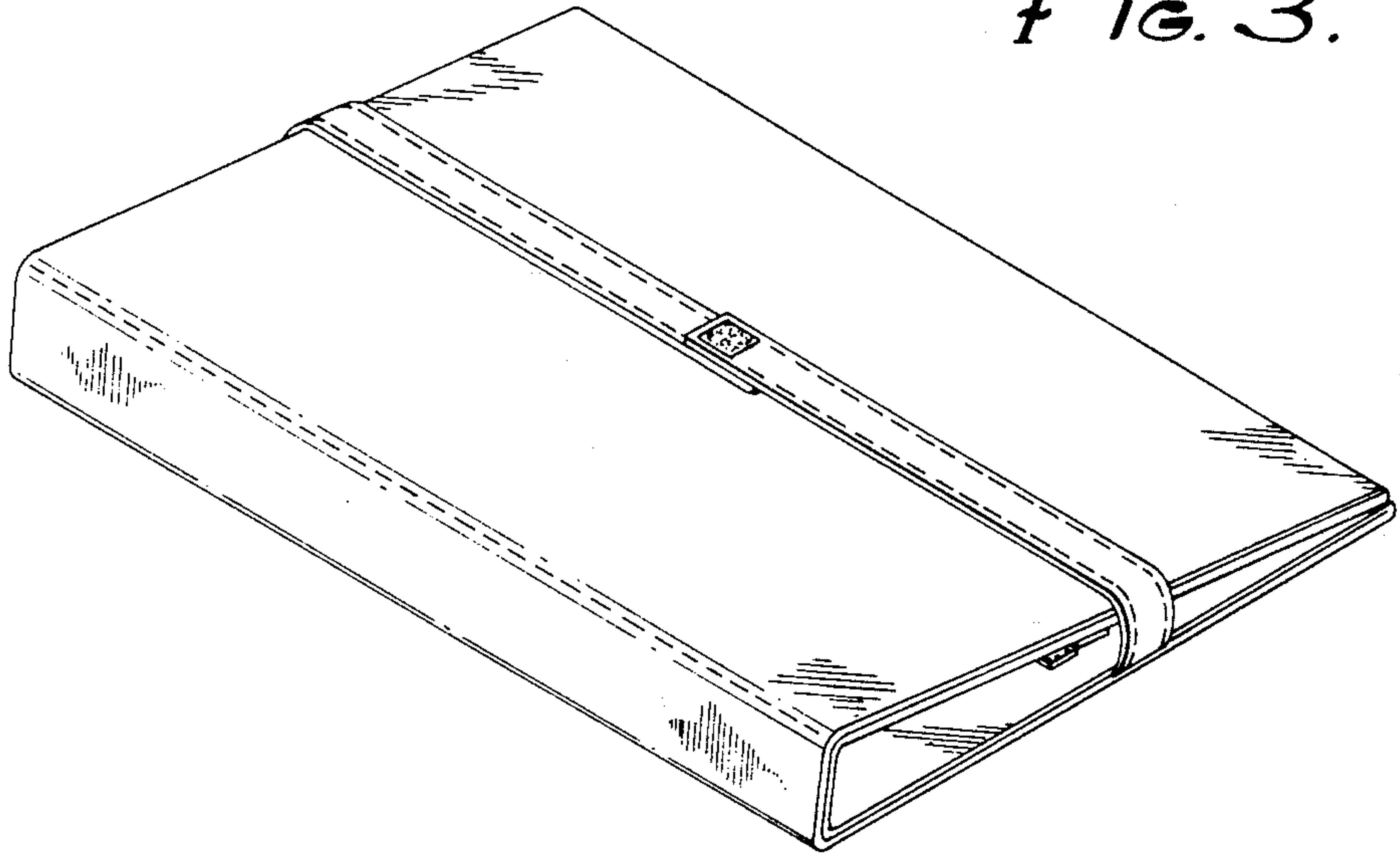


FIG. 4.

