

[54] **FLASH EXPOSURE DEVICE**  
[76] **Inventor: John J. Owen, III, 3820 Ridgewood Dr., Smyrna, Ga. 30080**

D. 258,444 3/1981 Mineshima ..... D16/1  
3,577,898 5/1971 Bragg ..... 354/202 FF  
4,079,394 3/1978 Roncone ..... 354/295 X  
4,204,761 5/1980 Walker ..... 354/202 FF

[\*\*] **Term: 14 Years**

[21] **Appl. No.: 521,188**

[22] **Filed: Sep. 13, 1983**

[52] **U.S. Cl. .... D16/38; D16/42; D16/10; D26/46**

[58] **Field of Search ..... D16/42, 1, 38, 10; D26/37, 46, 72; 354/295, 202 FF**

[56] **References Cited**

**U.S. PATENT DOCUMENTS**

D. 146,390 2/1947 Tatro ..... D16/42  
D. 226,331 2/1973 Hogue ..... D16/42  
D. 256,061 7/1980 Zelina ..... D26/46

**OTHER PUBLICATIONS**

*Display World*—1/69—p. 8—Flood Lamp at bottom.  
*Display World*—4/60—p. 61—Light at bottom.  
*Hardware Age*—10/15/64—p. 31—Lantern.

*Primary Examiner*—Nelson C. Holtje

[57] **CLAIM**

The ornamental design for a flash exposure device, as shown.

**DESCRIPTION**

FIG. 1 is a typical front and side perspective view of a flash exposure device showing my new design; FIG. 2 is a rear elevational view thereof.

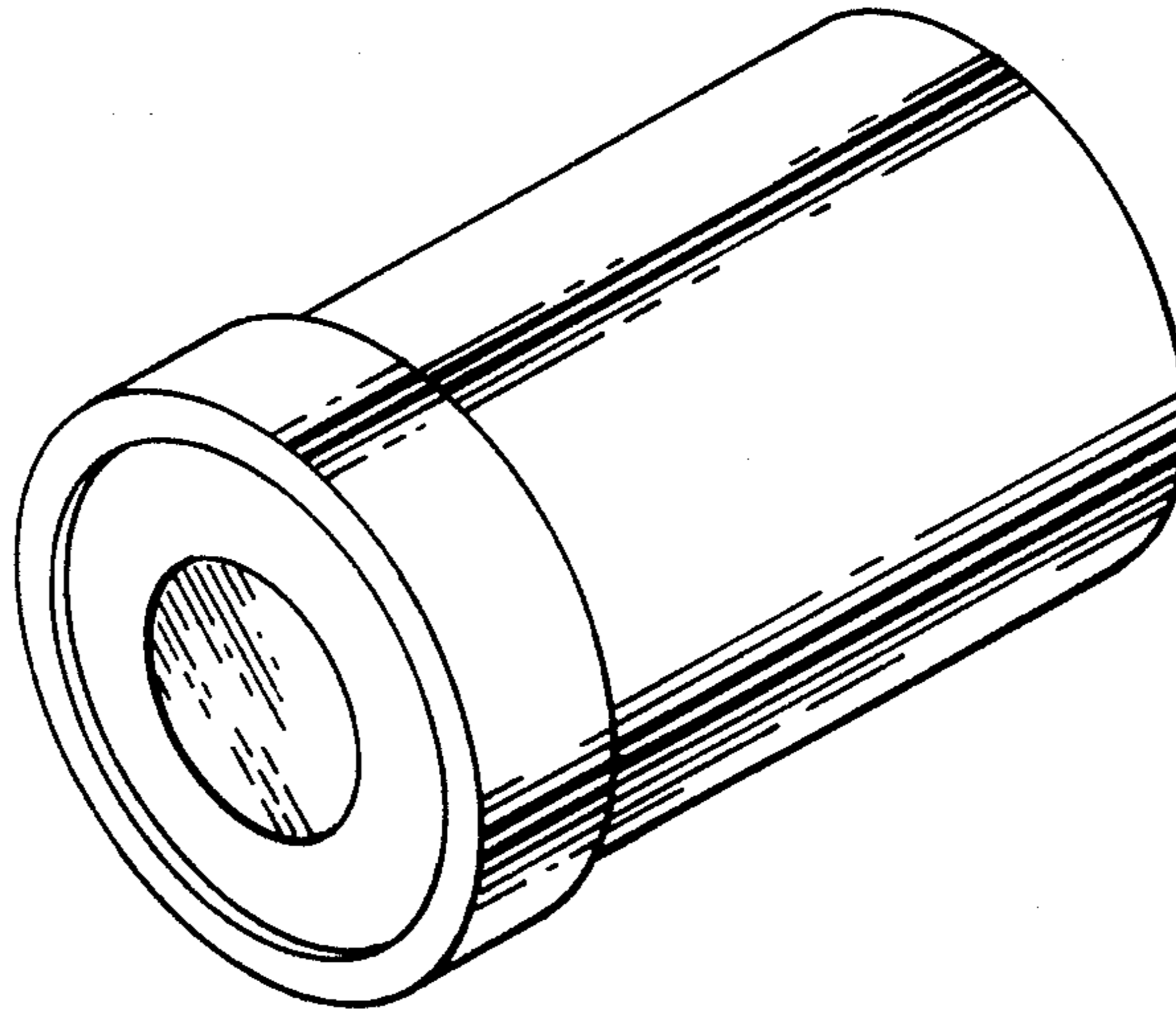


FIG. 1

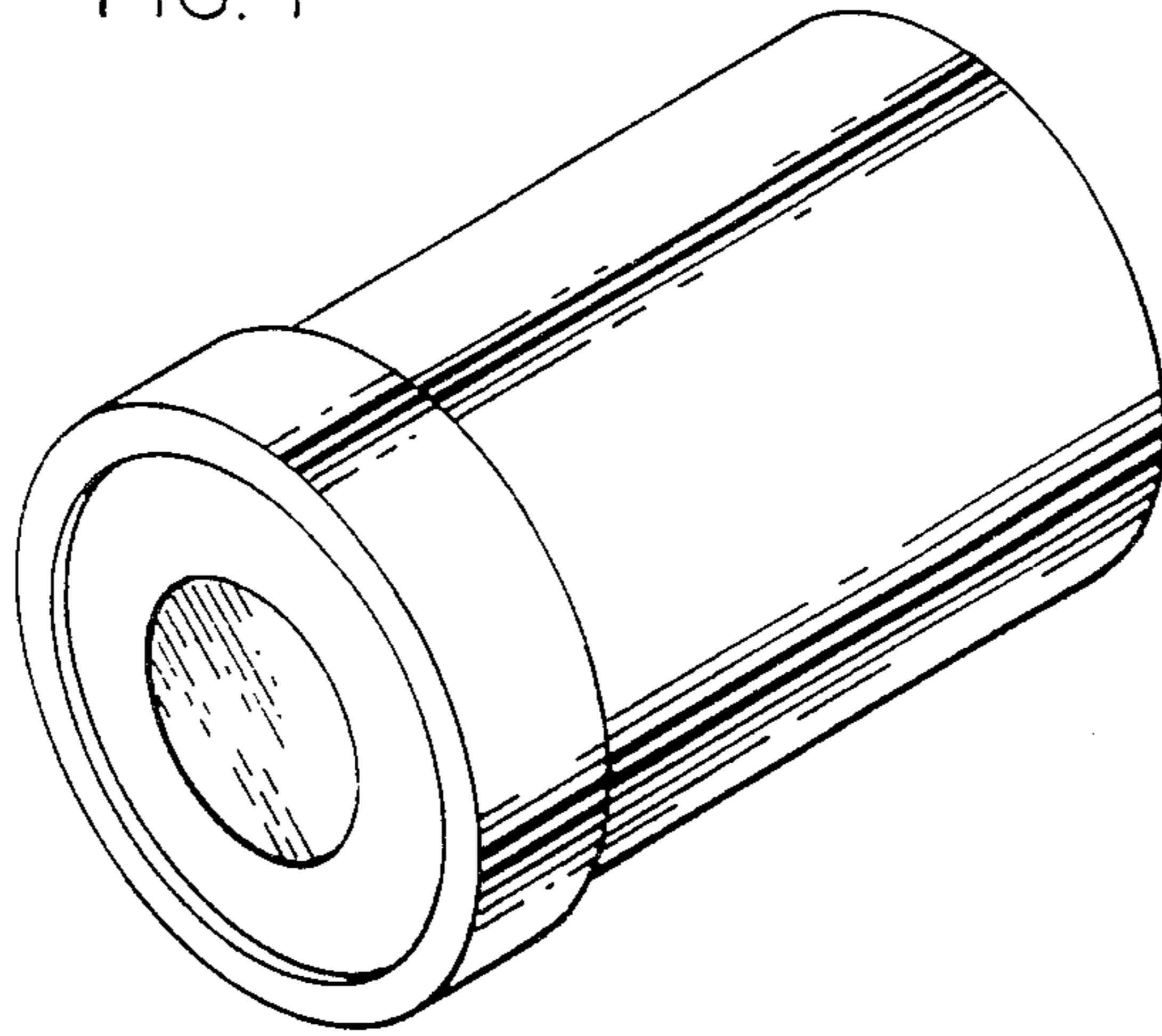


FIG. 2

