

[54] ICE CREAM DISPENSING MACHINE

D. 178,050 6/1956 Greene ..... D15/82  
D. 218,082 7/1970 Cornelius et al. .... D15/82

[75] Inventor: William H. Lebo, Leawood, Kans.

Primary Examiner—Wallace R. Burke  
Assistant Examiner—Lynn Wilder  
Attorney, Agent, or Firm—Schmidt, Johnson, Hovey & Williams

[73] Assignee: Cone-A-Copia, Inc., Overland Park, Kans.

[\*\*] Term: 14 Years

[57] CLAIM

[21] Appl. No.: 534,232

The ornamental design for an ice cream dispensing machine, as shown.

[22] Filed: Sep. 22, 1983

[52] U.S. Cl. .... D15/82

[58] Field of Search ..... D15/79, 82, 84

DESCRIPTION

[56] References Cited

U.S. PATENT DOCUMENTS

- D. 101,602 10/1936 Williams ..... D15/82
- D. 149,872 6/1948 Harris ..... D15/84
- D. 172,379 6/1954 Boltz et al. .... D15/79

FIG. 1 is a front elevational view of the ice cream dispensing machine showing my new design; FIG. 2 is a side elevational view thereof; FIG. 3 is a side elevational view opposite to that shown in FIG. 2; FIG. 4 is a top plan view; and FIG. 5 is a rear elevational view thereof.

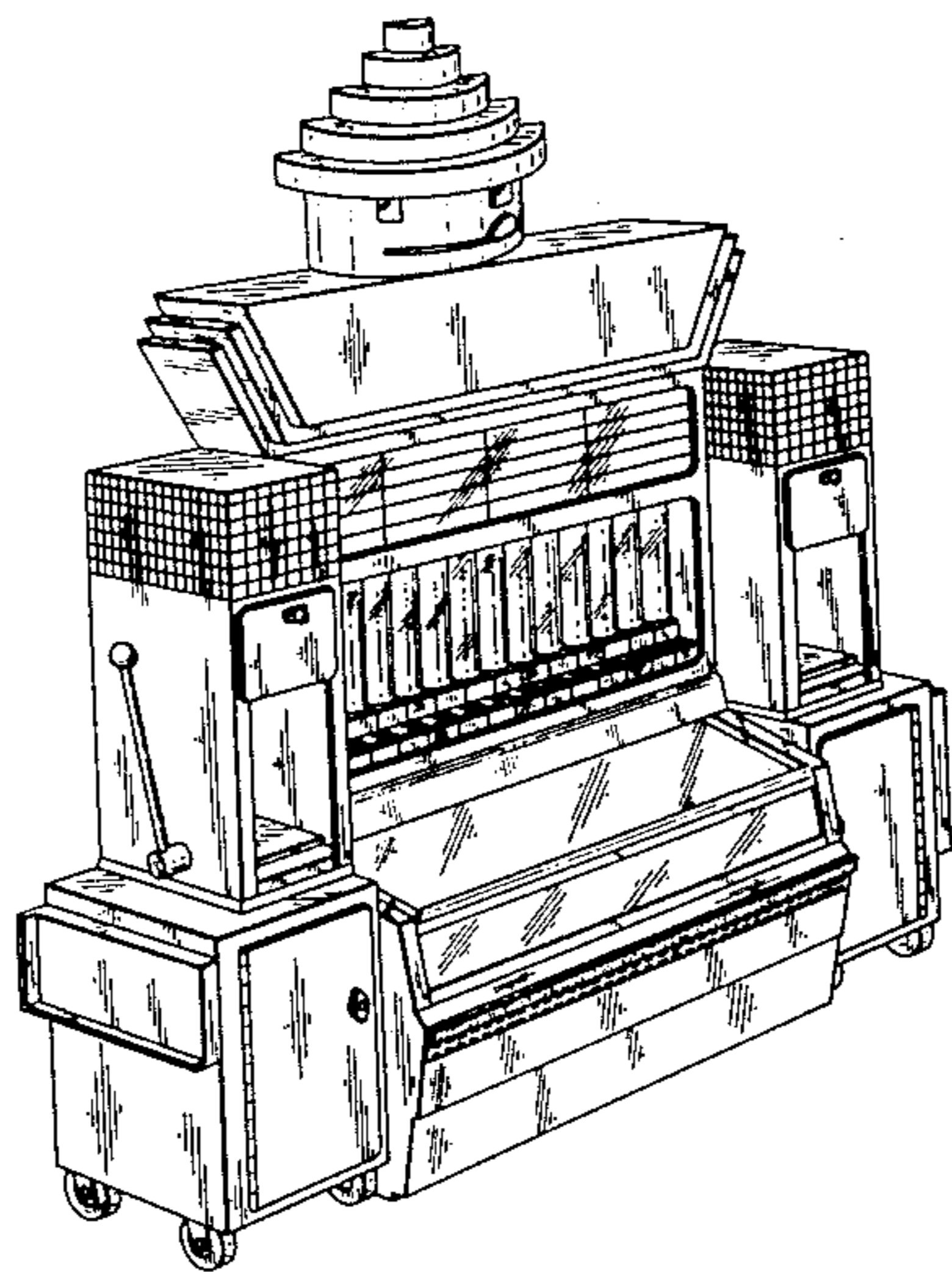


Fig. 1

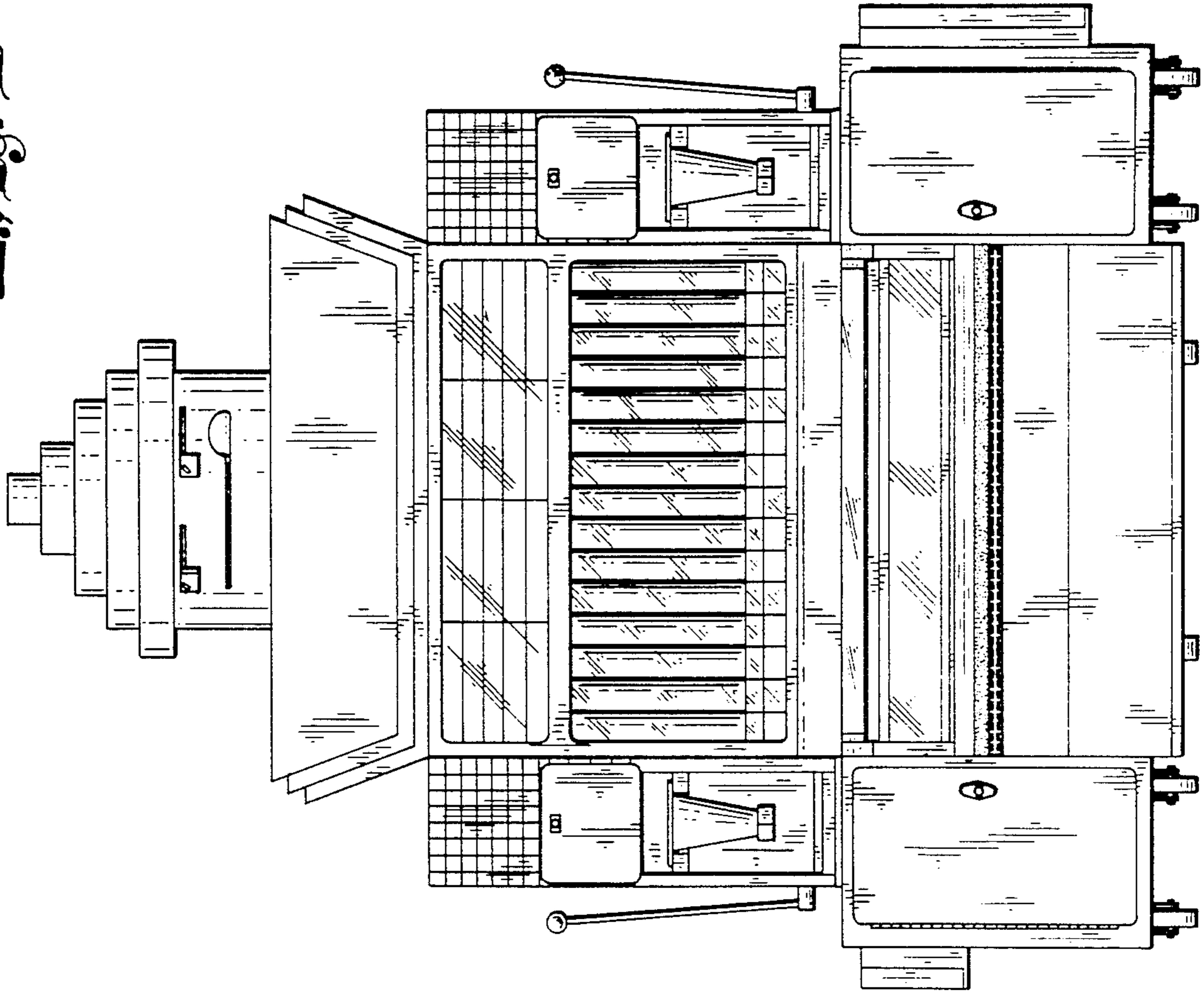
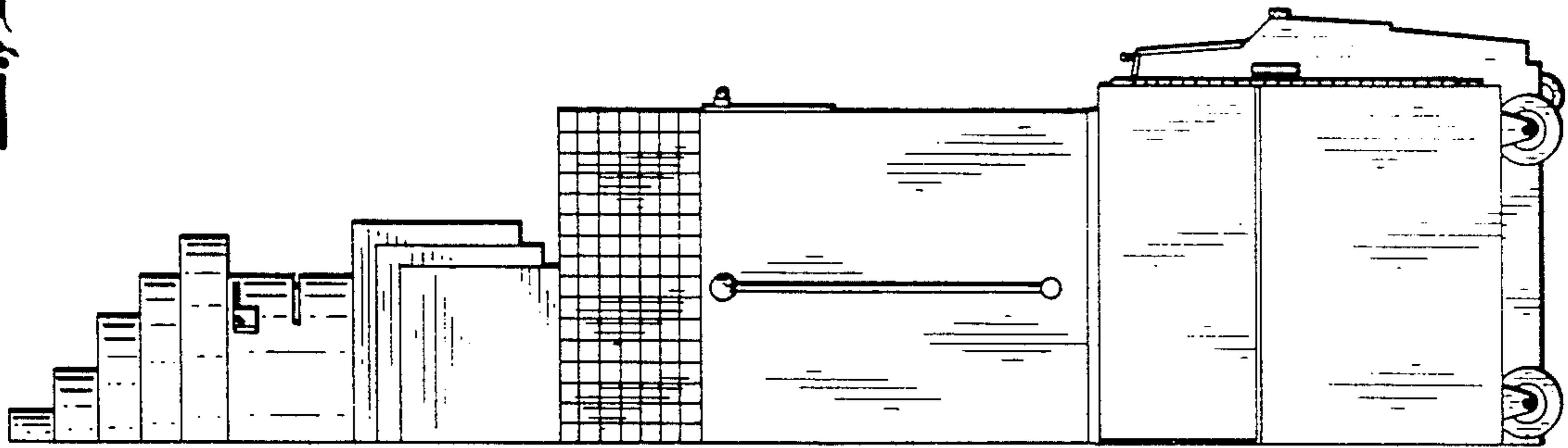


Fig. 2



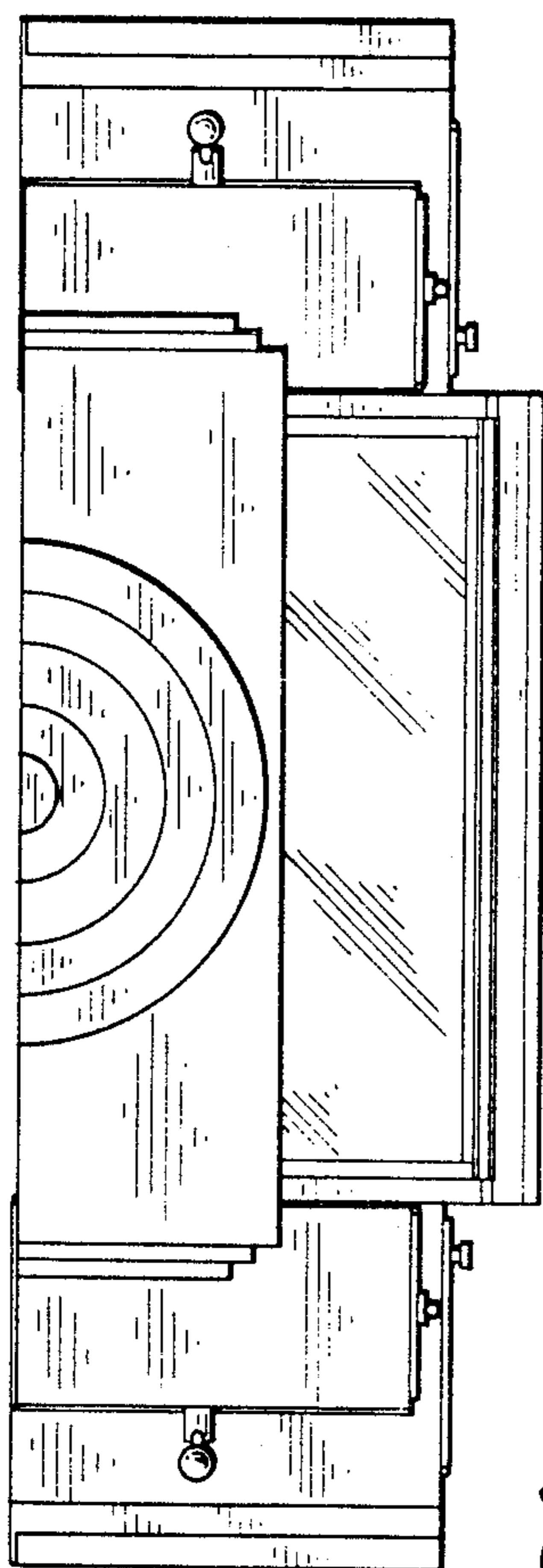


Fig. 4

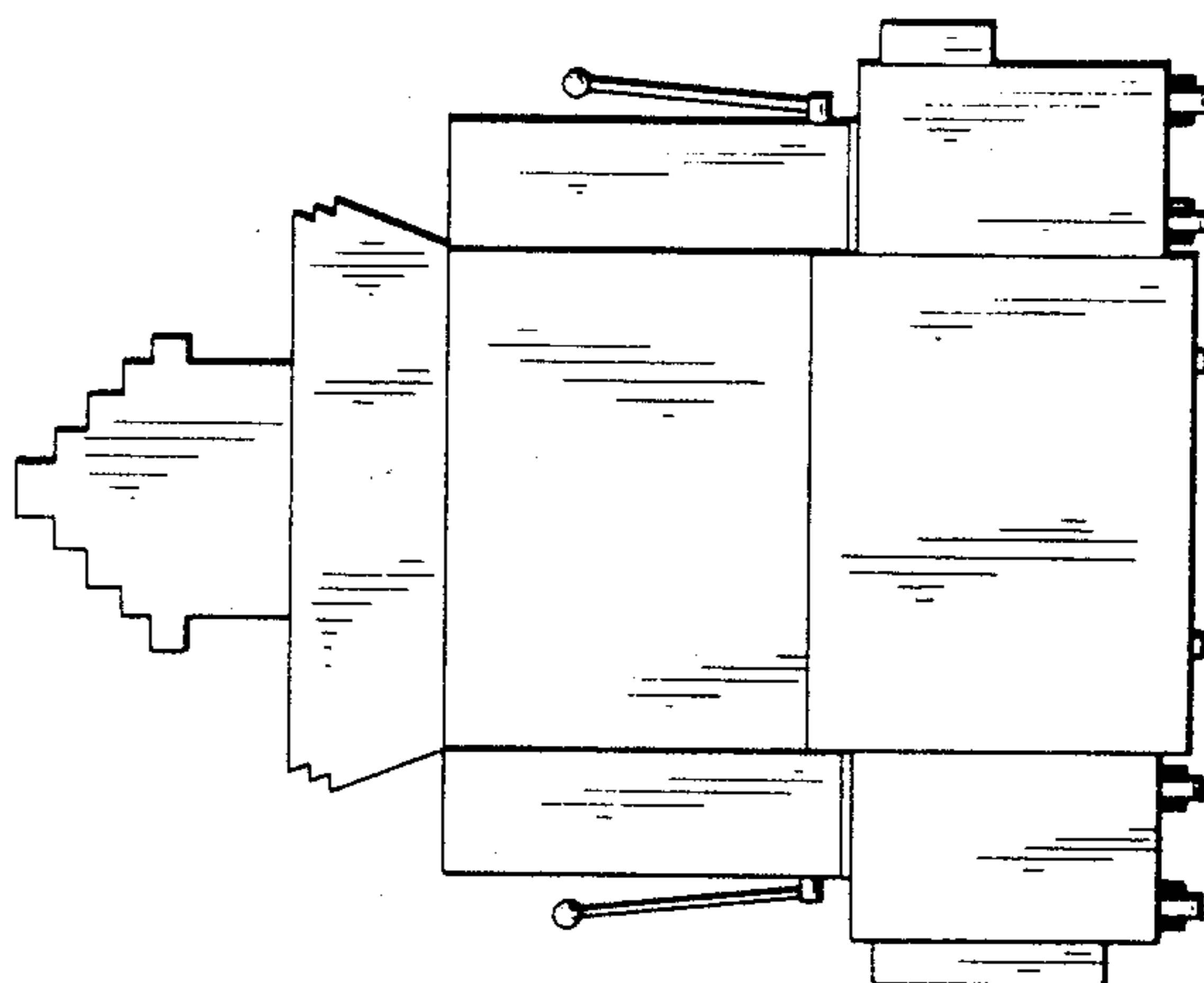


Fig. 5

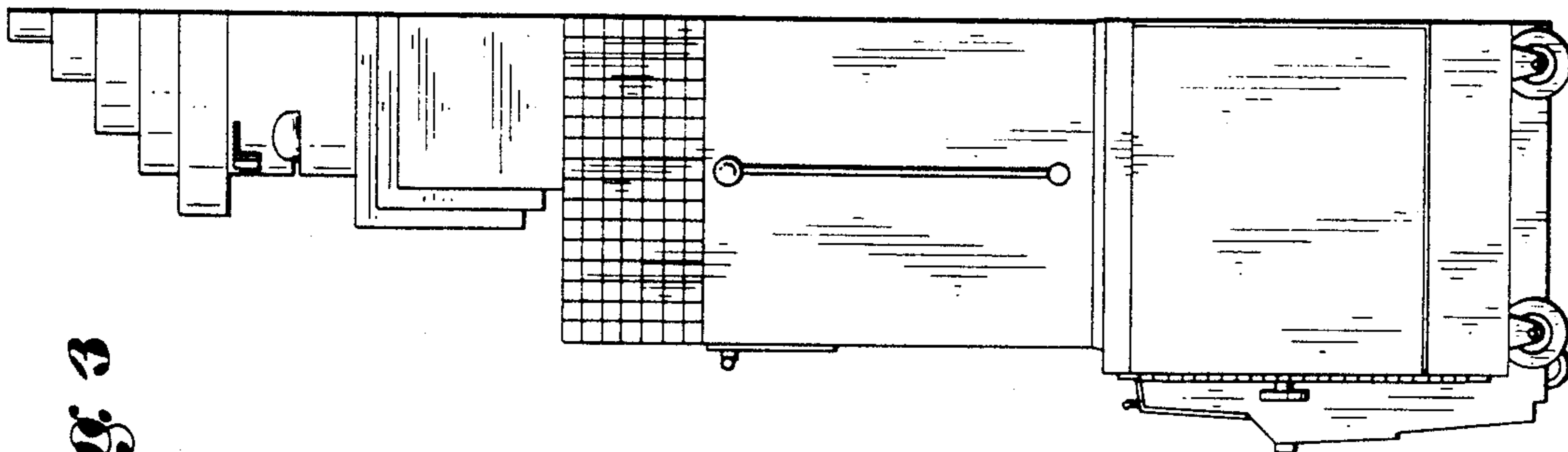
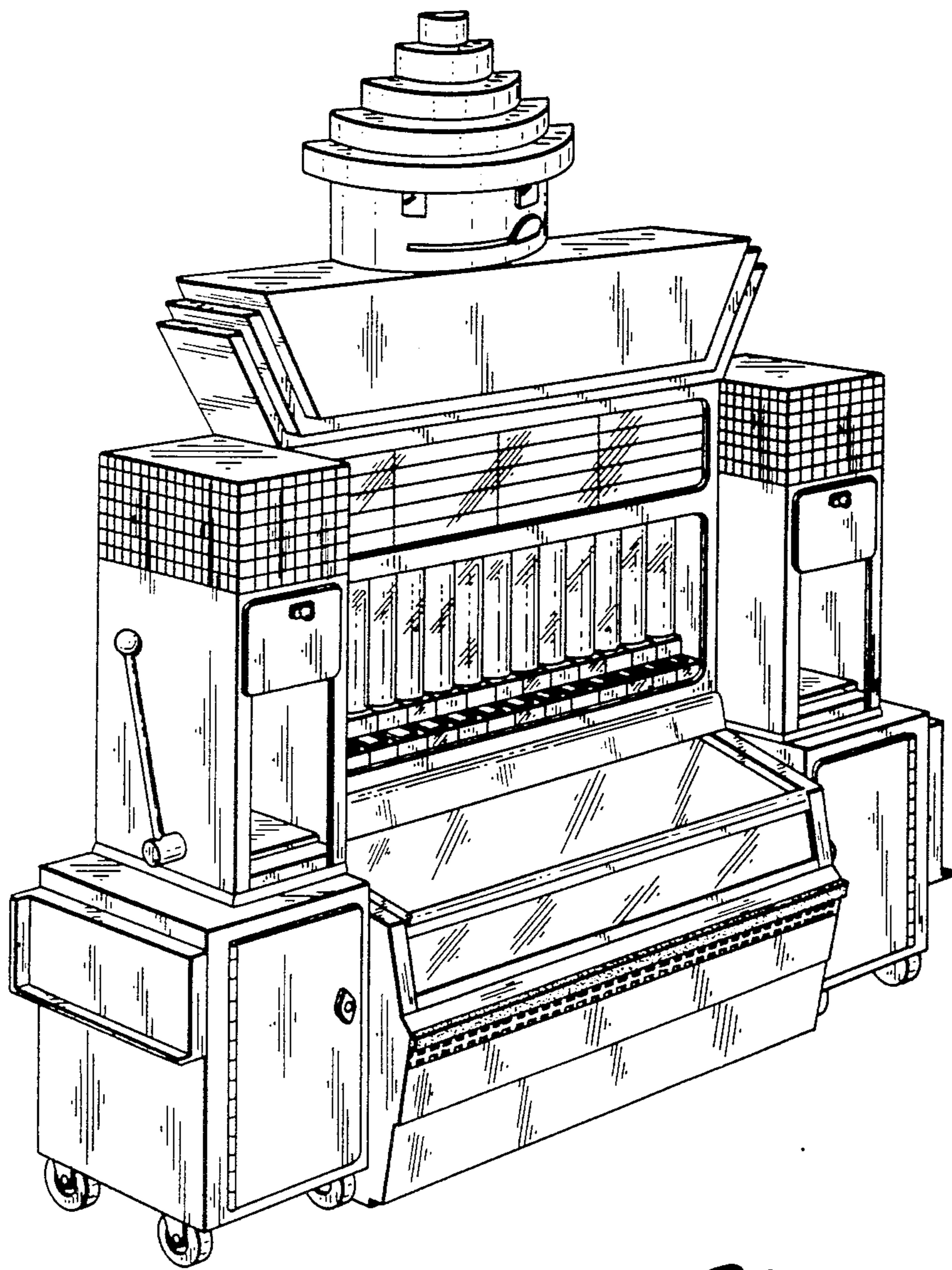


Fig. 3



*Fig. 6*