

[54] **TAPE DRIVE**

D. 270,447 9/1983 Hara D14/107

[75] **Inventors:** David M. Gresham, New Haven, Conn.; Ted F. Kelley, Rochester, Minn.; Philip C. Yenerich; Roland Zapfe, both of Tucson, Ariz.

[73] **Assignee:** International Business Machines Corporation, Armonk, N.Y.

[**] **Term:** 14 Years

[21] **Appl. No.:** 477,676

[22] **Filed:** Mar. 14, 1983

[52] **U.S. Cl.** D14/108

[58] **Field of Search** D14/100, 102, 109, 107, D14/114

[56] **References Cited**

U.S. PATENT DOCUMENTS

D. 210,535 3/1968 Sanderson D26/5

OTHER PUBLICATIONS

Calcomb Trident Disk Drive Family Brochure, 1977, p. 3, Console (T-200T-300).

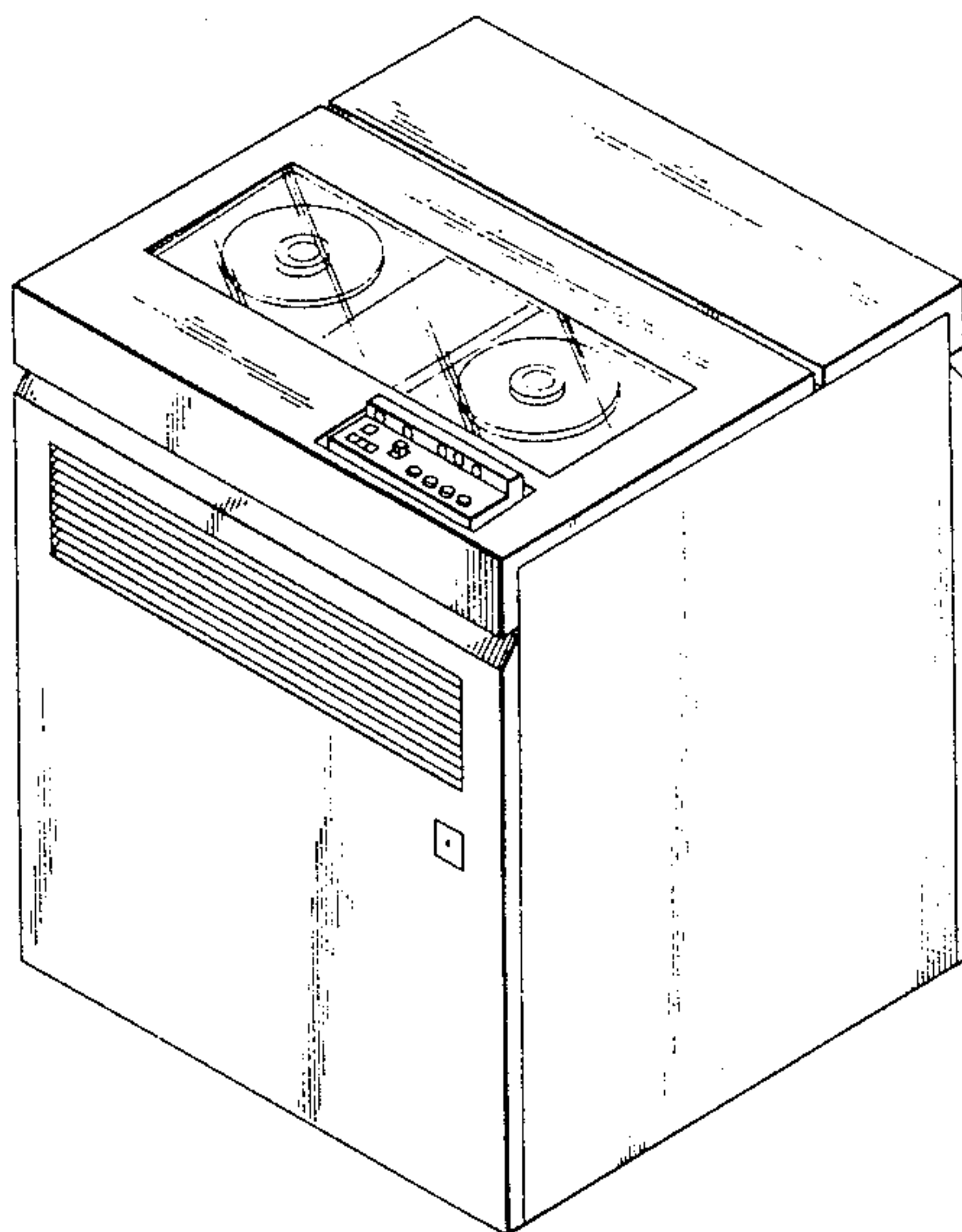
Primary Examiner—Susan J. Lucas
Attorney, Agent, or Firm—John H. Holcombe; Marilyn D. Smith; J. Jancin, Jr.

[57] **CLAIM**

The ornamental design for a tape drive, as substantially shown and described.

DESCRIPTION

FIG. 1 is a front, left side perspective view of a tape drive showing our new design;
FIG. 2 is a front perspective view thereof with the top cover raised;
FIG. 3 is a partially exploded perspective view thereof;
FIG. 4 is a rear, right side perspective view thereof.



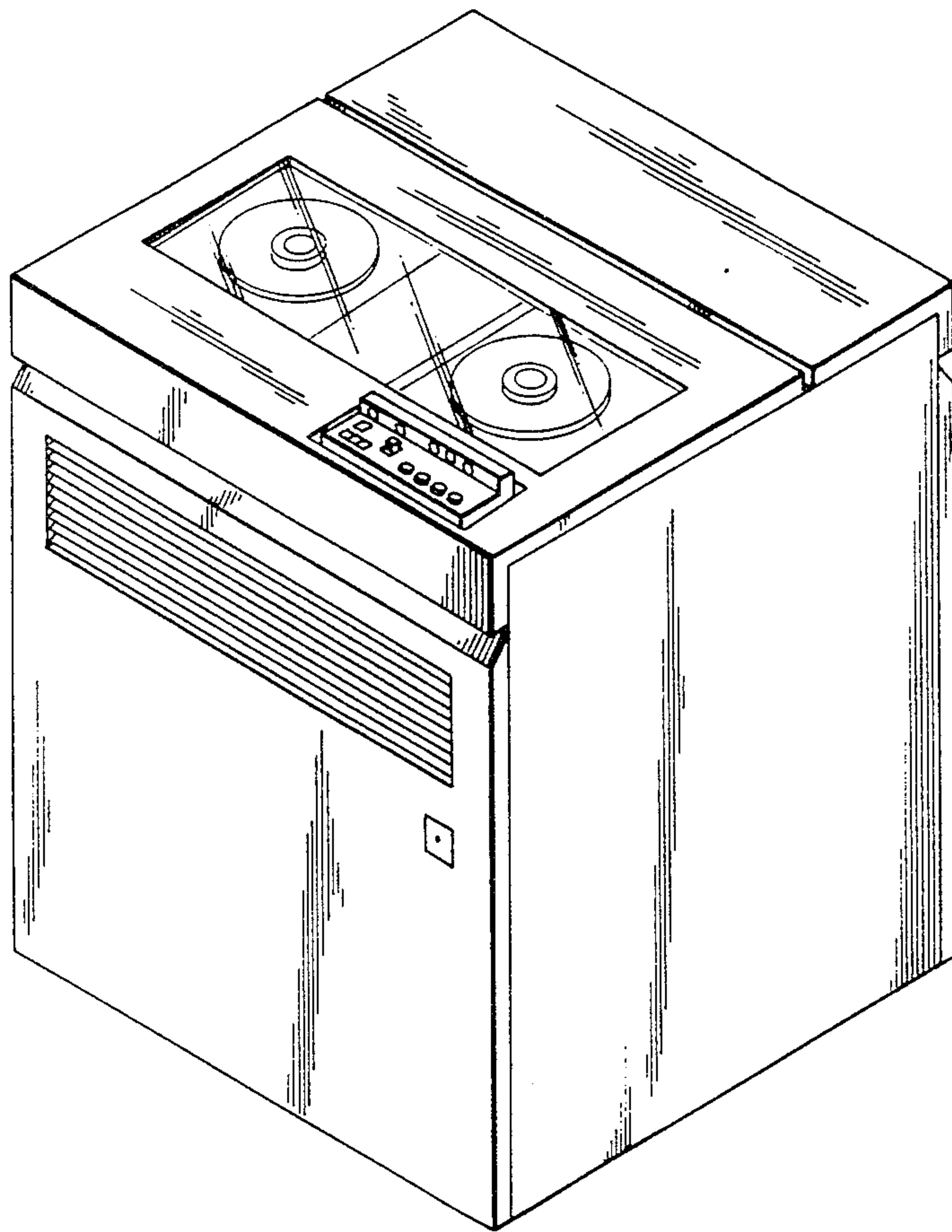


FIG. 1

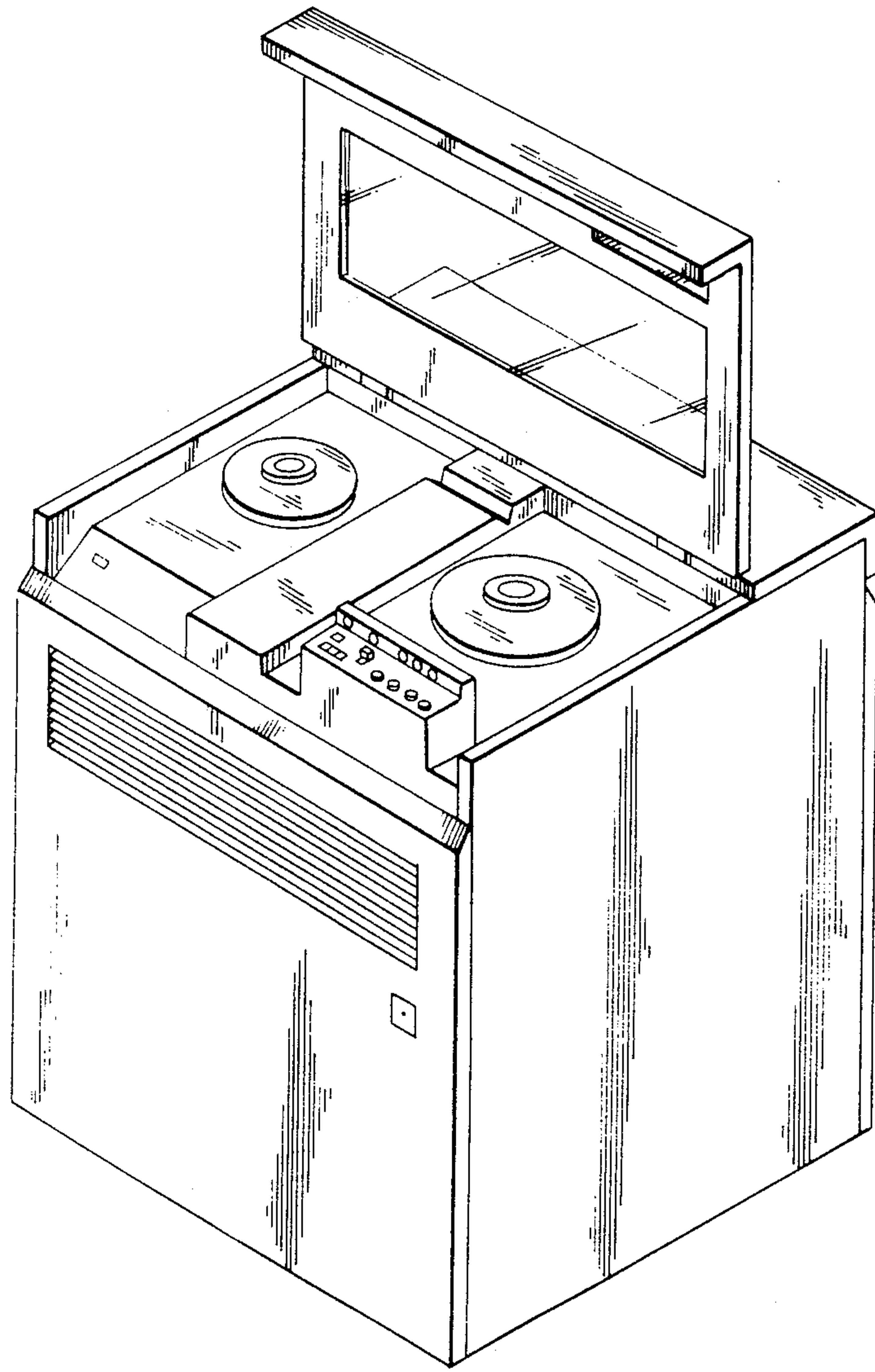


FIG. 2

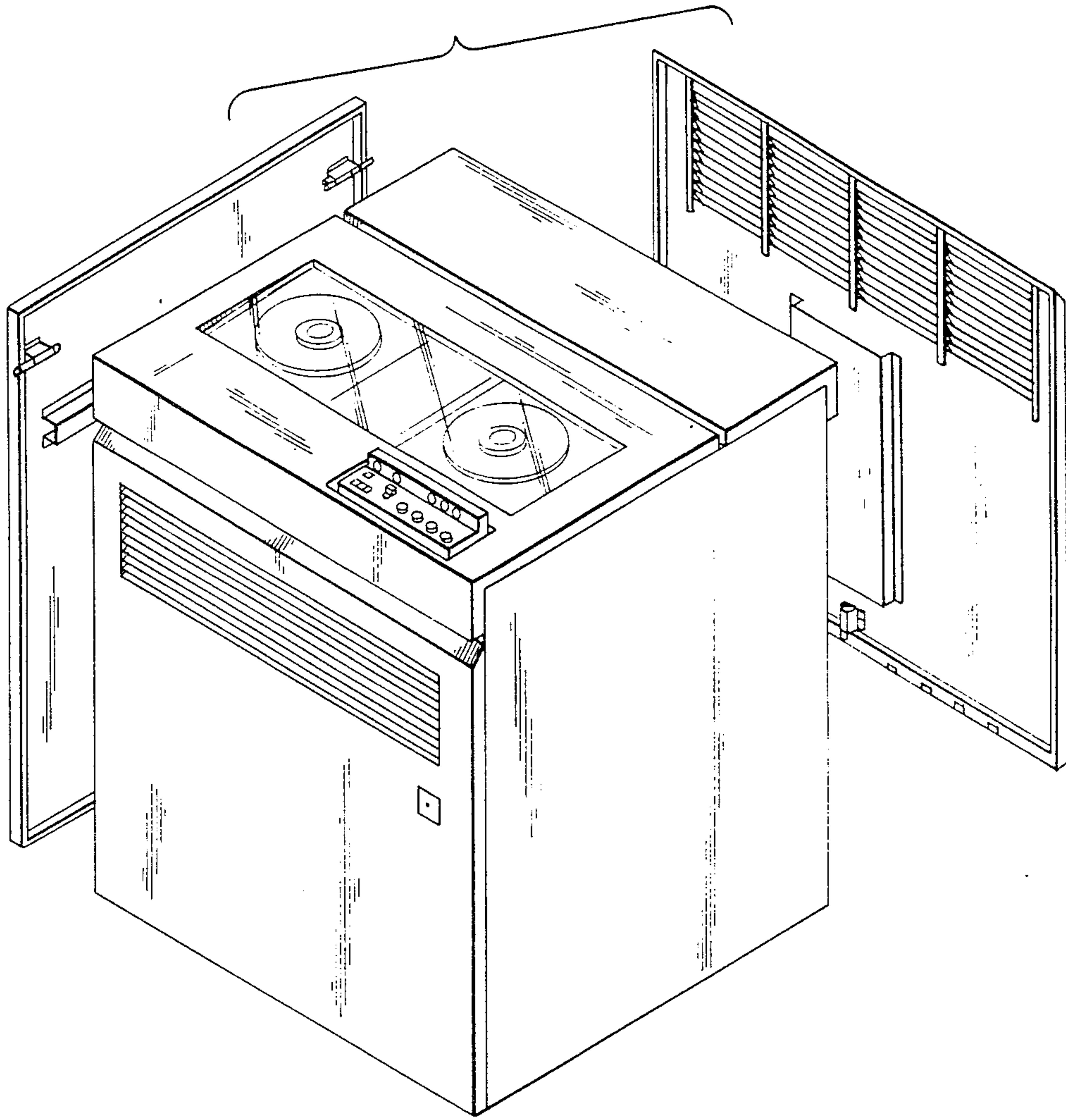


FIG. 3

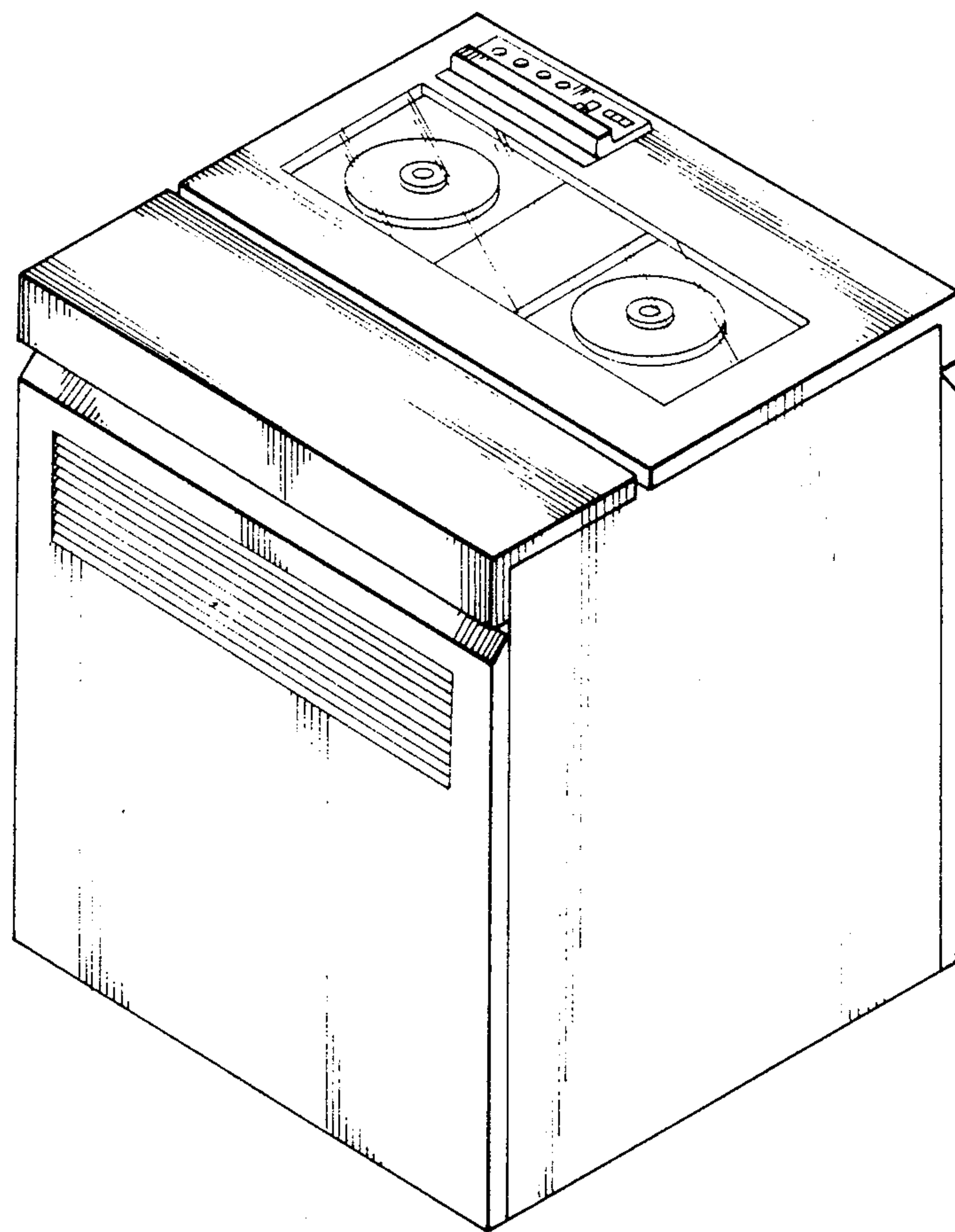


FIG. 4