

[54] ENGINE GENERATOR

[75] Inventor: Toshihiko Shibuya, Urawa, Japan

[73] Assignee: Honda Giken Kogyo Kabushiki
Kaisha, Tokyo, Japan

[**] Term: 14 Years

[21] Appl. No.: 468,890

[22] Filed: Feb. 23, 1983

[30] Foreign Application Priority Data

Aug. 23, 1982 [JP] Japan 57-38188
[52] U.S. Cl. D13/1
[58] Field of Search D13/1; D15/7; 310/270,
310/2, 3; 290/1 A; 307/150

[56] References Cited
PUBLICATIONS

Extract from the Japanese Newspaper "Automobile Daily", Jul. 18, 1981, p. 2.

Primary Examiner—Wallace R. Burke
Assistant Examiner—Lynn Wilder
Attorney, Agent, or Firm—Armstrong, Nikaido,
Marmelstein & Kubovcik

[57] CLAIM

The ornamental design for engine generator, as shown and described.

DESCRIPTION

FIG. 1 is a front elevational view of an engine generator, showing my new design;
FIG. 2 is a rear elevational view thereof;
FIG. 3 is a right side elevational view thereof;
FIG. 4 is a left side elevational view thereof;
FIG. 5 is a top plan view thereof;
FIG. 6 is a bottom plan view thereof;
FIG. 7 is a perspective view thereof.

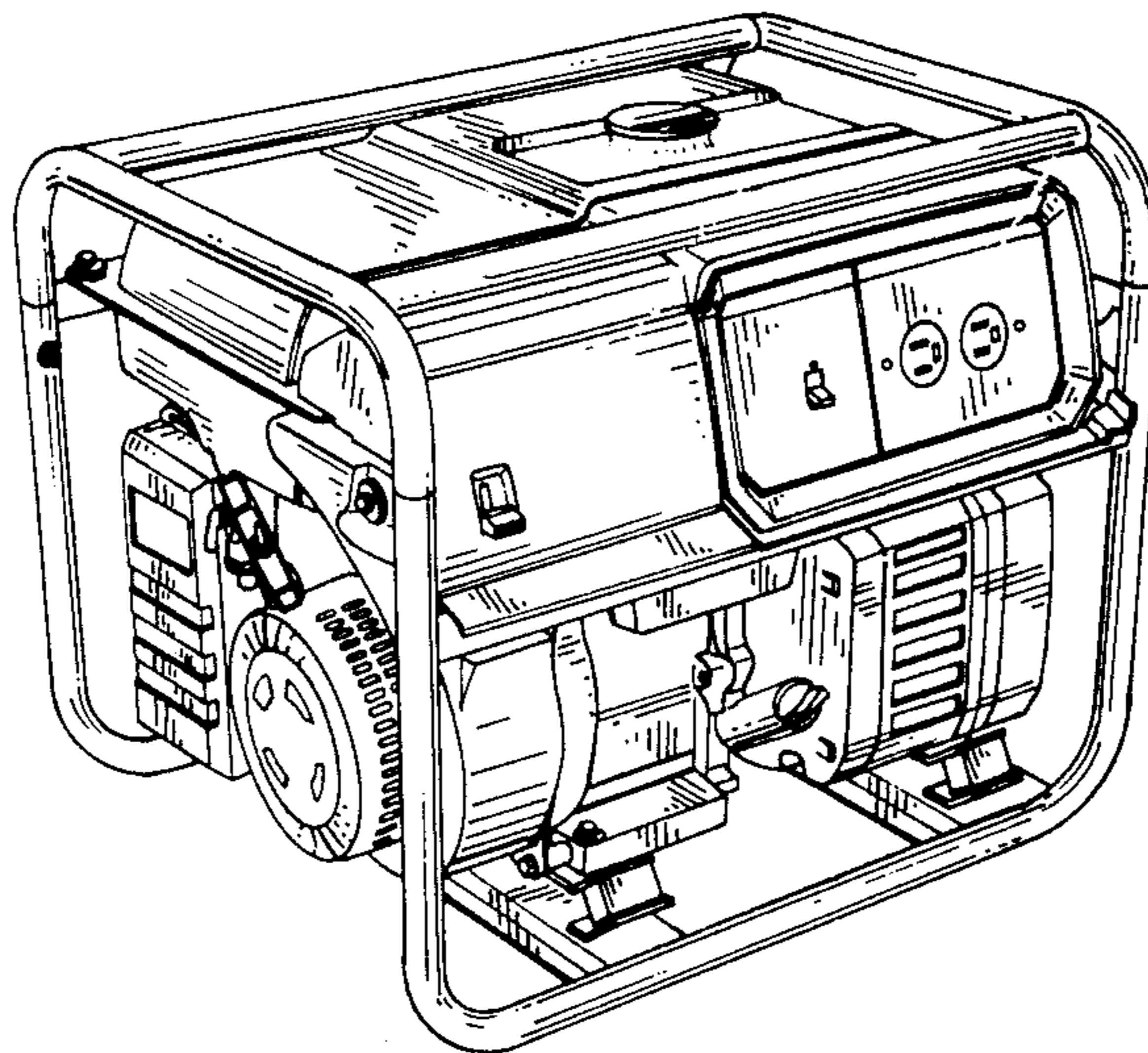


FIG. 1

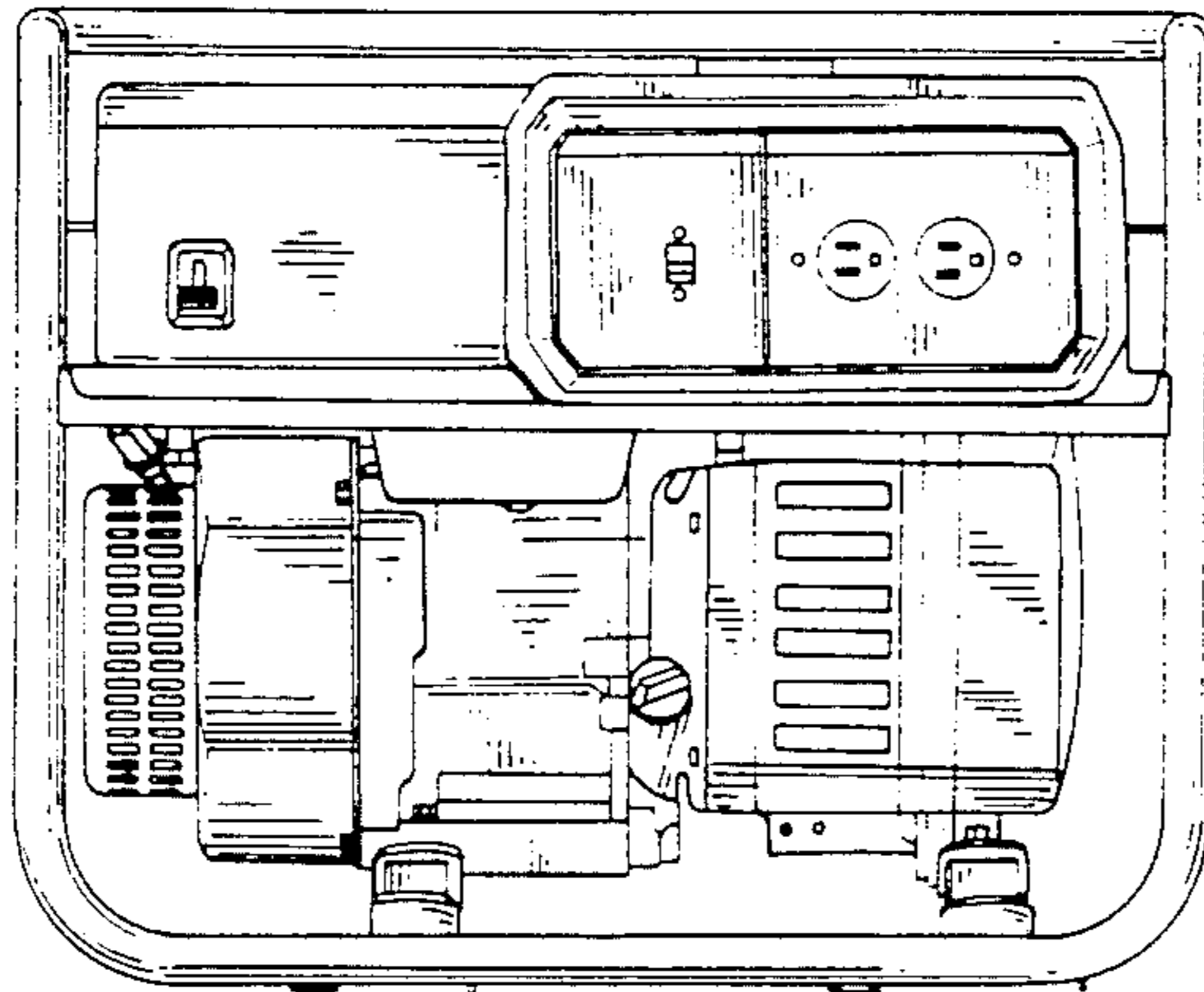


FIG. 2

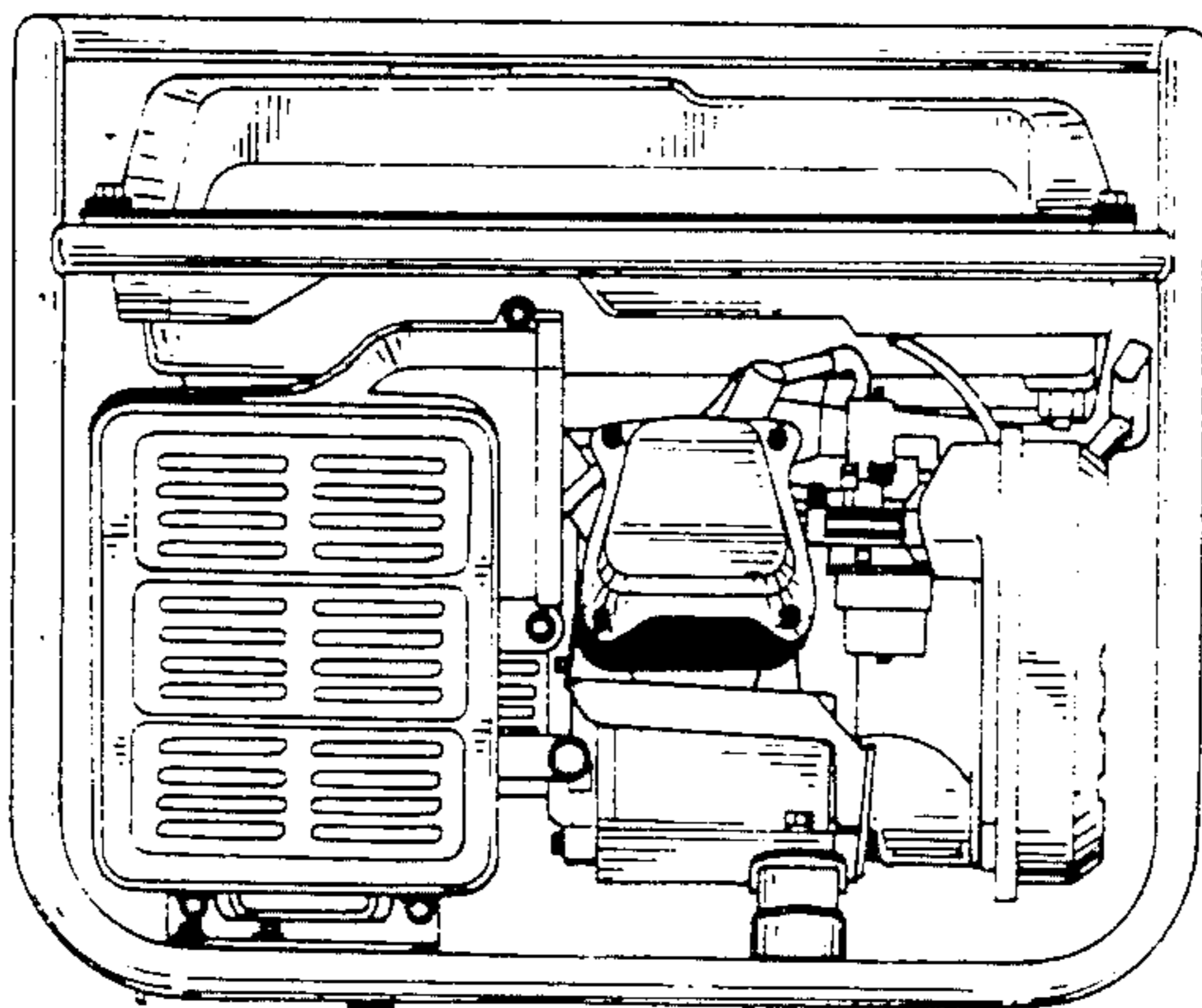


FIG. 3

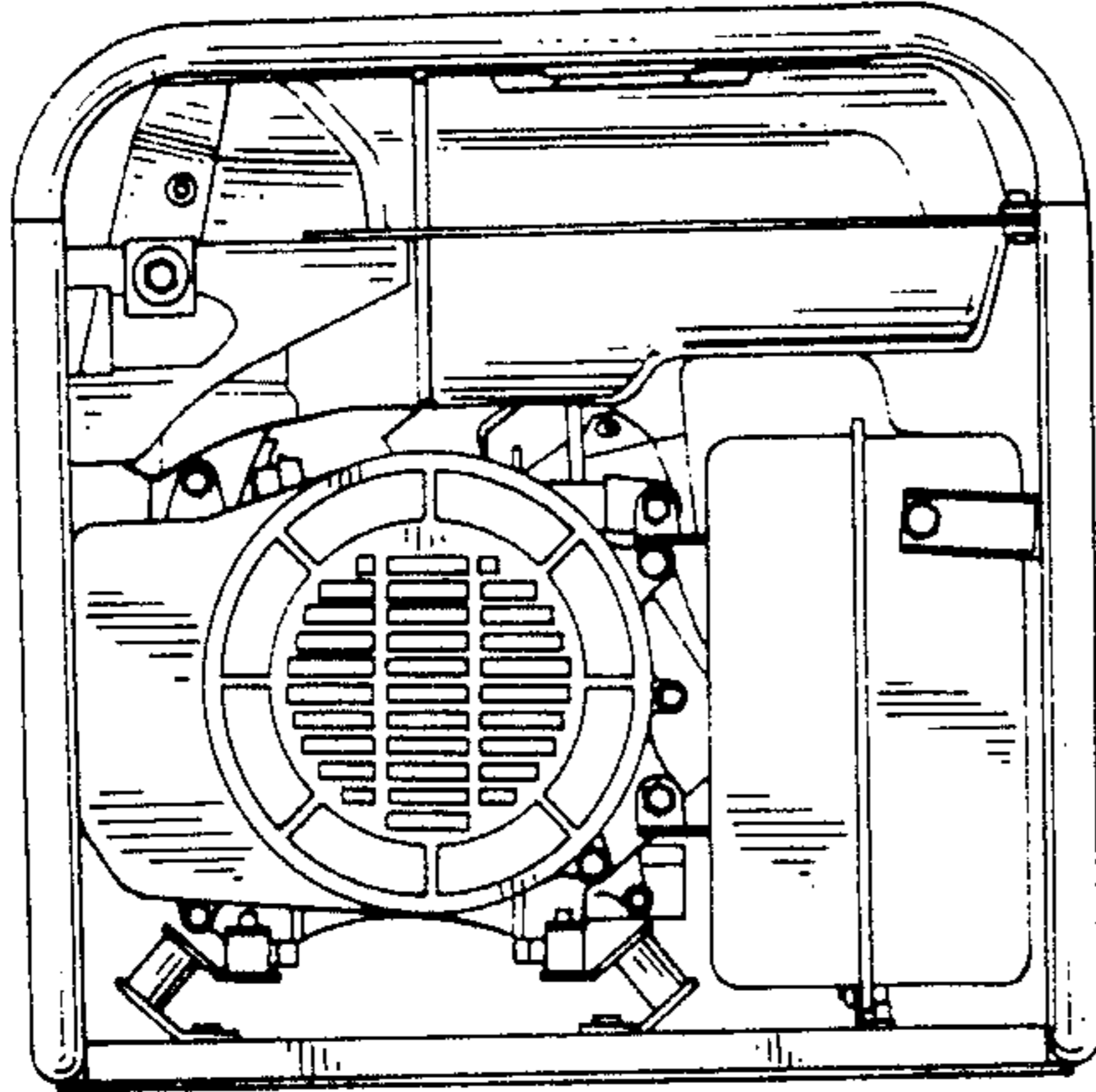


FIG. 4

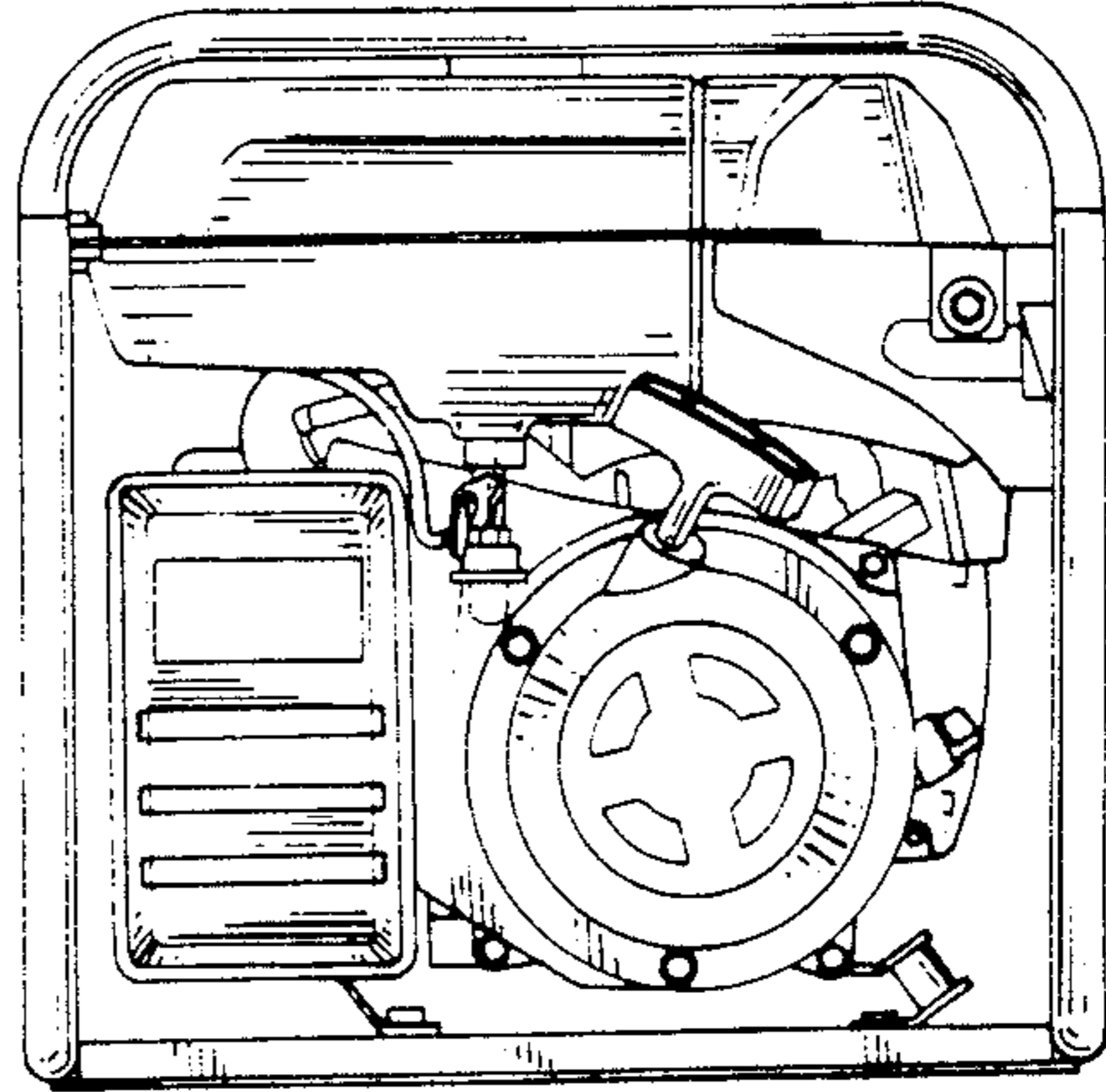


FIG. 5

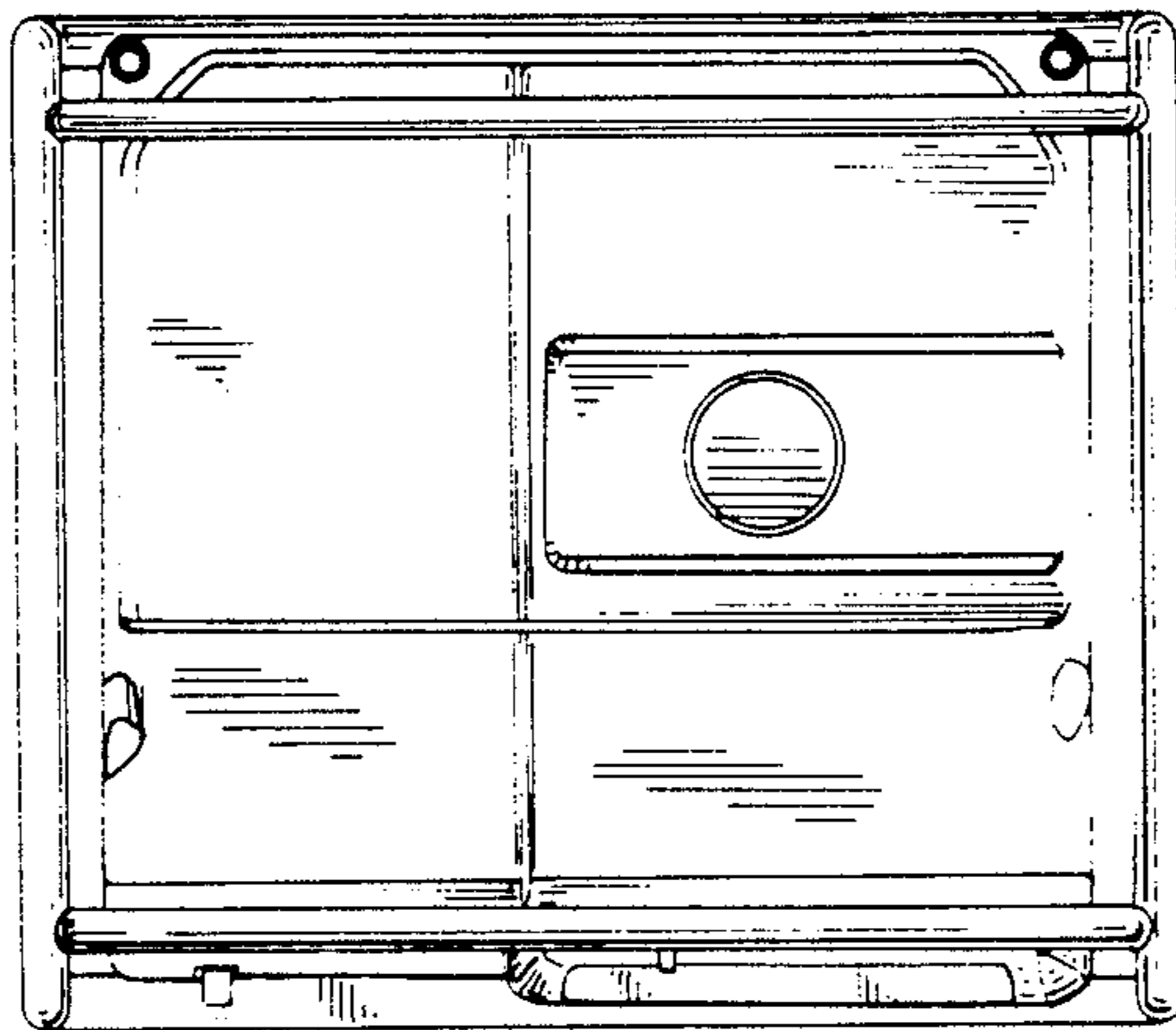


FIG. 6

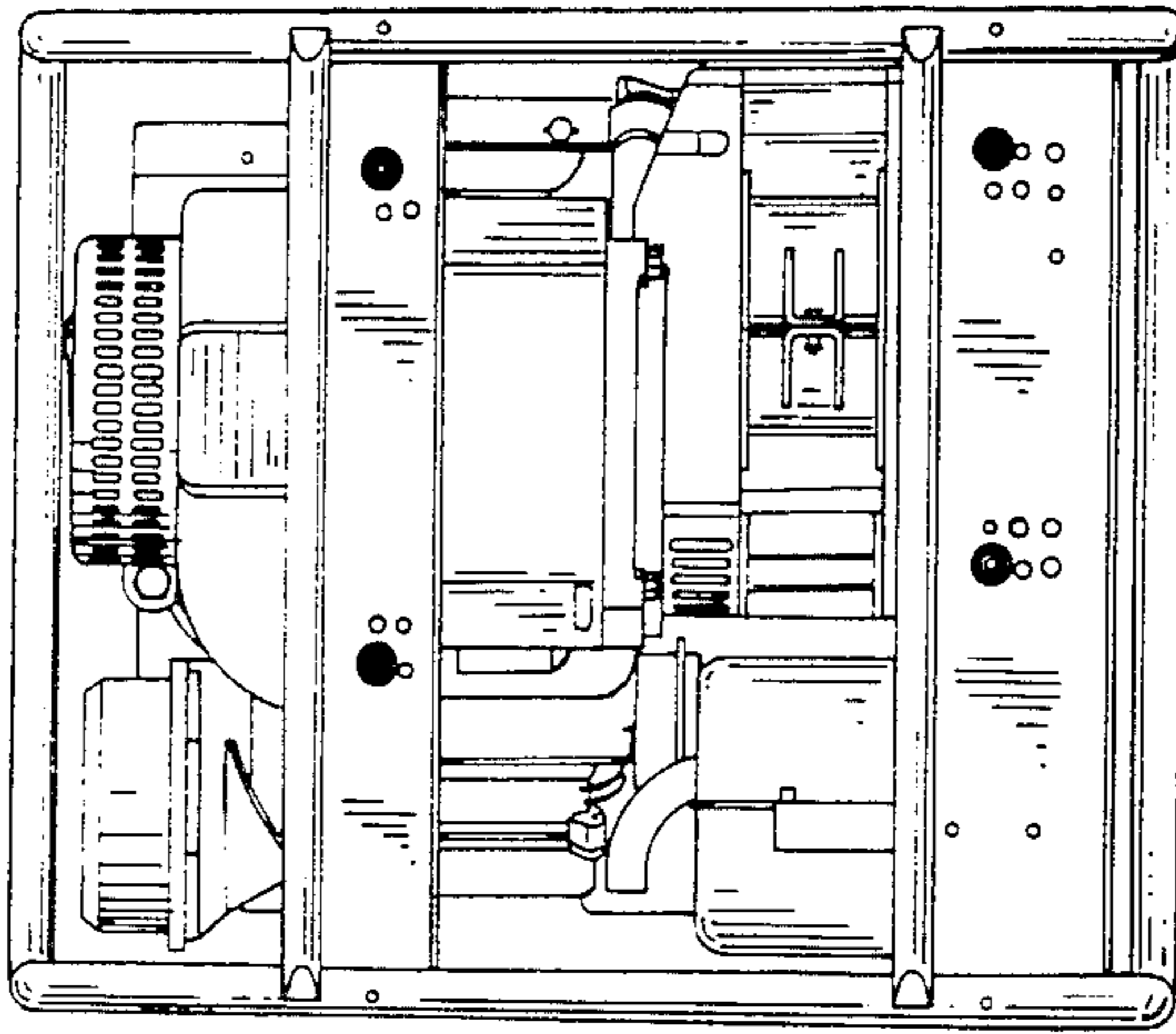


FIG. 7

