

[54] ELASTOMER REAR BUMPER GUARD FOR AUTOMOBILES

[75] Inventors: **Claus Luthe**, Munich; **Boyke Boyer**, Seefeld, both of Fed. Rep. of Germany

[73] Assignee: **Bayerische Motoren Werke AG**, Fed. Rep. of Germany

[**] Term: **14 Years**

[21] Appl. No.: **483,388**

[22] Filed: **Apr. 8, 1983**

[30] **Foreign Application Priority Data**

Oct. 11, 1982 [DE] Fed. Rep. of Germany ... MR 13163

[52] U.S. Cl. **D12/167; D25/74**

[58] Field of Search **D12/167, 169, 172; D25/74; 293/120, 121, 136, 149**

[56] **References Cited**

U.S. PATENT DOCUMENTS

2,910,033	10/1959	Weisburg	293/120
3,471,979	10/1969	Herr	293/121
4,427,225	1/1984	Bauer et al.	293/136

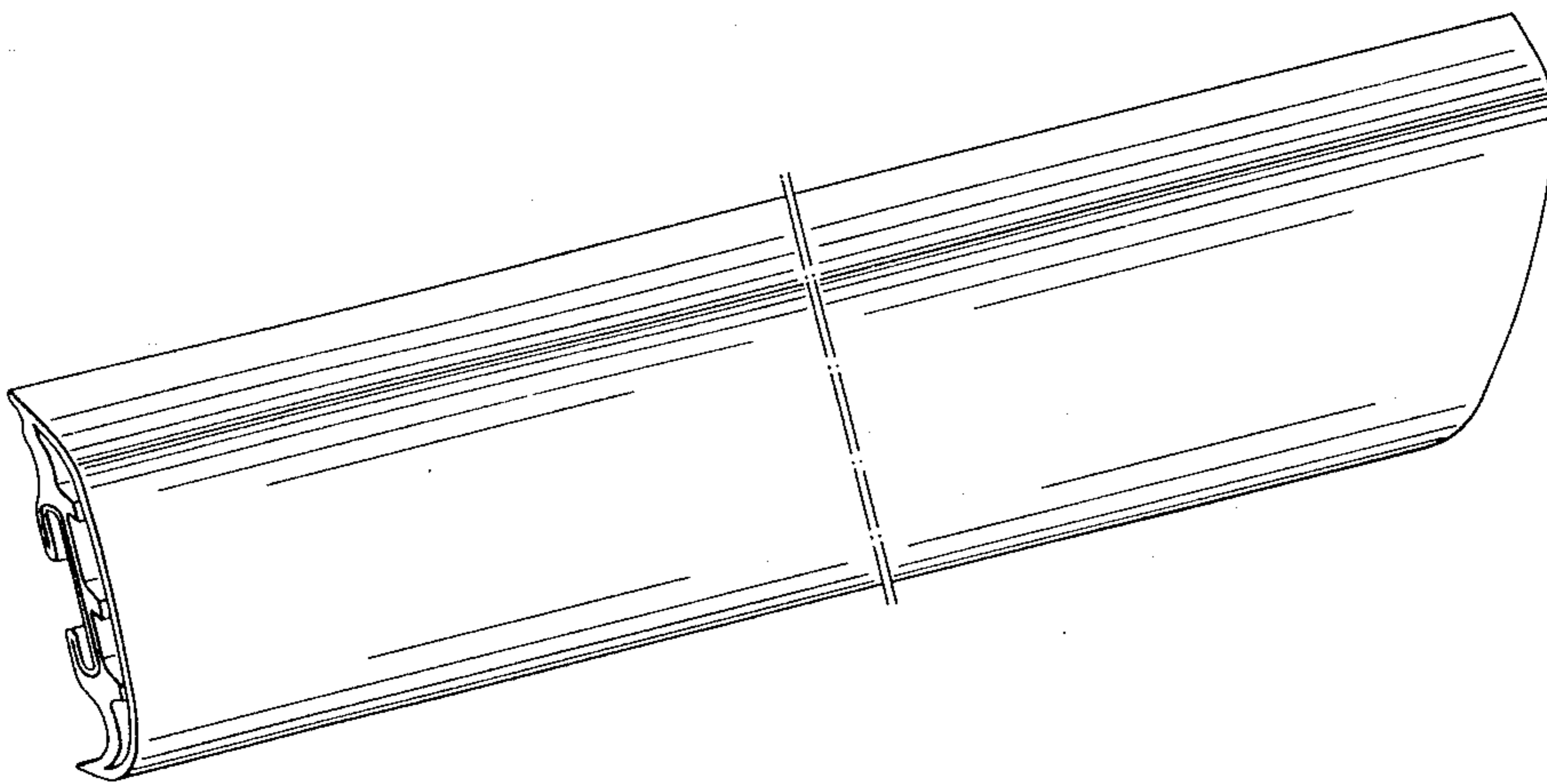
Primary Examiner—James M. Gandy
Attorney, Agent, or Firm—Craig & Burns

[57] **CLAIM**

The ornamental design for an elastomer rear bumper guard for automobiles, as shown and described.

DESCRIPTION

FIG. 1 is a front perspective view of an elastomer rear bumper guard for automobiles showing our new design; FIG. 2 is a front elevation view thereof; FIG. 3 is an end elevation view thereof; FIG. 4 is an end elevation view thereof opposite to that shown in FIG. 3; FIG. 5 is a rear elevation view thereof; FIG. 6 is a top plan view thereof; and FIG. 7 is a bottom plan view thereof.



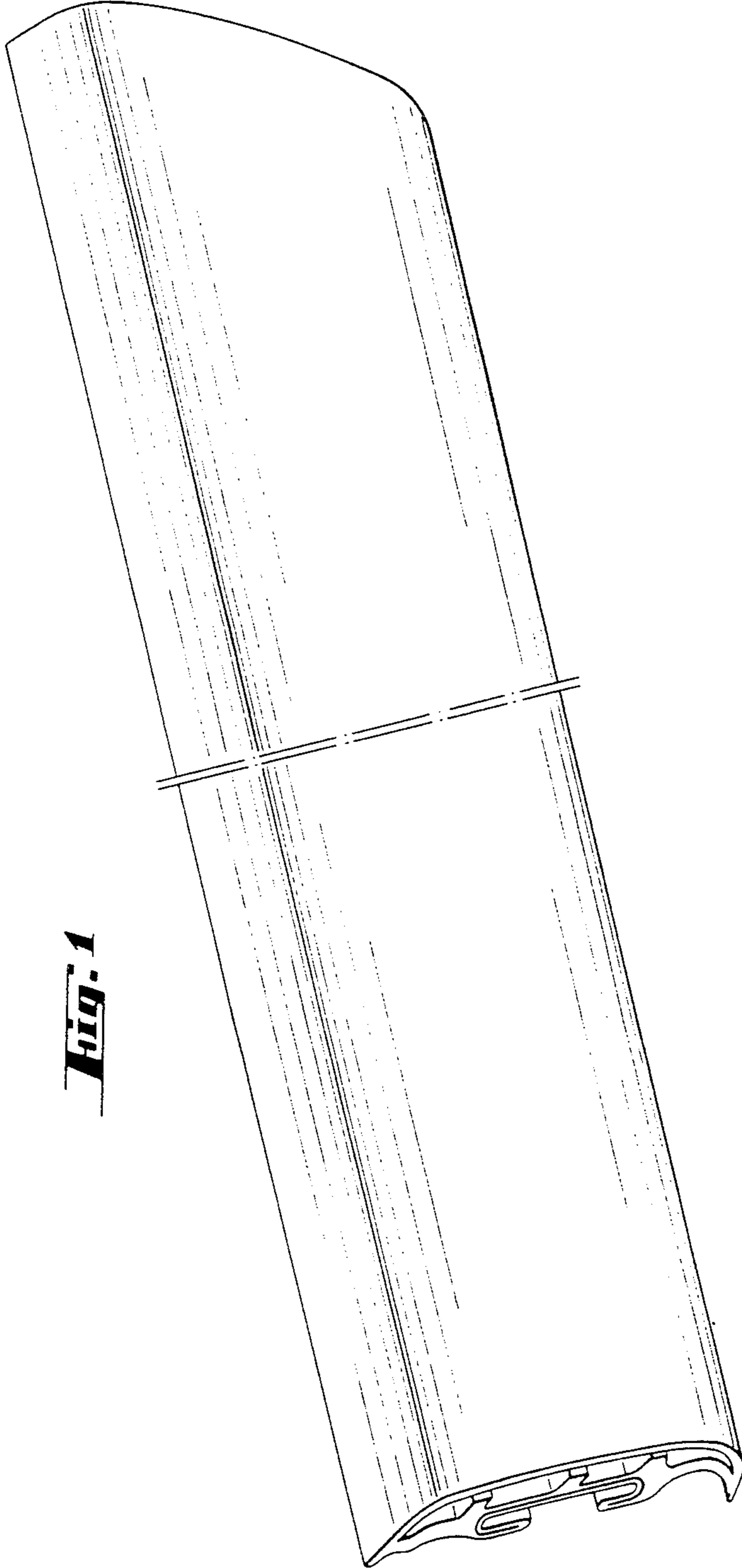


Fig. 1

Fig. 2

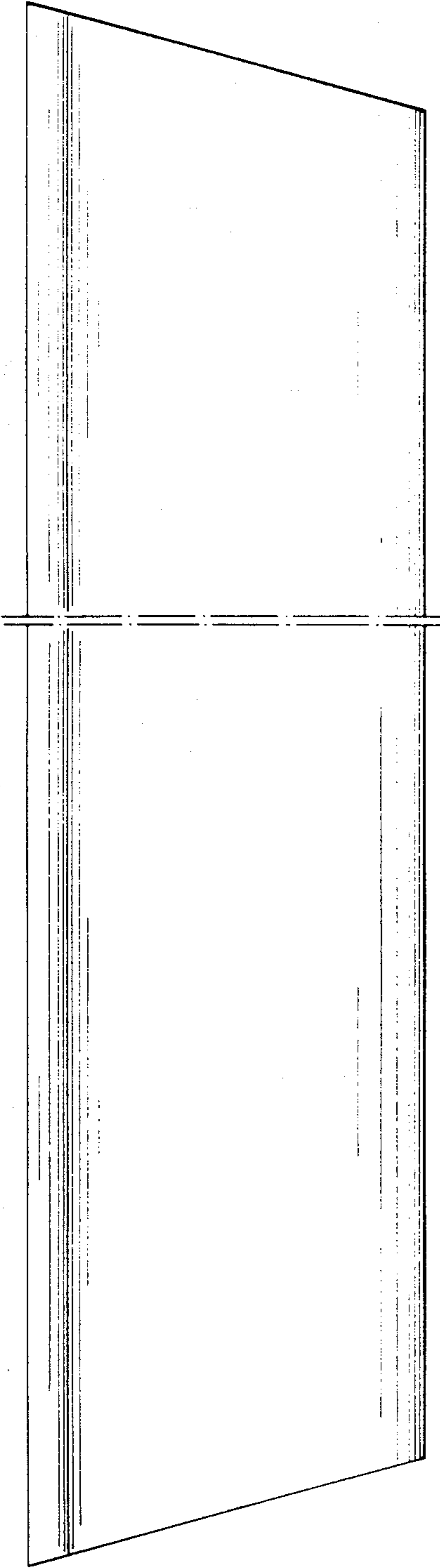


Fig. 4

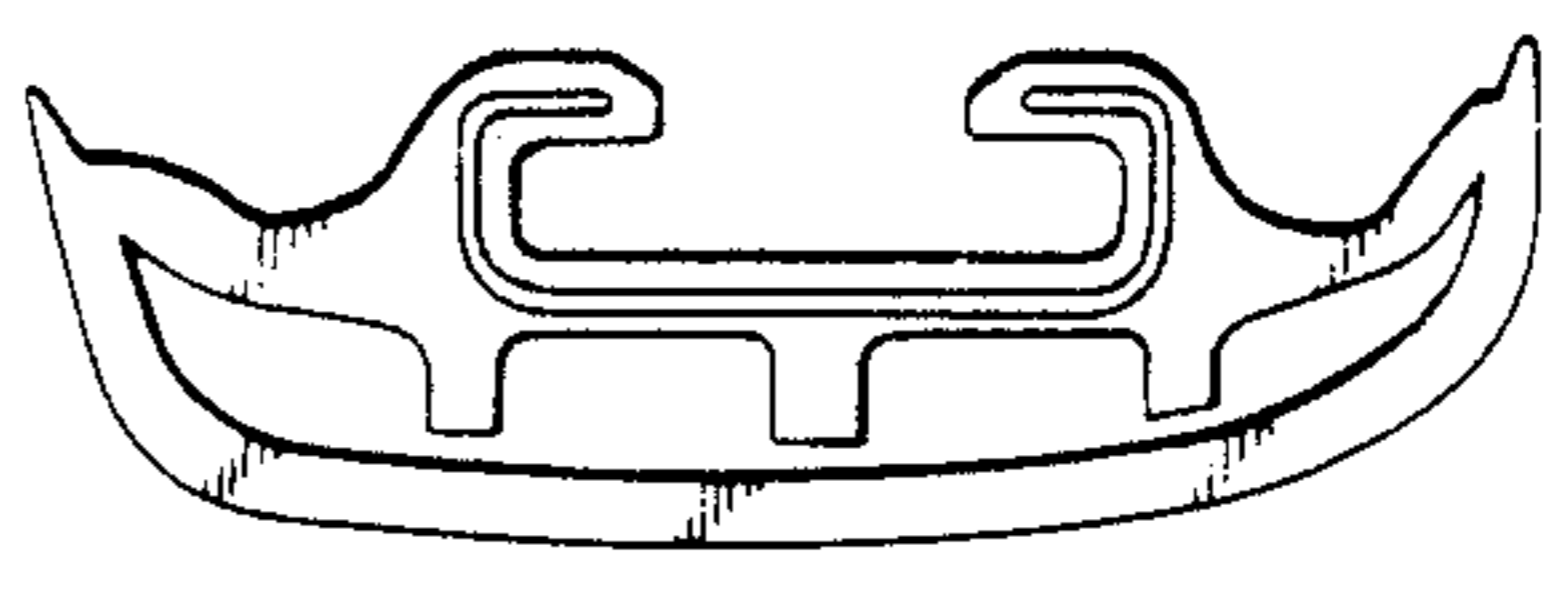


Fig. 3

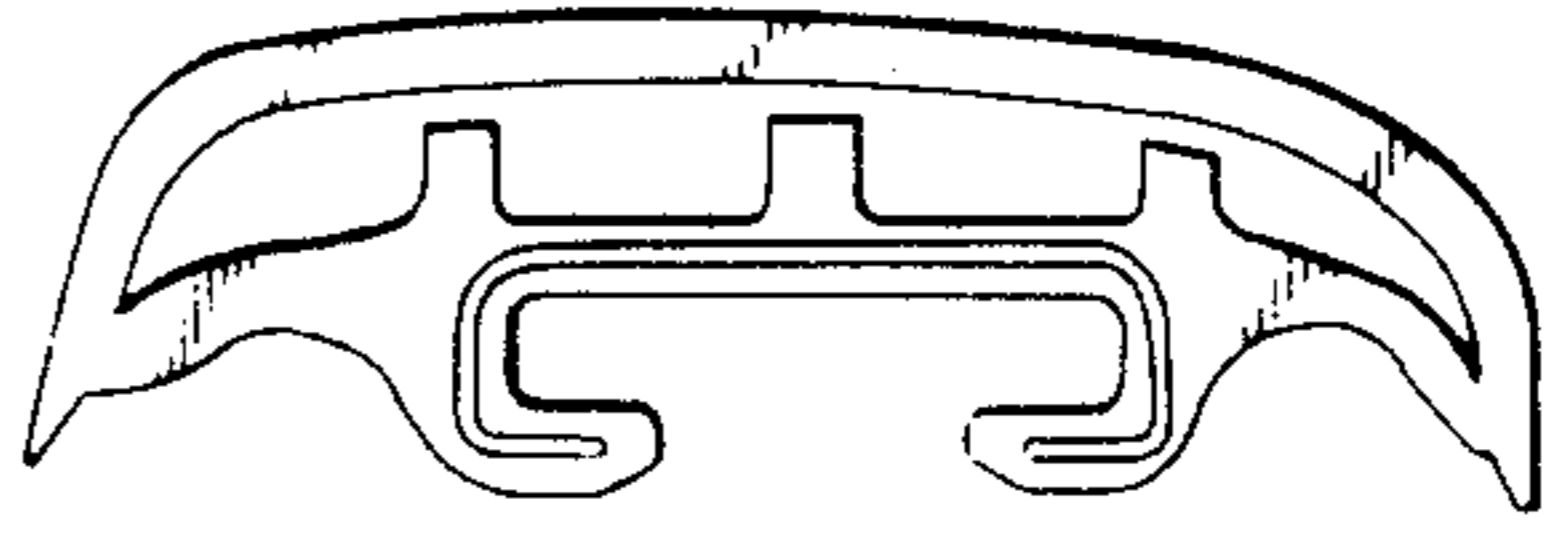


Fig. 1

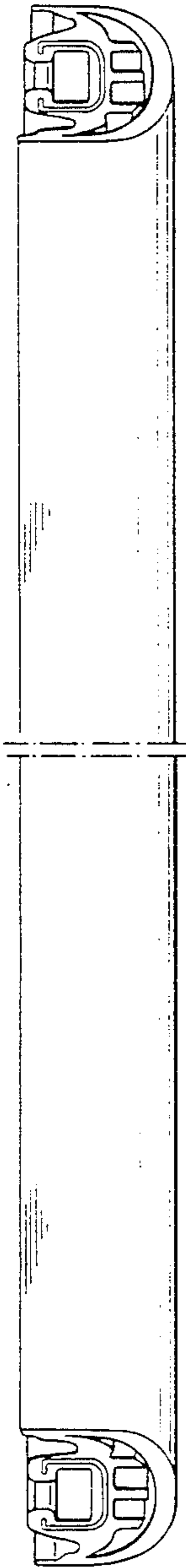


Fig. 5

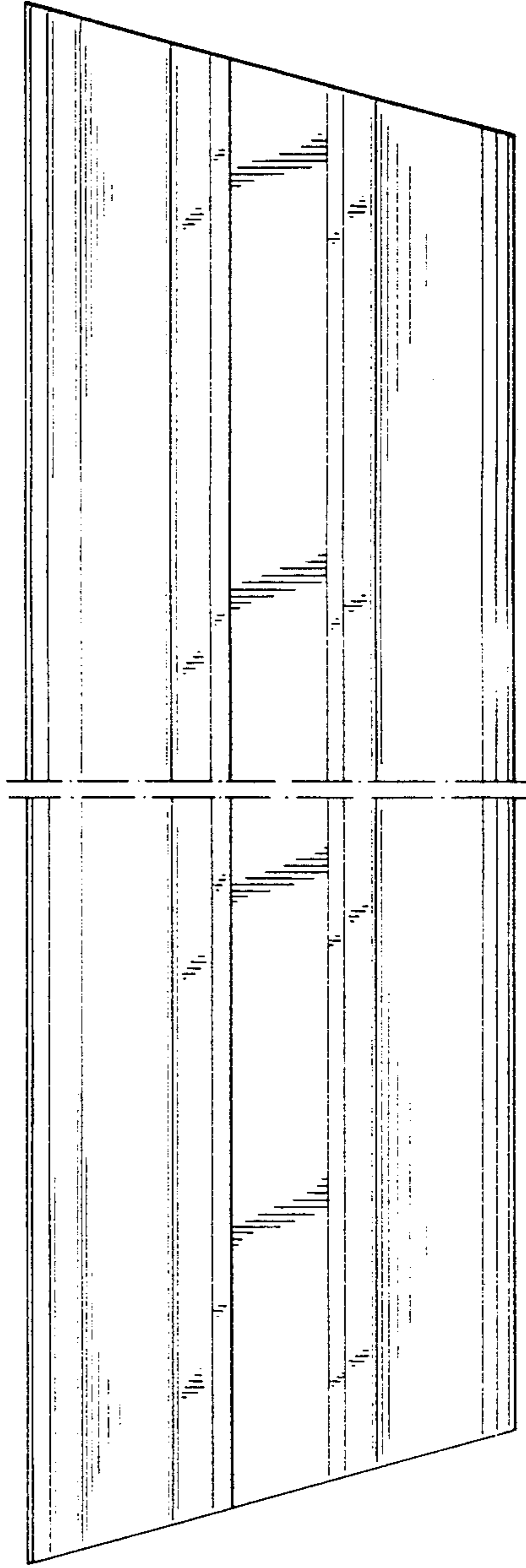


Fig. 6

