

[54] BICYCLE PEDAL TREAD

[75] Inventors: Carlton P. Pawsat; David K. McMurtrey, both of Maysville, Ky.

[73] Assignee: Wald Manufacturing Co., Inc., Maysville, Ky.

[**] Term: 14 Years

[21] Appl. No.: 559,032

[22] Filed: Dec. 7, 1983

[52] U.S. Cl. D12/125

[58] Field of Search D12/125; 74/594.4

[56] References Cited

U.S. PATENT DOCUMENTS

- D. 233,223 10/1974 Pawsat et al. D12/125
- D. 251,552 4/1979 Humlong D12/125

Primary Examiner—James M. Gandy
Attorney, Agent, or Firm—Wood, Herron & Evans

[57] CLAIM

The ornamental design for a bicycle pedal tread, as shown and described.

DESCRIPTION

FIG. 1 is a top perspective view of a bicycle pedal tread showing our new design.

FIG. 2 is a front elevational view thereof.

FIG. 3 is a top plan view, the bottom plan view of which is a mirror image thereof.

FIG. 4 is an end elevational view of one end, the opposite end of which is a mirror image thereof.

FIG. 5 is a rear elevational view thereof.

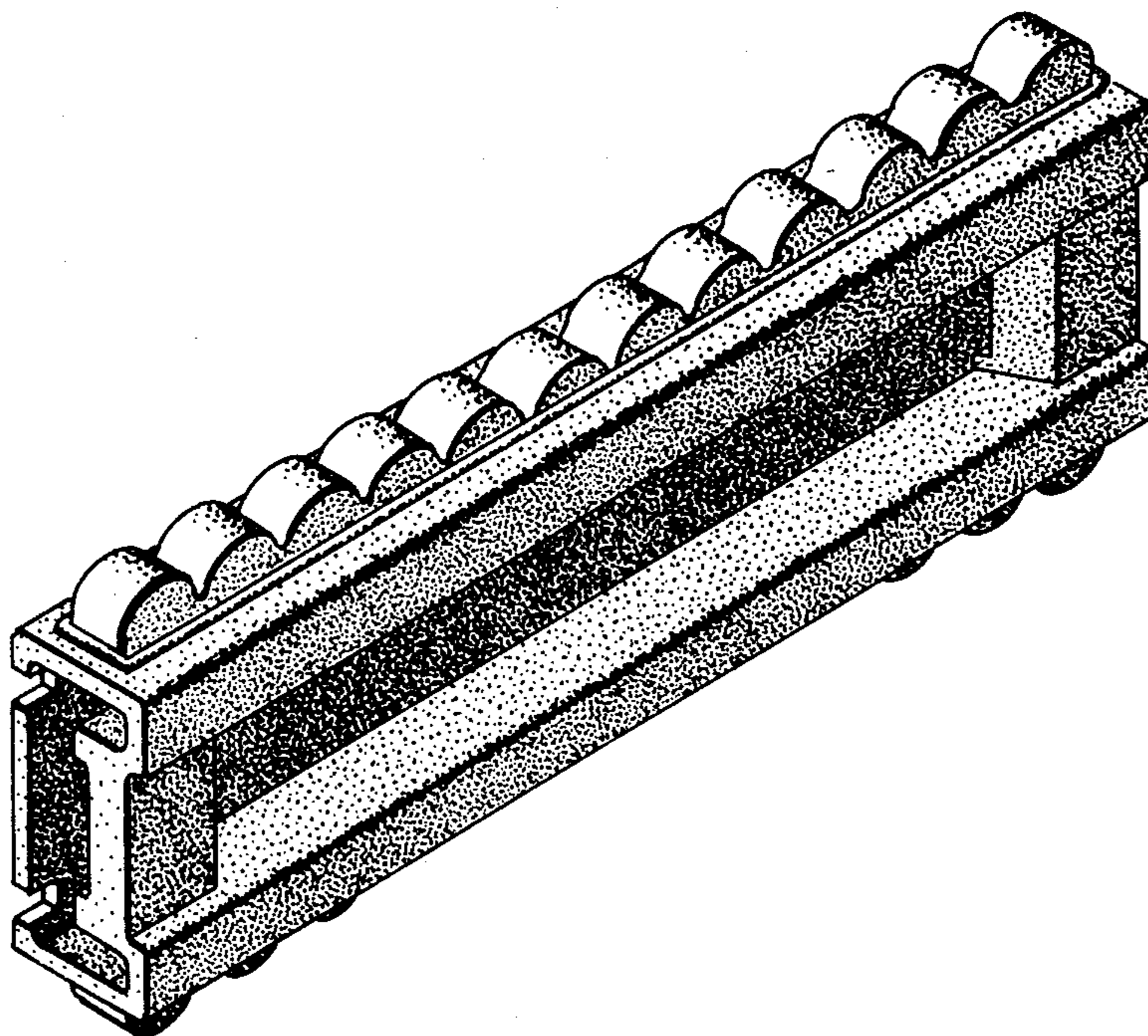
FIG. 6 is a top perspective view of a second embodiment of a bicycle pedal tread showing our new design.

FIG. 7 is a front elevational view of the embodiment of FIG. 6.

FIG. 8 is a top plan view of the embodiment of FIG. 6, the bottom plan view of which is a mirror image thereof.

FIG. 9 is an end elevational view of one end of the embodiment of FIG. 6, the opposite end of which is a mirror image thereof.

FIG. 10 is a rear elevational view of the embodiment of FIG. 6.



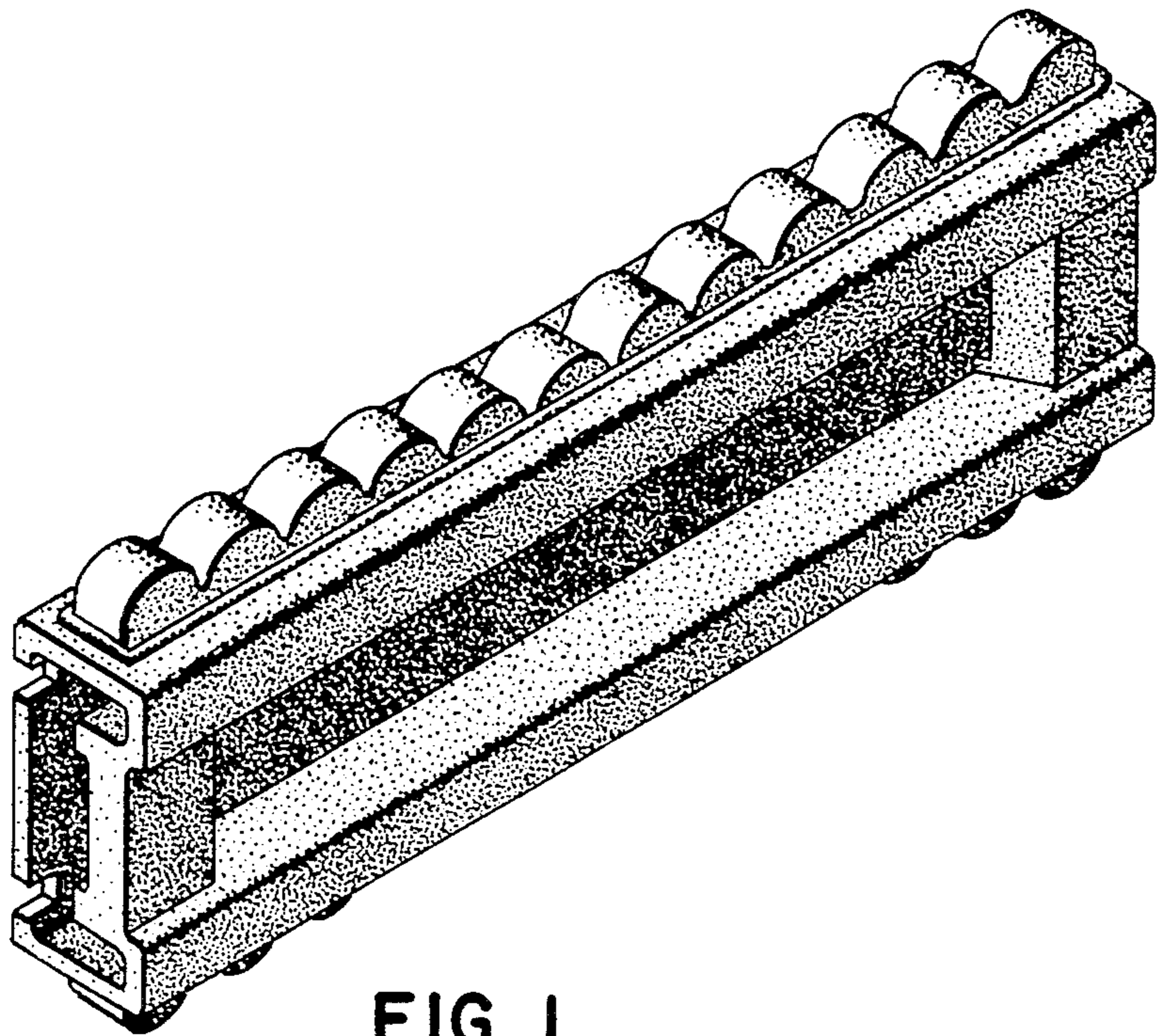


FIG. 1

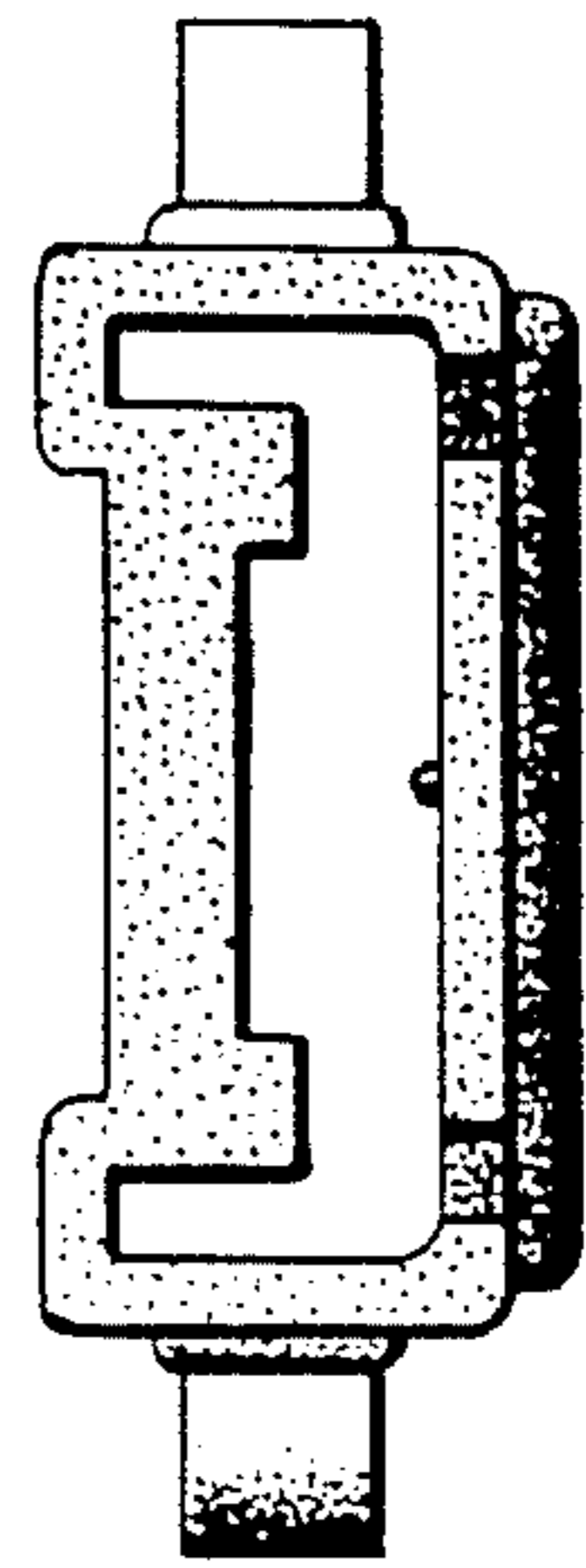


FIG. 4

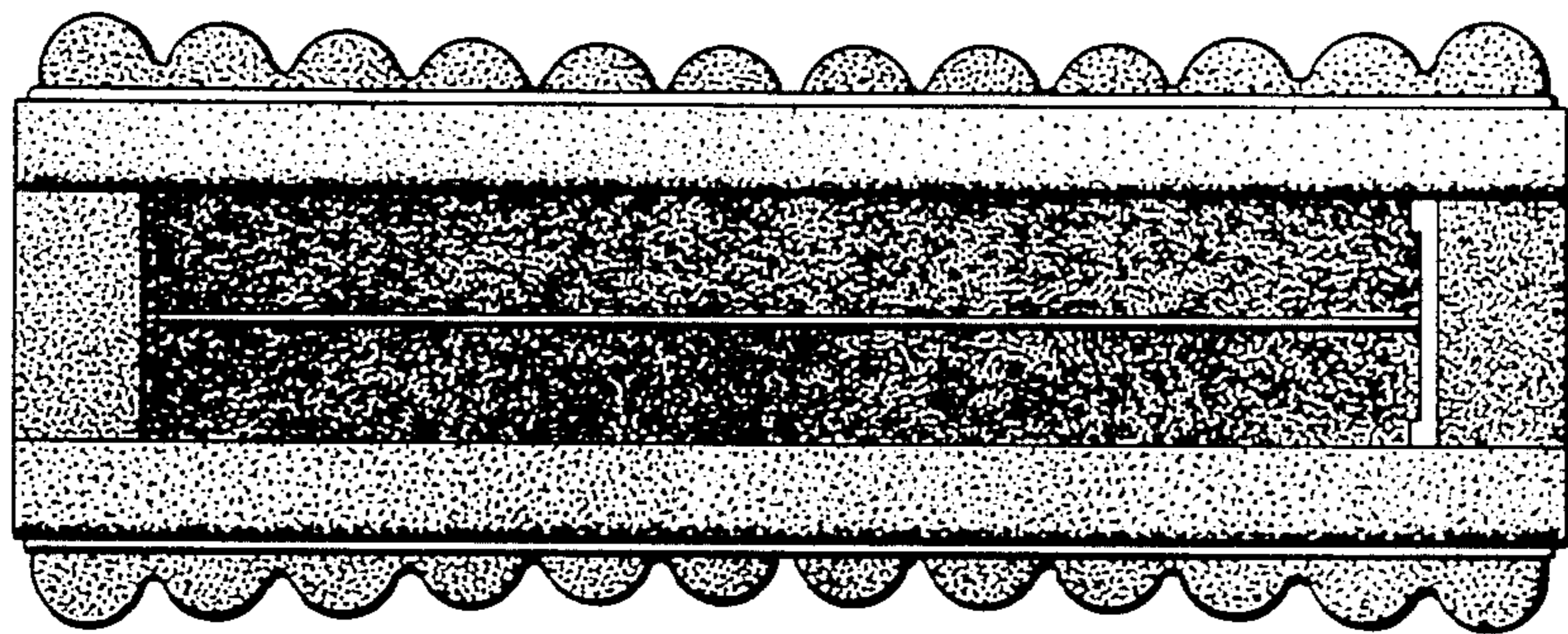


FIG. 2

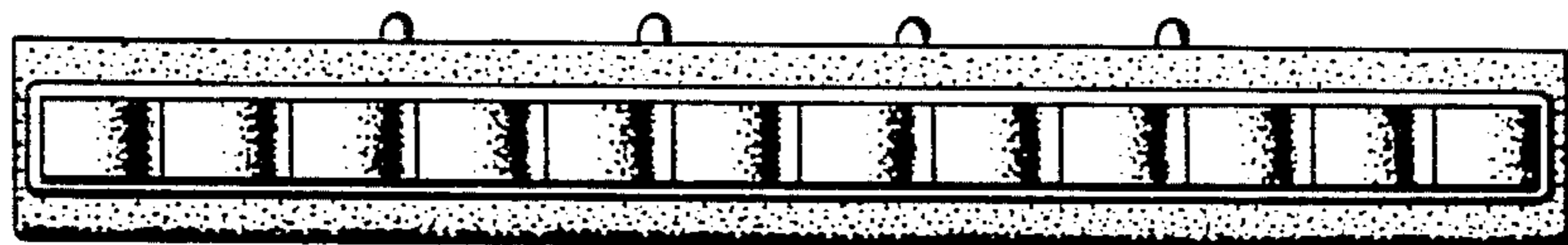


FIG. 3

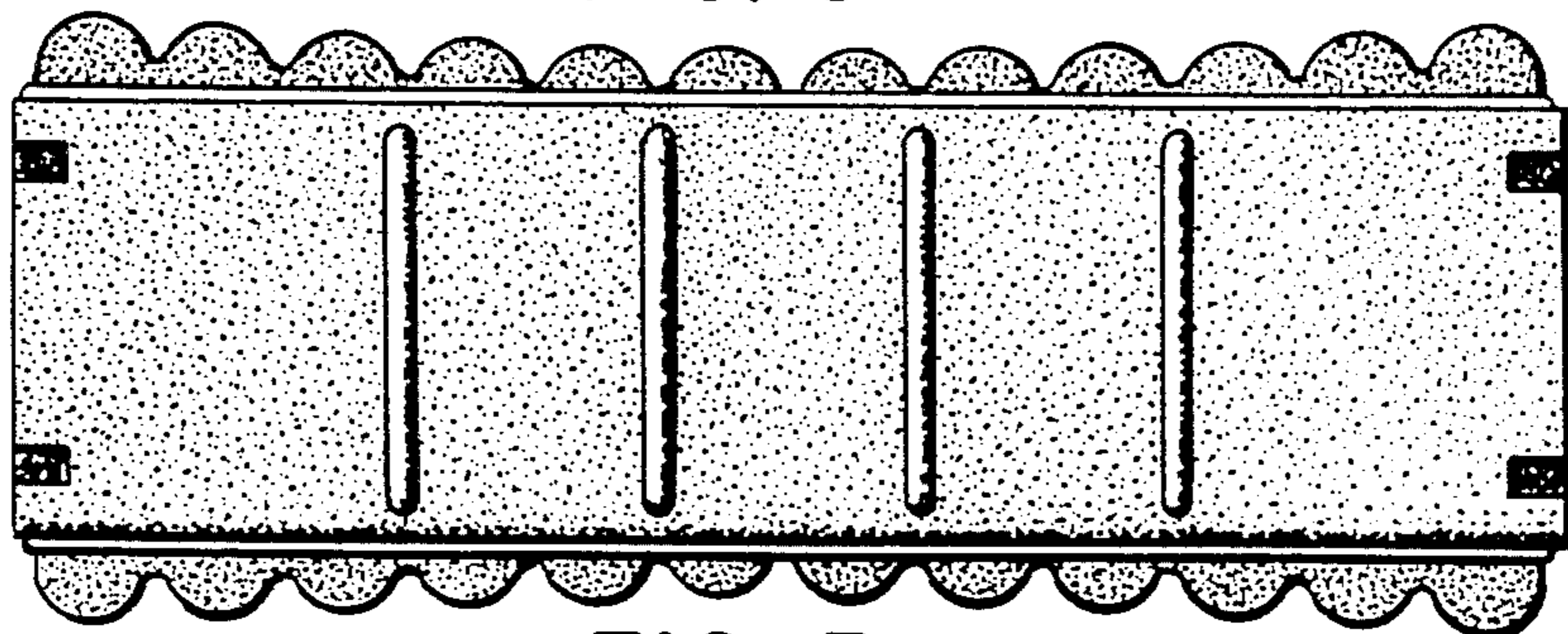


FIG. 5

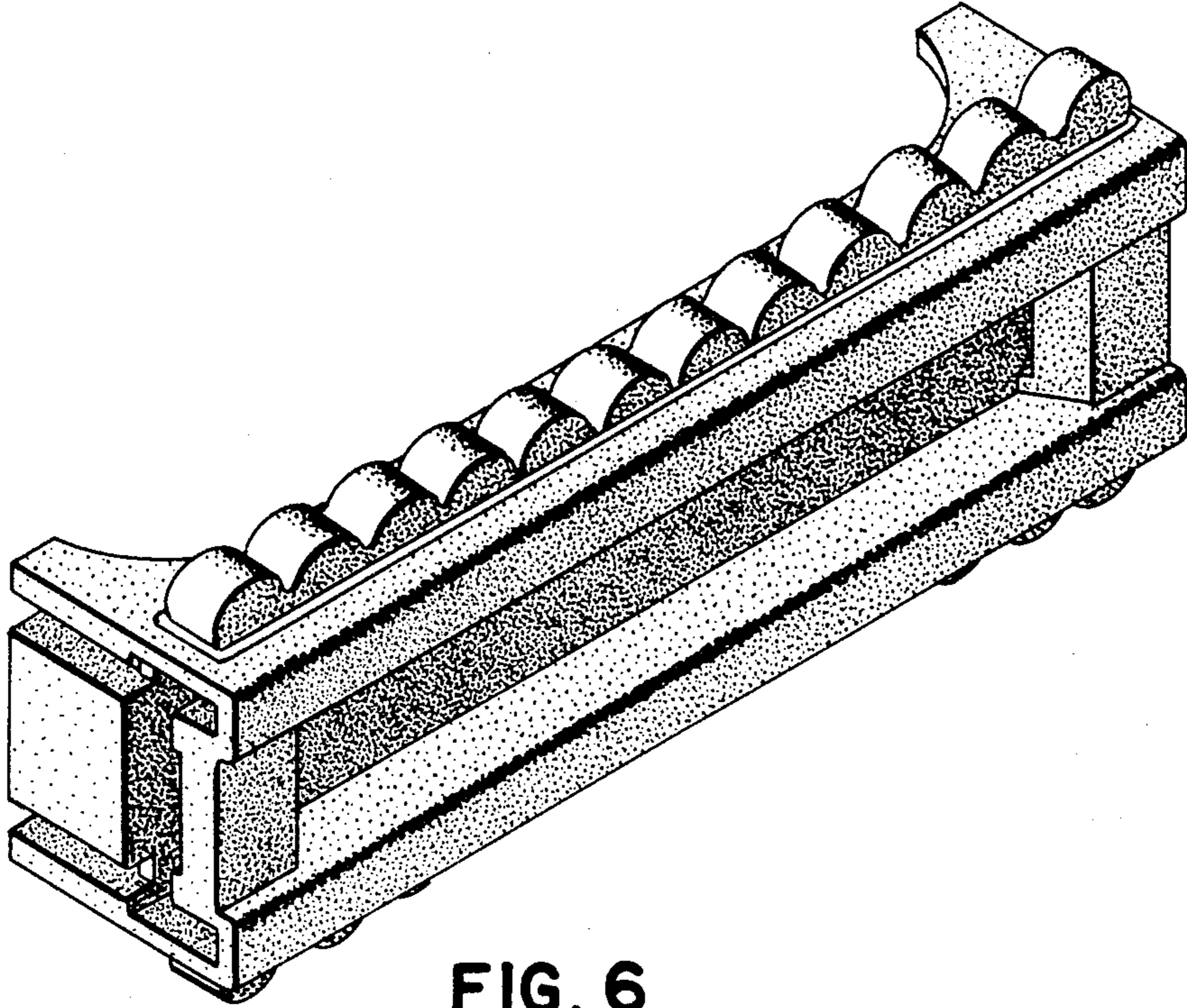


FIG. 6

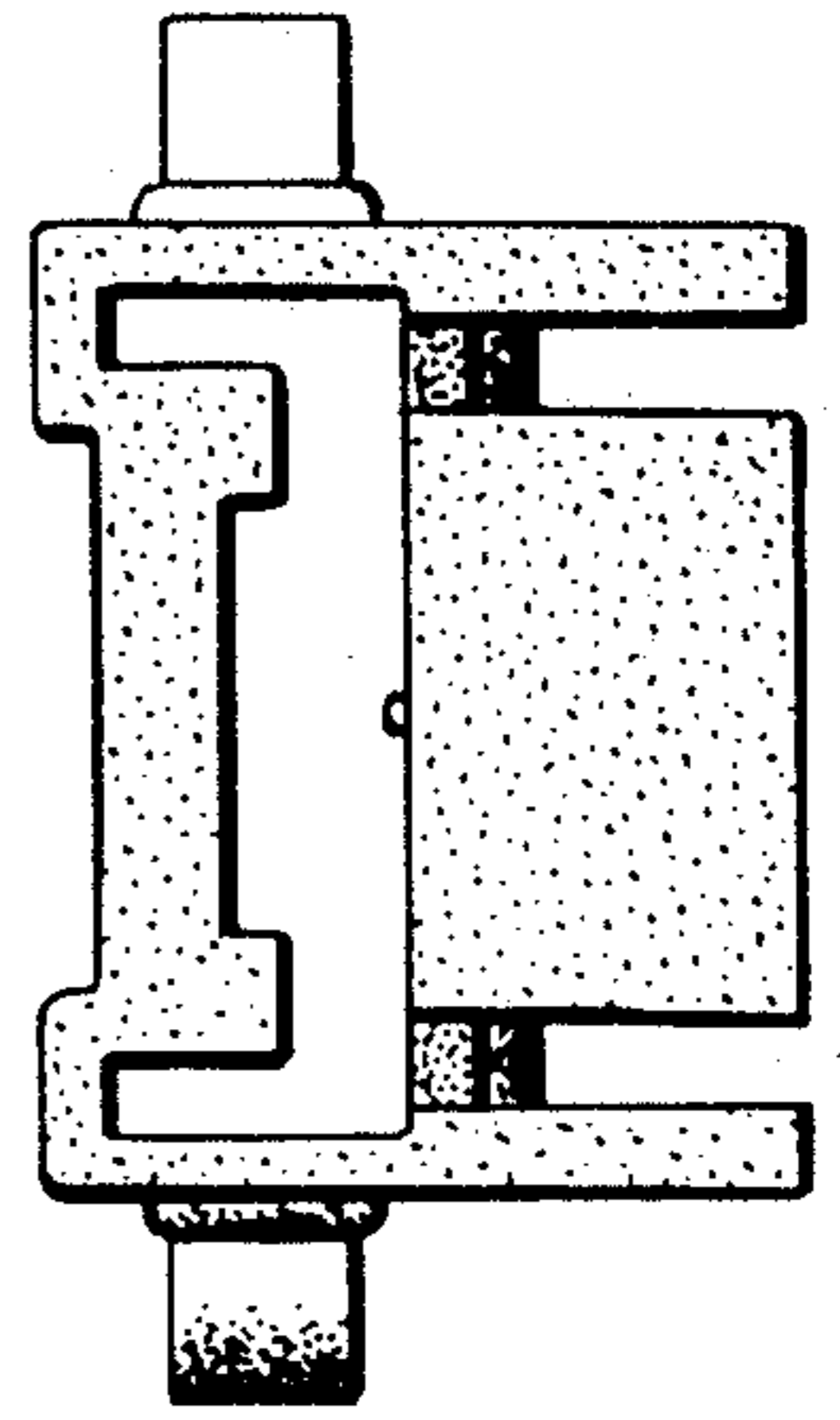


FIG. 9

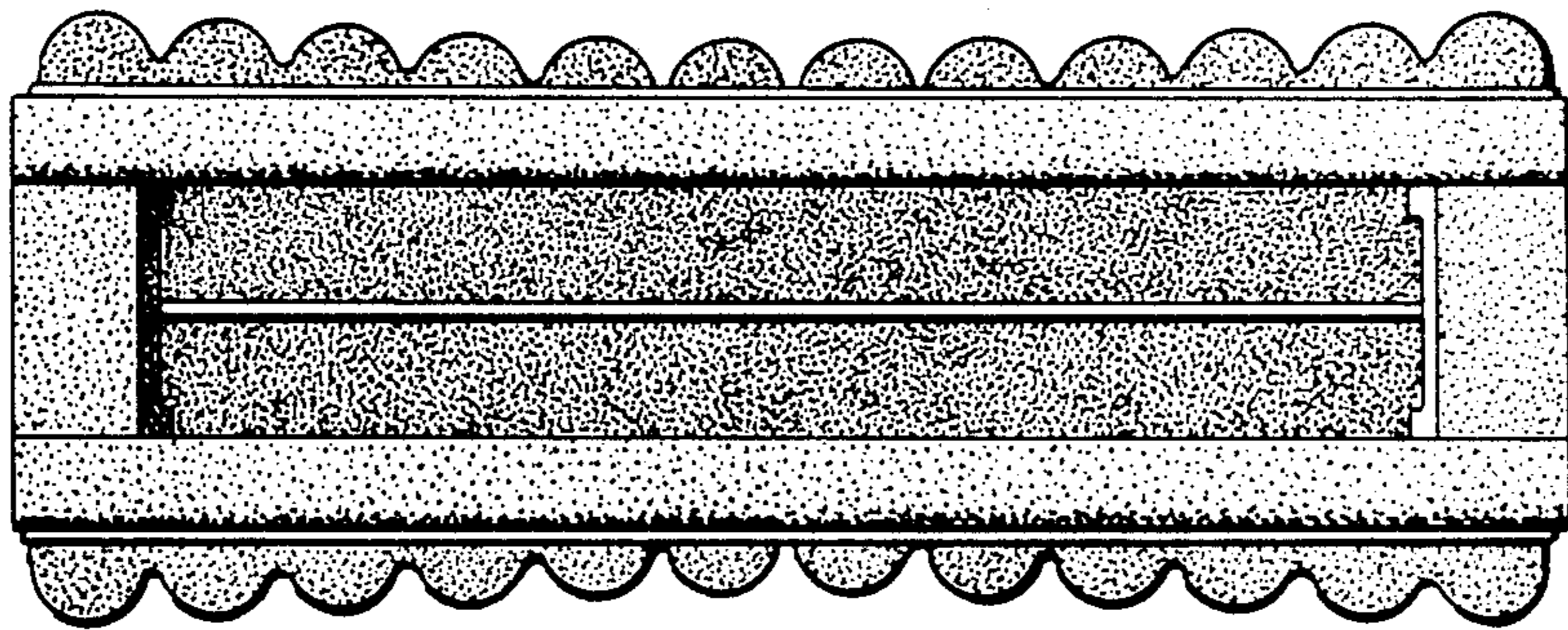


FIG. 7

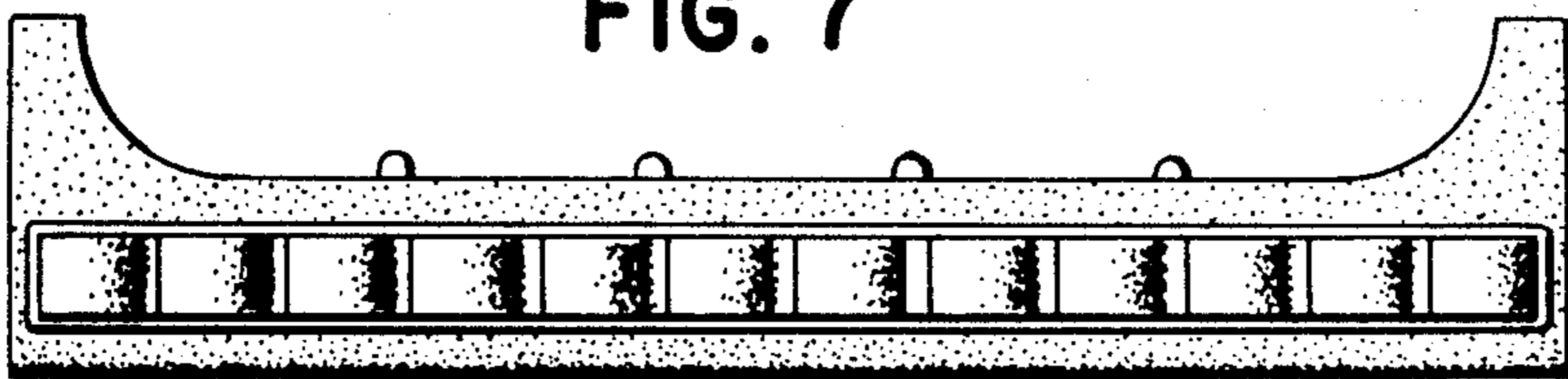


FIG. 8

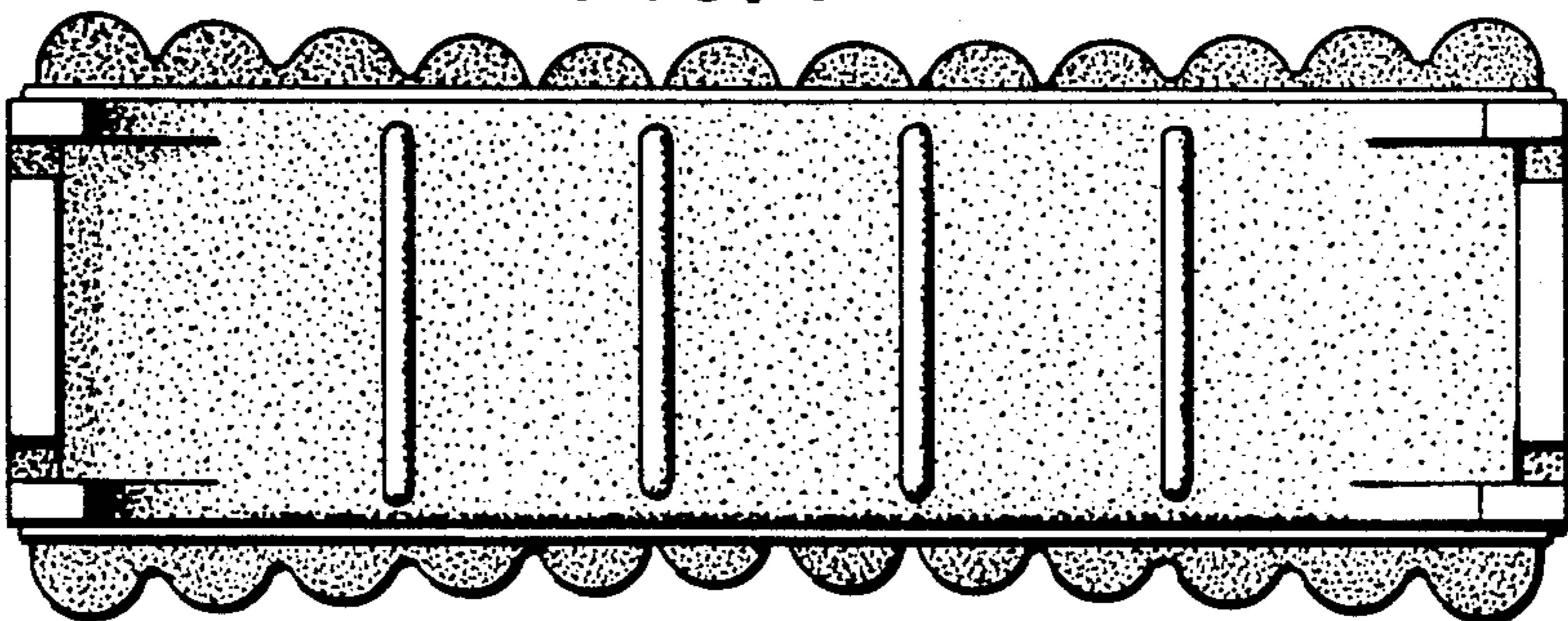


FIG. 10