

[54] TOWEL TRAY

[75] Inventor: Warde M. Cameron, Jr., Sandy, Utah

[73] Assignee: Warner-Lambert Company, Morris Plains, N.J.

[\*\*] Term: 14 Years

[21] Appl. No.: 518,707

[22] Filed: Jul. 29, 1983

[52] U.S. Cl. .... D9/425; D24/31

[58] Field of Search ..... D24/31; 206/361, 362.4, 206/363, 364, 366, 370, 562, 563, 564, 812; D9/425, 432, 456

[56] References Cited

U.S. PATENT DOCUMENTS

- D. 229,171 11/1973 Duhy ..... D9/425
- D. 240,597 7/1976 Persson ..... D9/425

2,954,116	9/1960	Maso et al. ....	206/440 X
4,042,109	8/1977	Barcan .....	206/440
4,220,244	9/1980	Elmore .....	206/812 X

Primary Examiner—A. Hugo Word  
Assistant Examiner—Stella Reid  
Attorney, Agent, or Firm—Louis S. Gillow

[57] CLAIM

The ornamental design for a towel tray, substantially as shown and described.

DESCRIPTION

FIG. 1 is a perspective view of a towel tray embodying my new design;  
FIG. 2 is a front elevational view thereof;  
FIG. 3 is a rear elevational view thereof;  
FIG. 4 is a side elevational view thereof;  
FIG. 5 is a top plan view thereof; and  
FIG. 6 is a bottom plan view thereof.

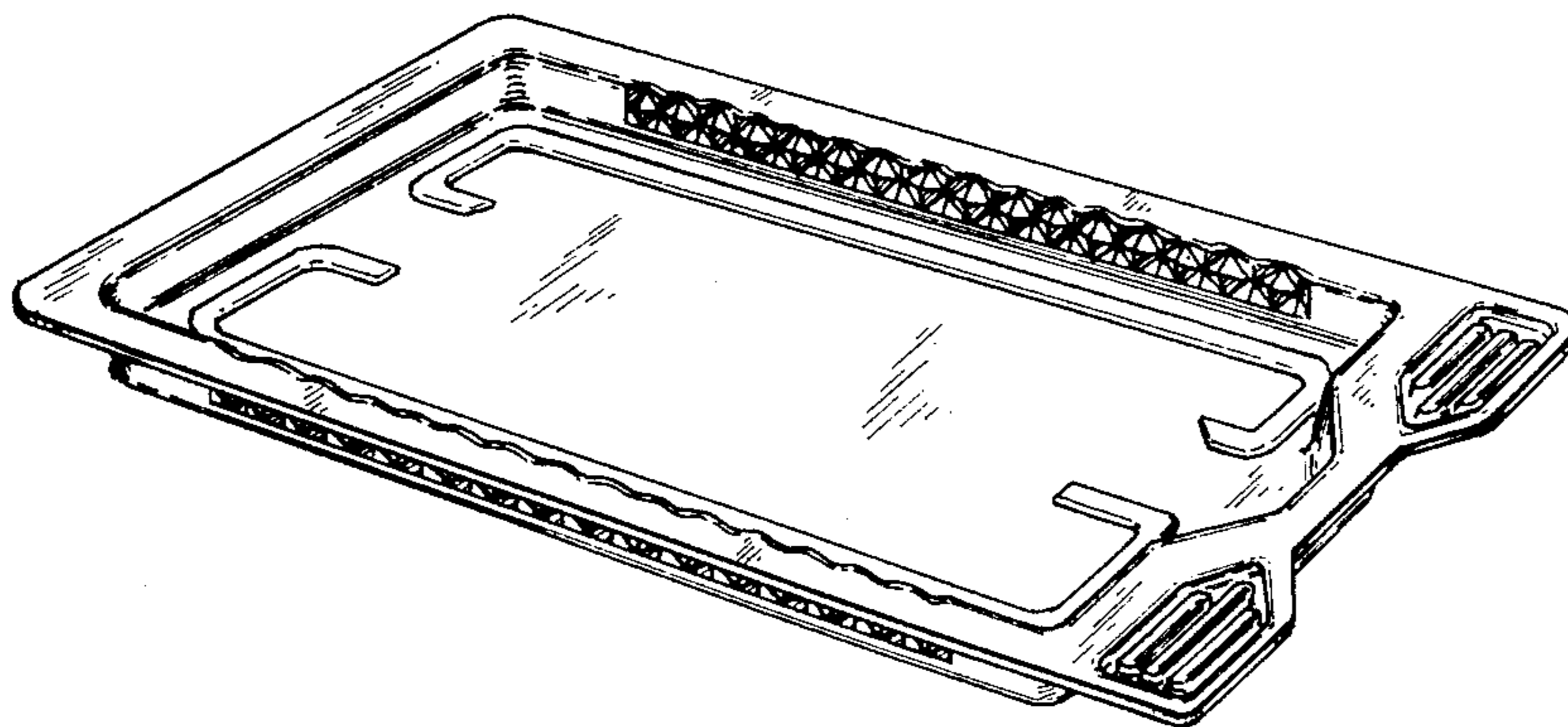


FIG-2



FIG-3



FIG-1

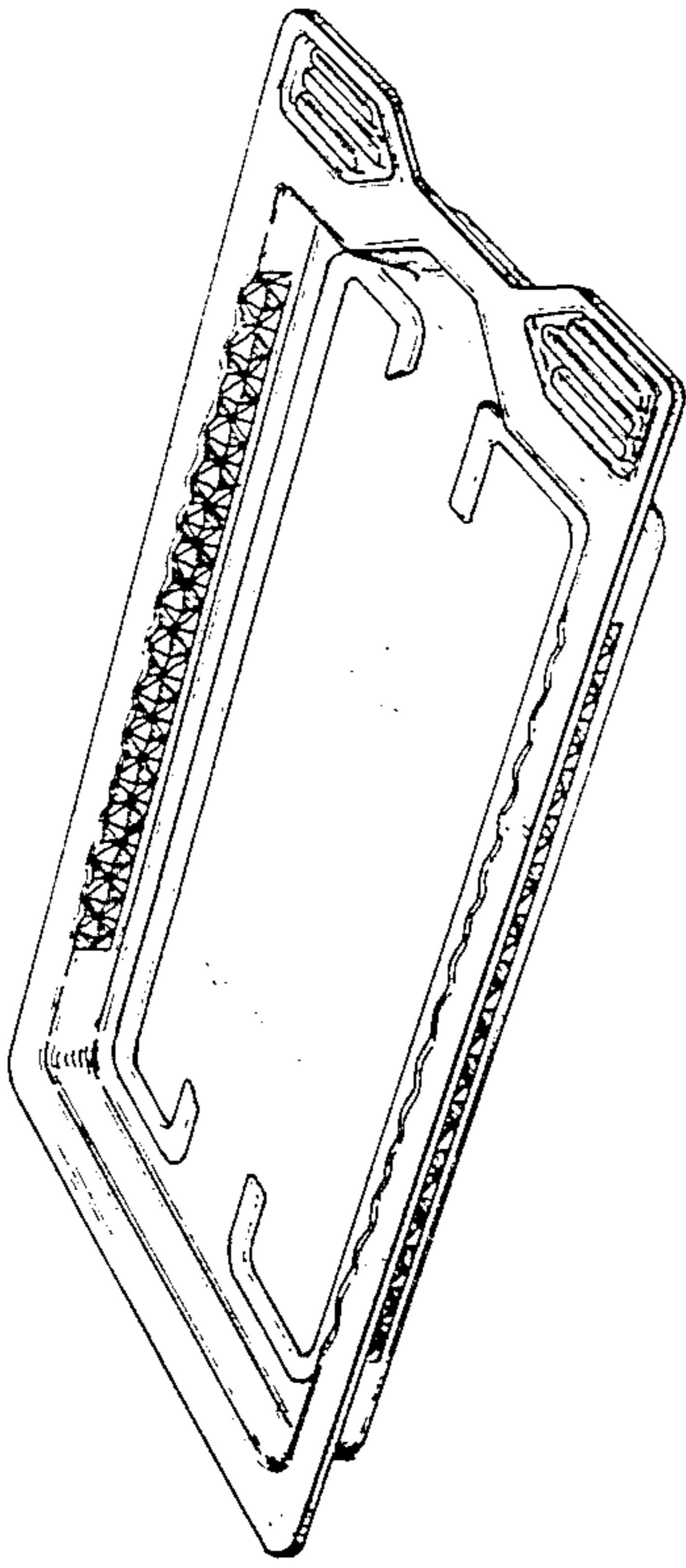


FIG-4

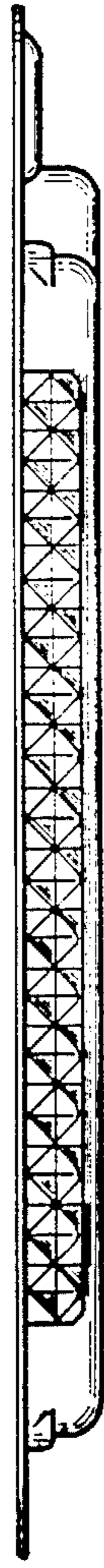


FIG-5

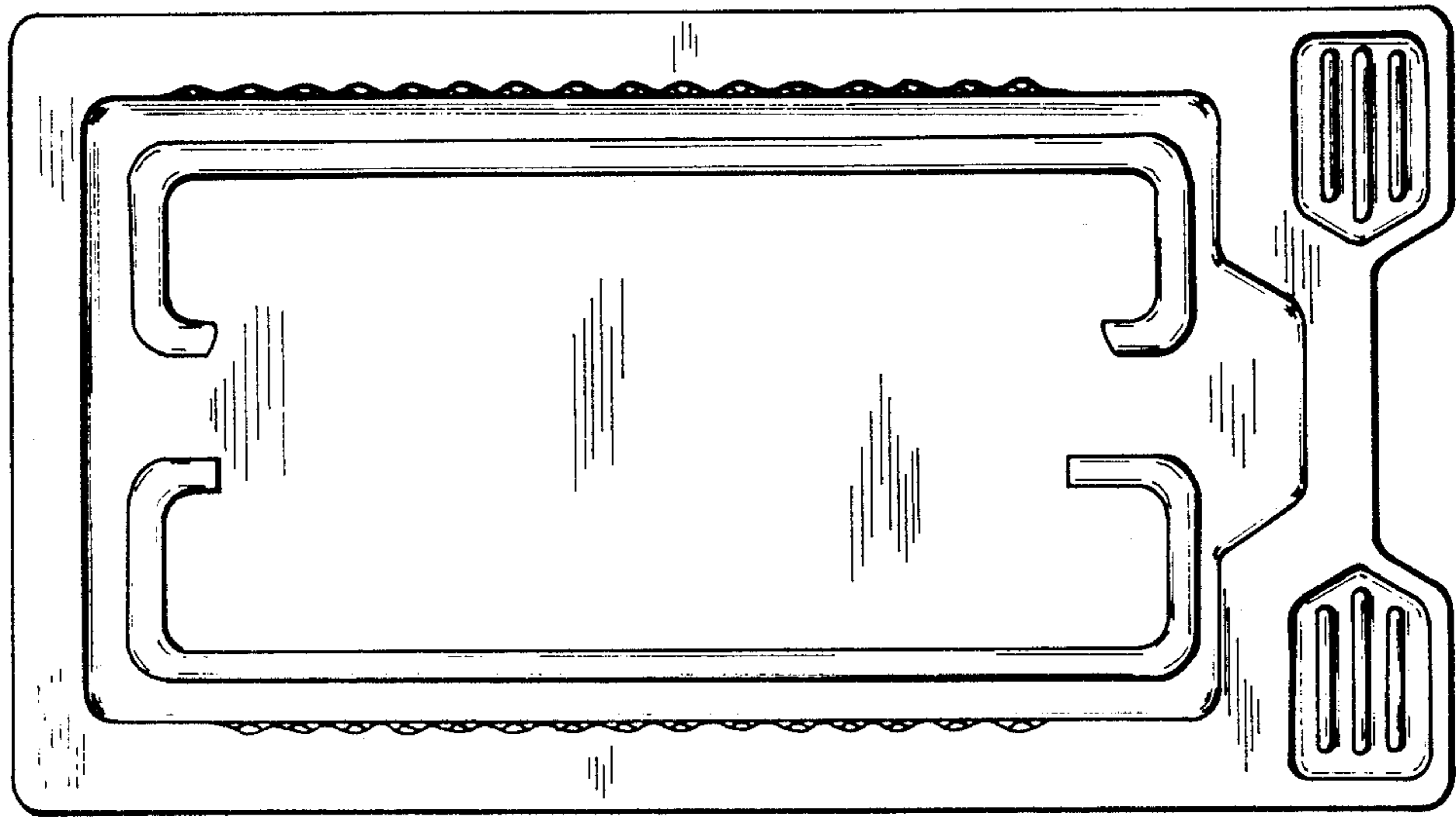


FIG-6

