

[54] **CARTON**
[75] **Inventor: Luke Borg, Rosebery, New South Wales, Australia**
[73] **Assignee: Fibre Containers Limited, New South Wales, Australia**
[**] **Term: 14 Years**
[21] **Appl. No.: 480,676**
[22] **Filed: Mar. 31, 1983**
[52] **U.S. Cl. D9/418; D9/414; D9/431**
[58] **Field of Search 229/52 B, 52 R, 52 A, 229/22, 18, 17 G; D9/431, 432, 378, 403, 414, 418**

[56] **References Cited**
U.S. PATENT DOCUMENTS
D. 81,893 8/1930 Schleicher D9/431

D. 101,608 10/1936 Ansehl D9/431
D. 231,201 4/1974 Bonfitto D9/418
D. 259,175 5/1981 Austin, Jr. D9/431
3,731,869 5/1973 Griffin 229/22
4,095,690 6/1978 Baldwin 229/22 X
4,237,097 12/1980 McDuffie 229/22 X

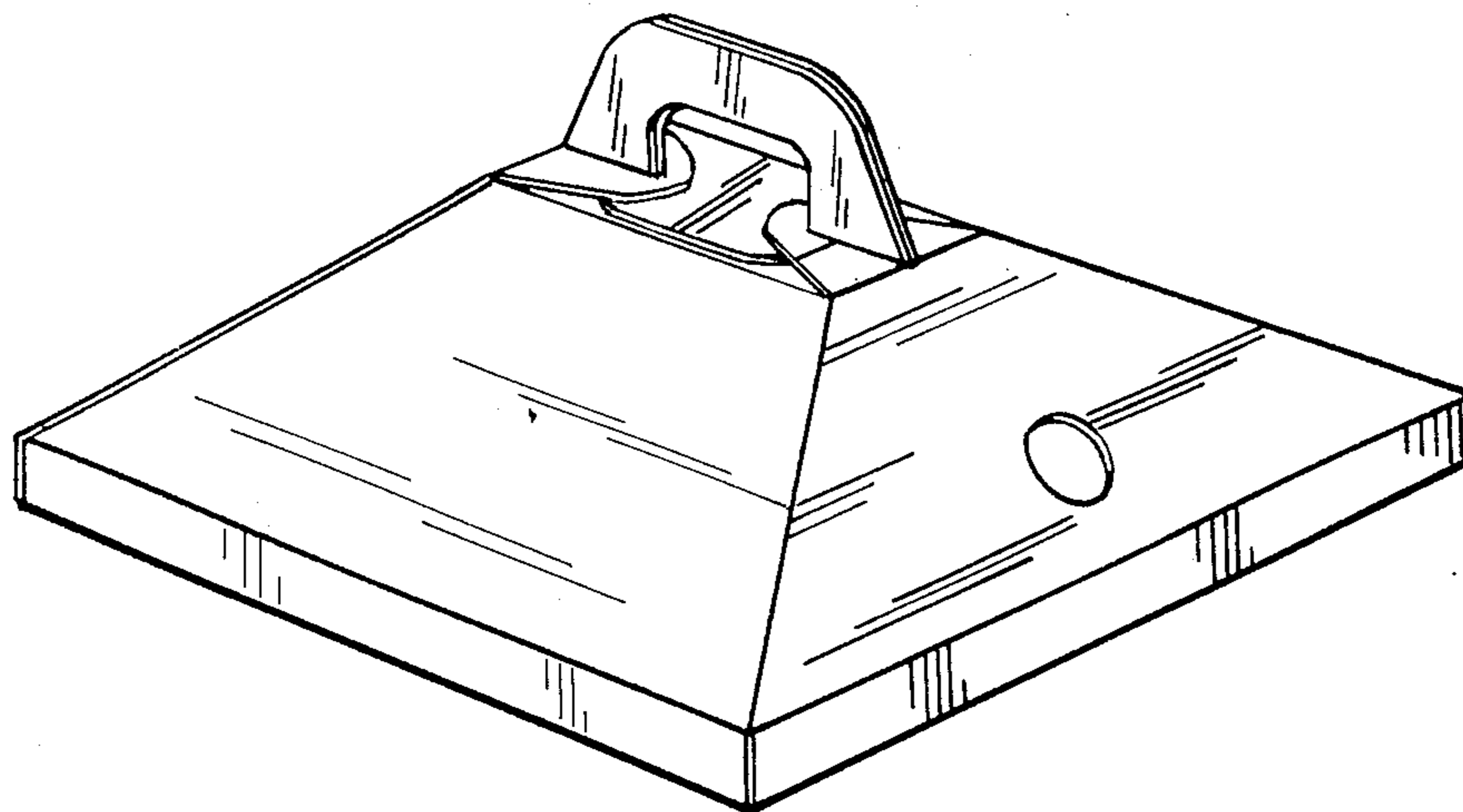
Primary Examiner—Robert C. Spangler
Attorney, Agent, or Firm—Arnold, White & Durkee

[57] **CLAIM**

The ornamental design for a carton, as shown and described.

DESCRIPTION

FIG. 1 is a top perspective view of a carton showing my new design;
FIG. 2 is a top plan view;
FIG. 3 is a side elevation; and
FIG. 4 is a plan view of the carton in an unfolded condition.
The broken lines represent fold lines.



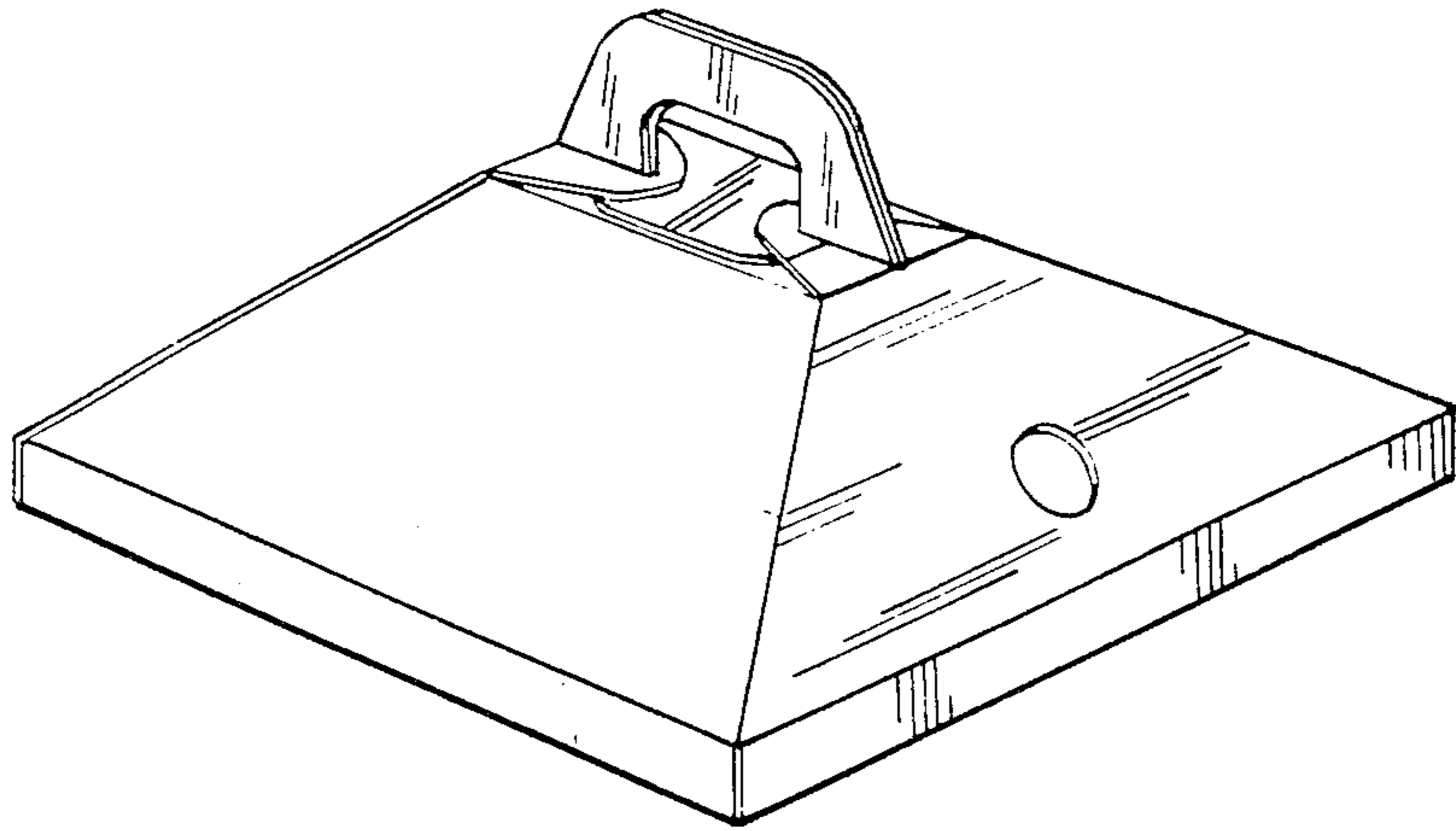


FIG. 1

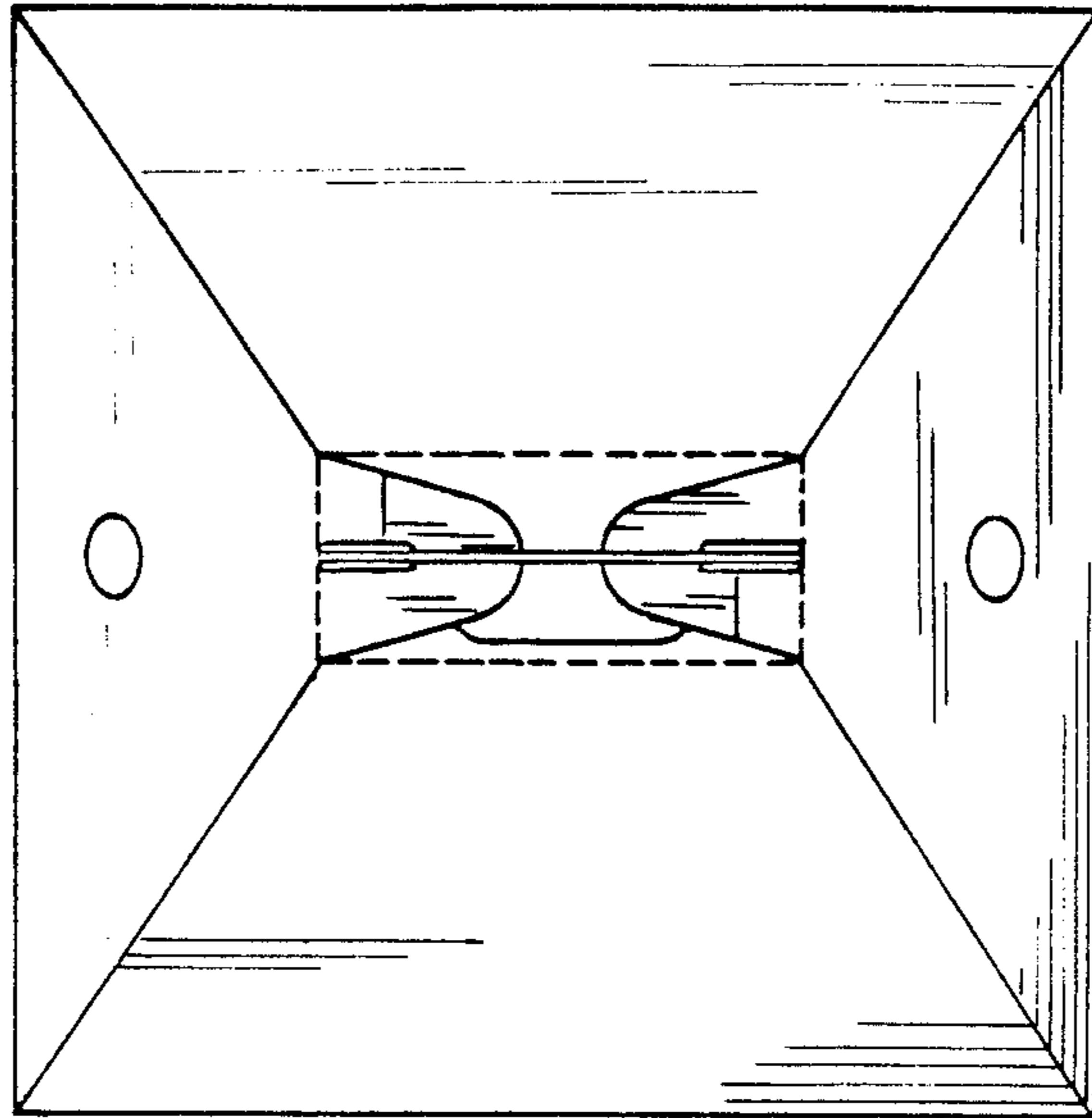


FIG. 2

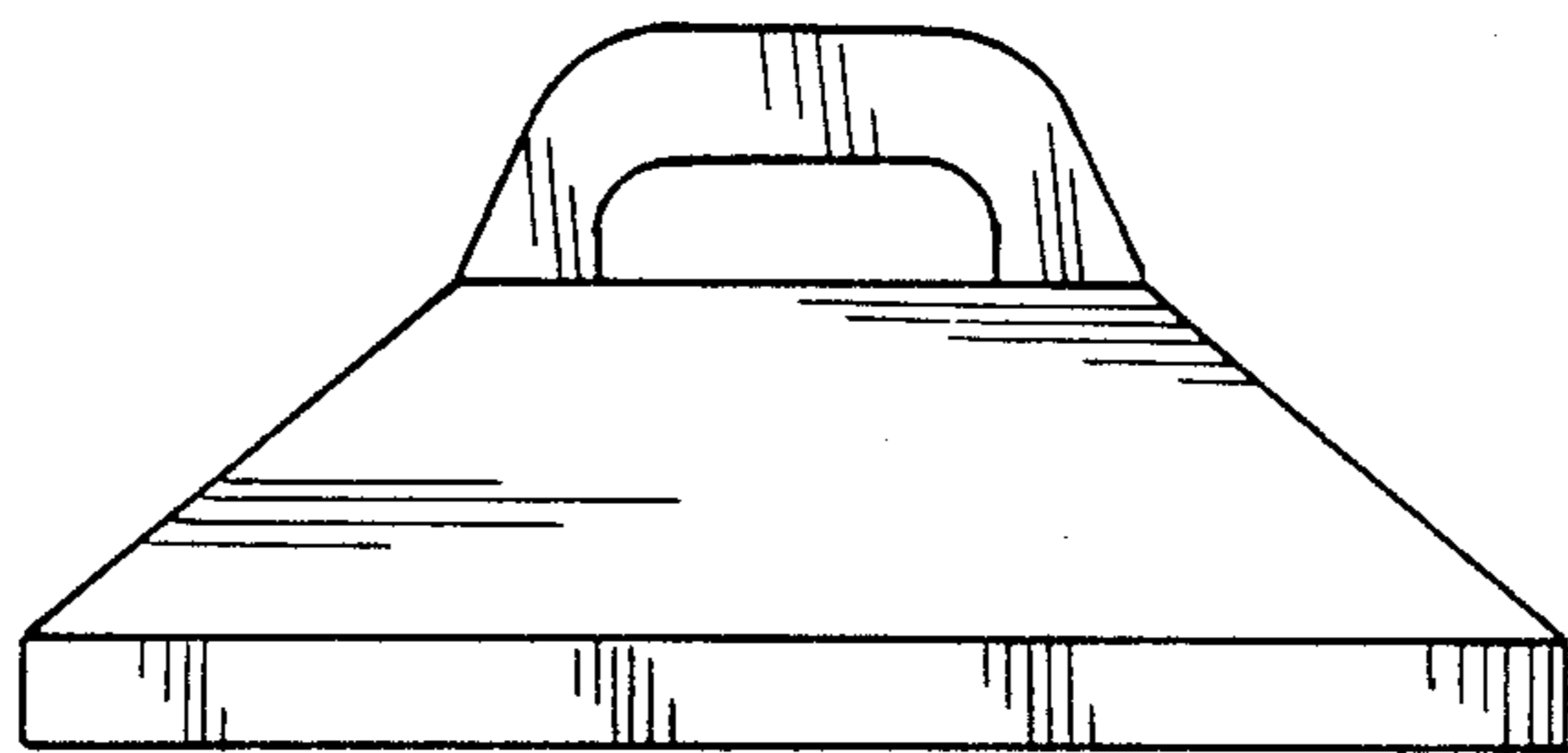


FIG. 3

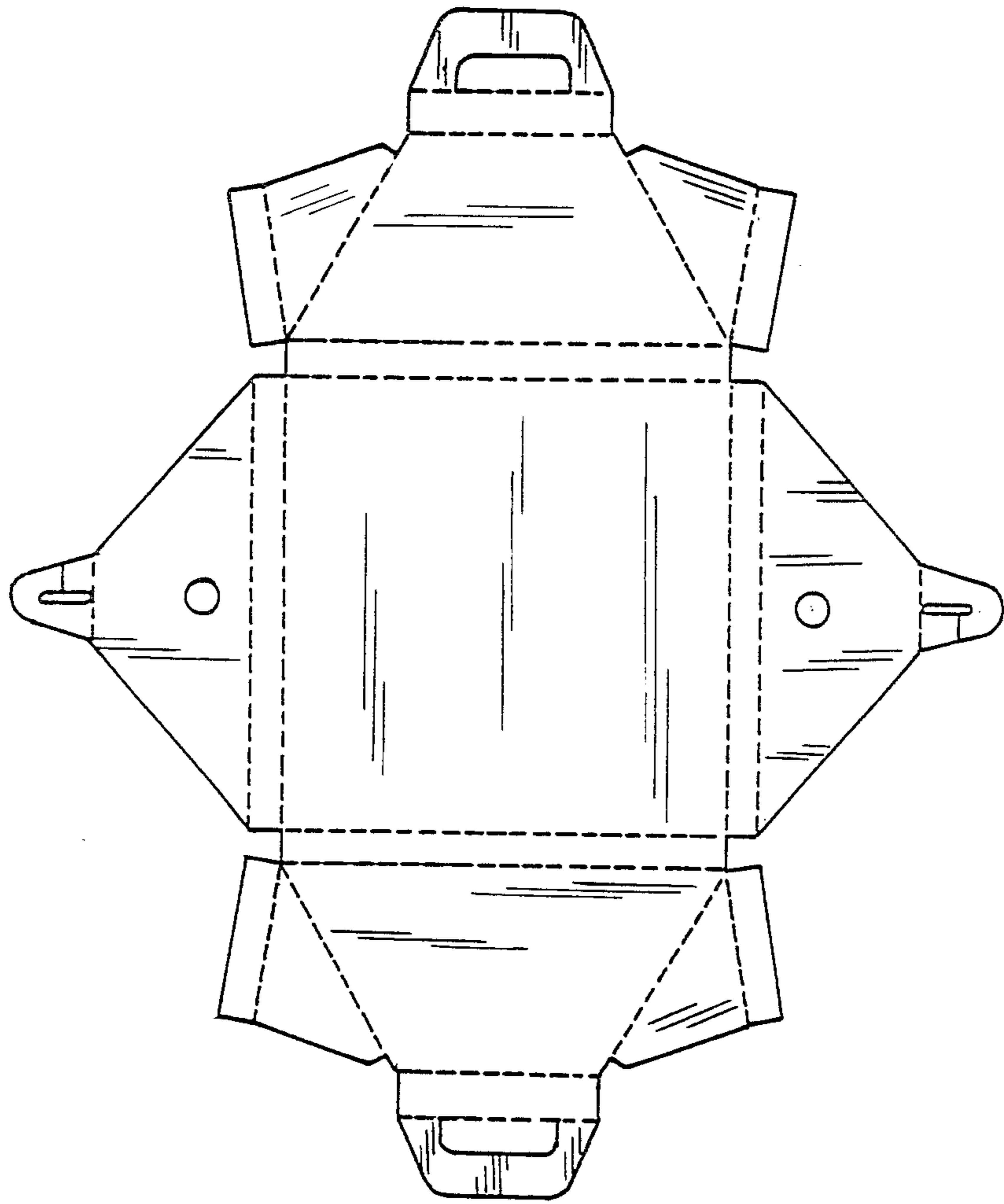


FIG. 4