

[54] SWIMGEAR PACKAGE
 [75] Inventor: Simon C. Fireman, Quincy, Mass.
 [73] Assignee: Aqua-Leisure Industries, Inc., Avon, Mass.
 [**] Term: 14 Years
 [21] Appl. No.: 513,303
 [22] Filed: Jul. 13, 1983
 [52] U.S. Cl. D9/337; D9/347; D9/415
 [58] Field of Search D9/347, 415, 337; 206/261-271

D. 268,167 3/1983 Fox D9/415
 D. 278,795 5/1985 Fireman D9/415 X
 4,191,293 3/1980 Newman 206/467

Primary Examiner—Robert C. Spangler
 Attorney, Agent, or Firm—James E. Mrose

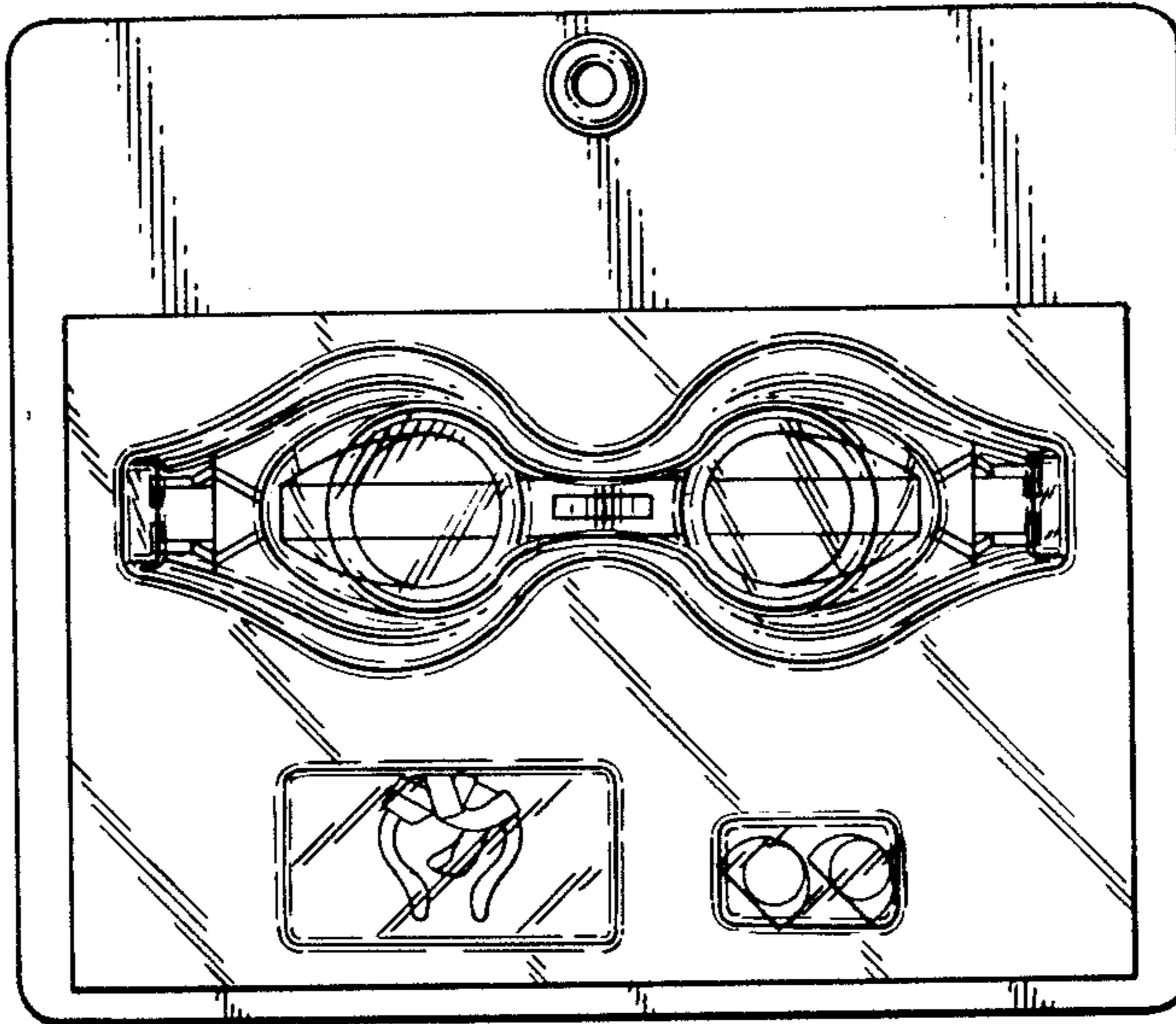
[57] CLAIM

The ornamental design for a swimgear package, substantially as shown.

DESCRIPTION

FIG. 1 is a perspective view of a swimgear package showing my new design;
 FIG. 2 is a front elevational view thereof;
 FIG. 3 is a top plan view thereof;
 FIG. 4 is a bottom plan view thereof;
 FIG. 5 is a rear elevational view thereof; and
 FIG. 6 is a side elevational view from the left of FIG. 2.

[56] References Cited
 U.S. PATENT DOCUMENTS
 D. 255,095 5/1980 Scalice D9/415



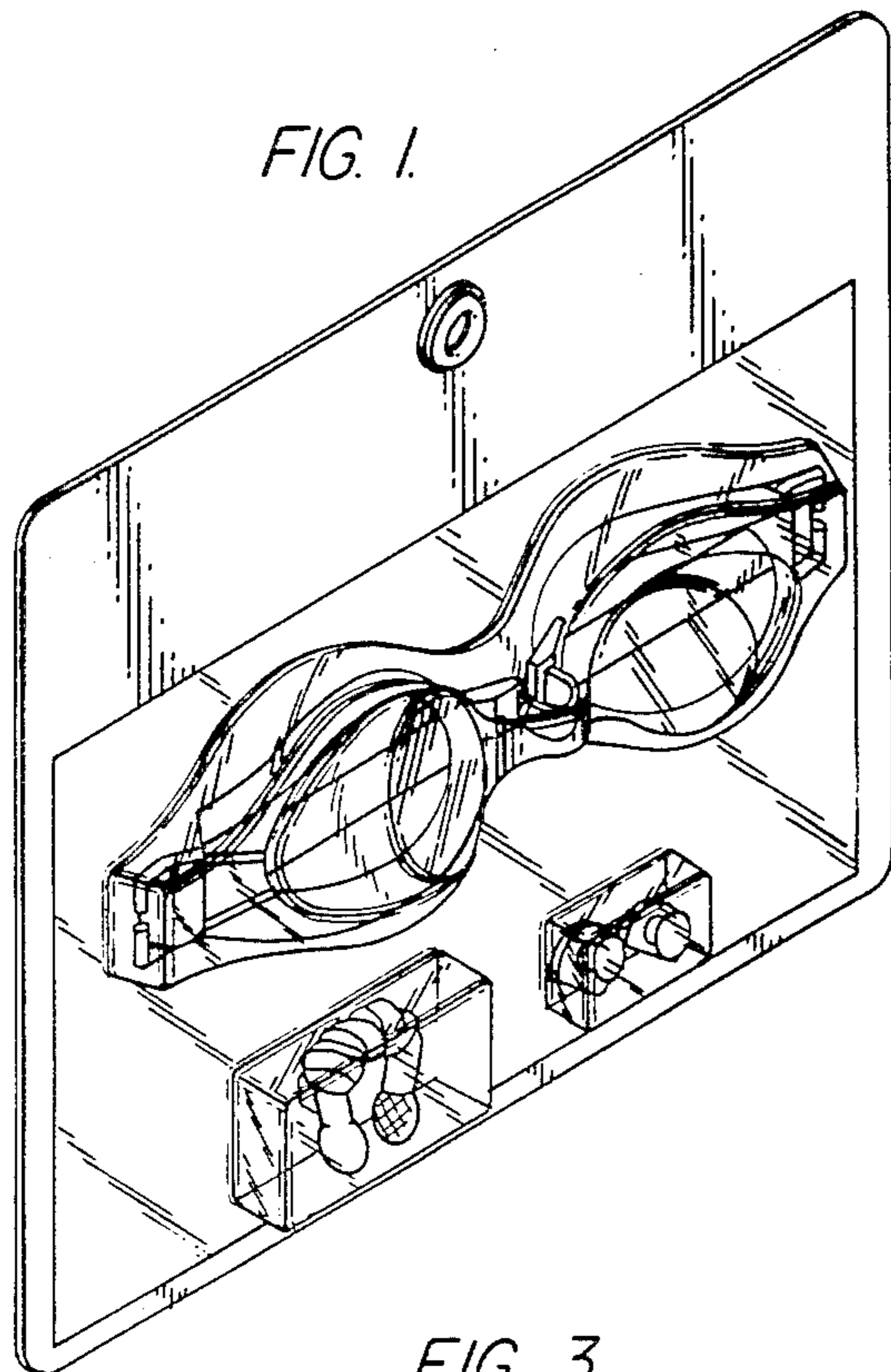


FIG. 1.

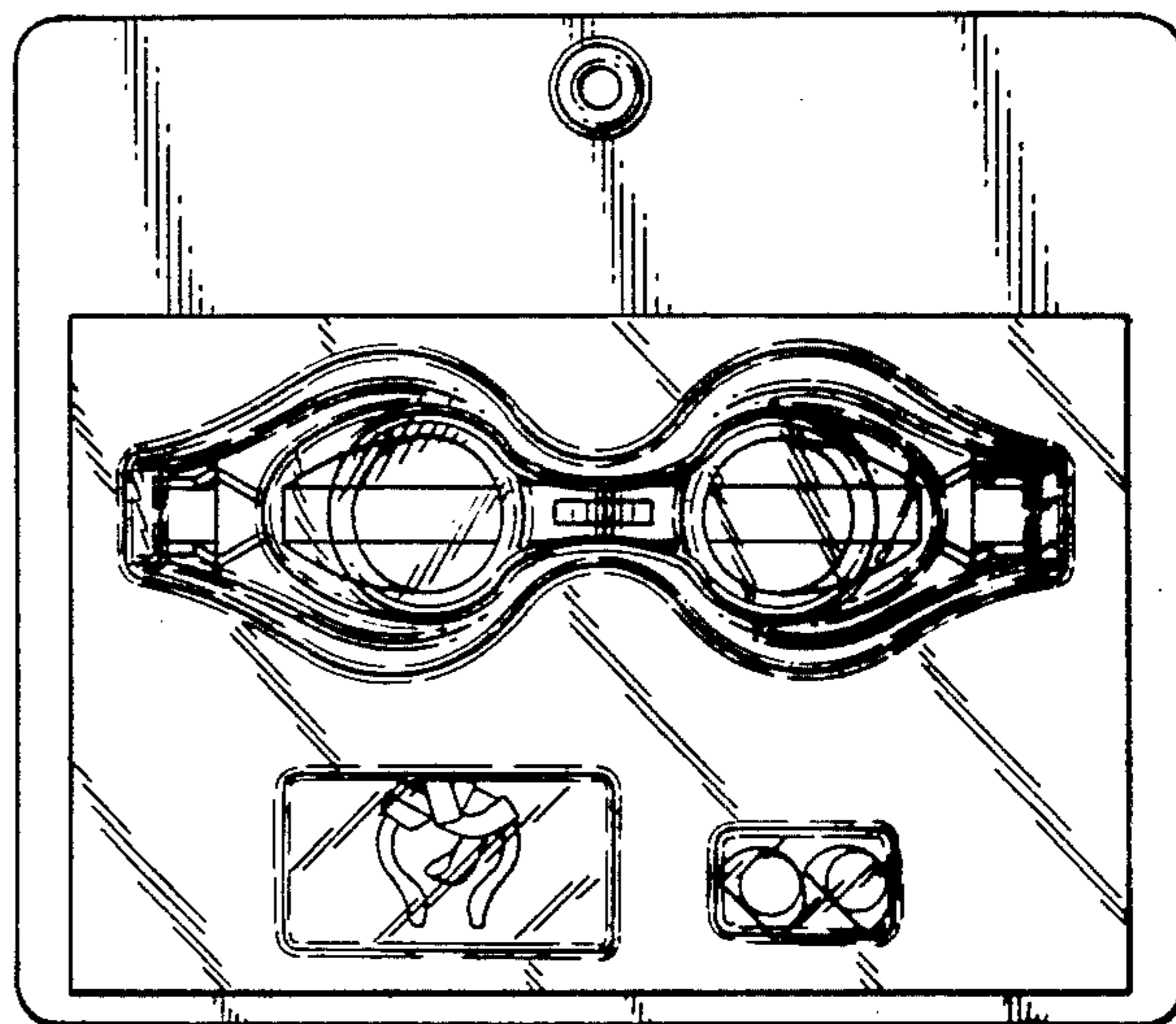


FIG. 2.

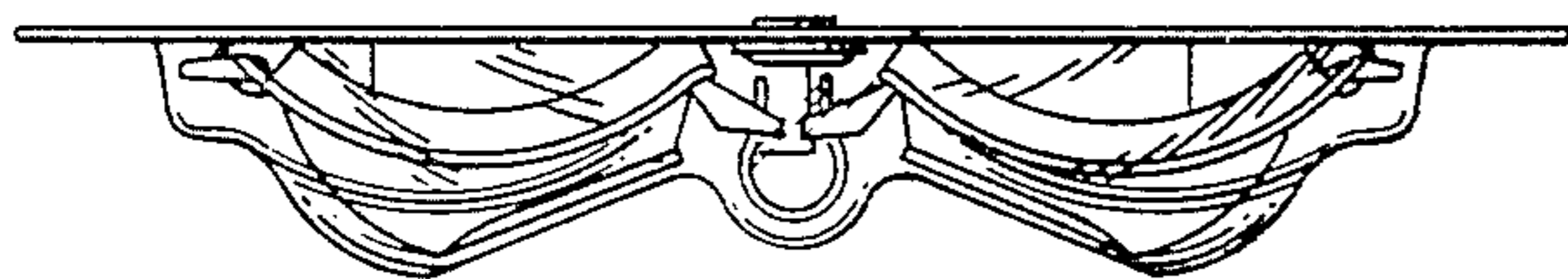


FIG. 3.

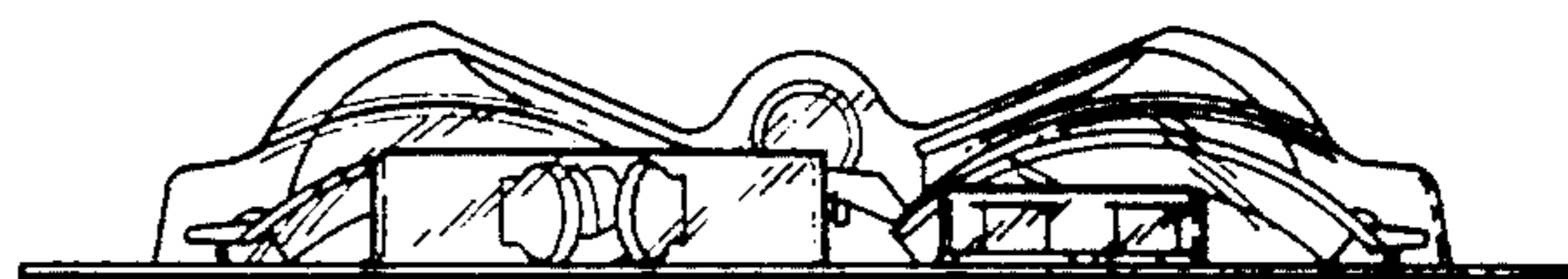


FIG. 4.

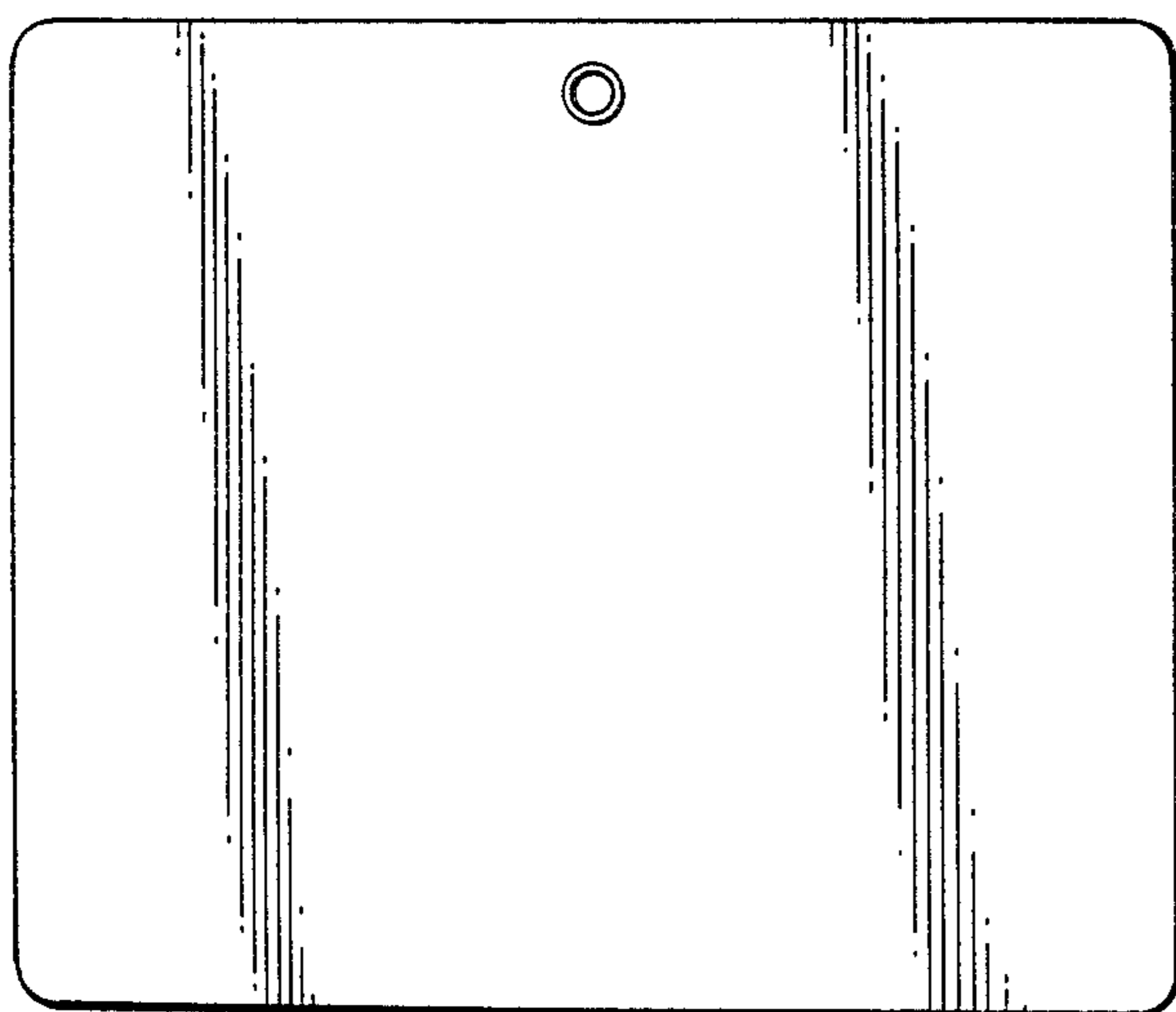


FIG. 5.

FIG. 6.

