

[54] TIRE REPAIR TOOL

[75] Inventors: Robert Flory, Weber Falls; Norman H. Bridge, Muskogee, both of Okla.

[73] Assignee: Bridge Products, Inc., Northbrook, Ill.

[\*\*] Term: 14 Years

[21] Appl. No.: 468,622

[22] Filed: Mar. 2, 1983

[52] U.S. Cl. .... D8/31; D8/107

[58] Field of Search ..... D8/14, 31, 32, 47, 89, D8/98, 107, 15, 42; 294/26, 61; 81/15.2, 15.5, 15.7, 15.8

[56] References Cited

U.S. PATENT DOCUMENTS

D. 194,834 3/1963 Parker et al. .... D8/107 X

681,089	8/1901	White .....	81/15.7
1,215,349	2/1917	Dierig .....	81/15.7
1,657,810	1/1928	Watson .....	81/15.7
2,729,124	1/1956	Farandatos .....	D8/42 X
3,945,273	3/1976	Wolk .....	D8/31 X

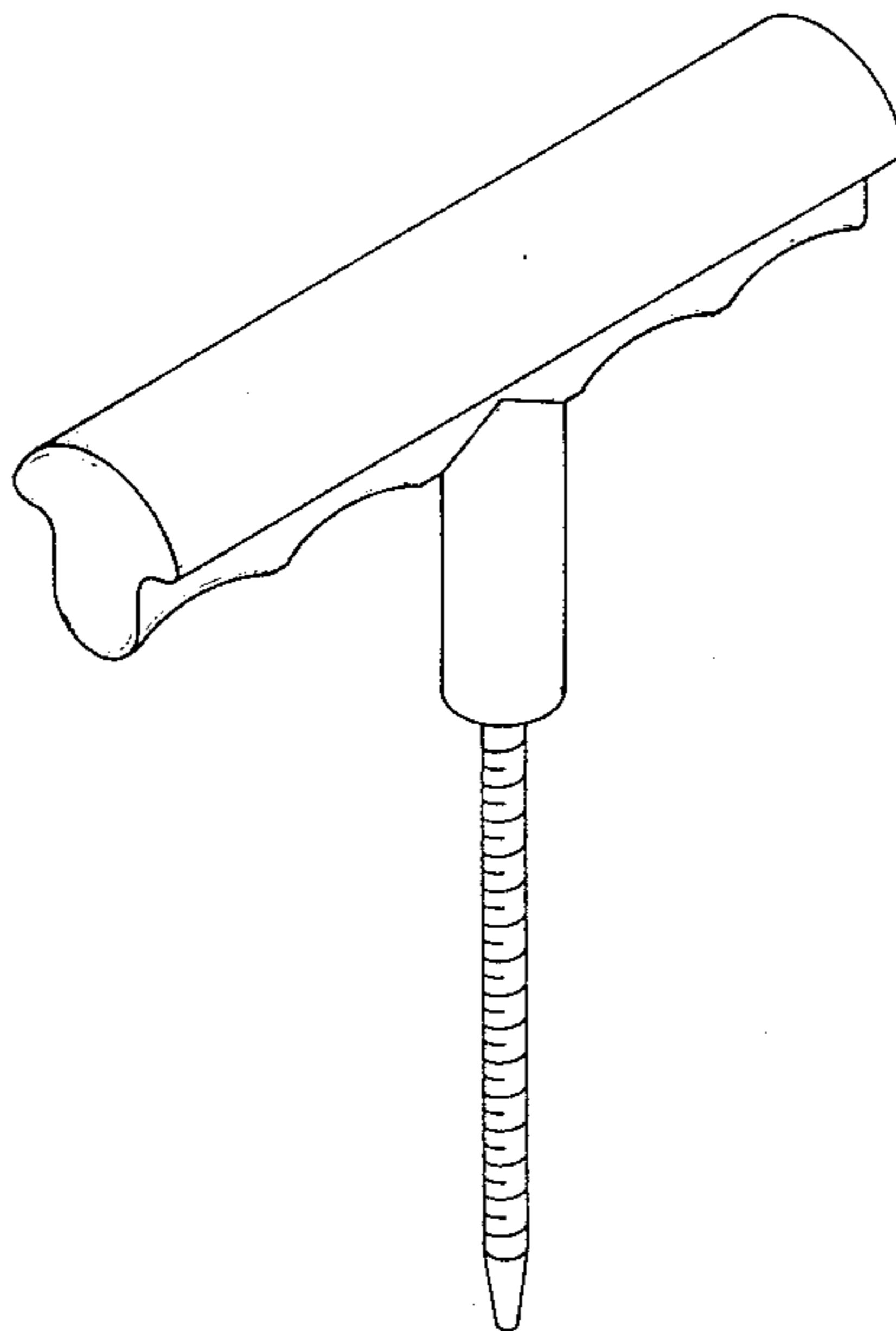
Primary Examiner—Susan J. Lucas  
Assistant Examiner—C. E. Heflin  
Attorney, Agent, or Firm—Welsh & Katz, Ltd.

[57] CLAIM

The ornamental design for a tire repair tool, as shown and described.

DESCRIPTION

FIG. 1 is a front view of the tire repair tool showing our new design, the rear view being identical;  
FIG. 2 is a side view thereof, the opposite side being identical;  
FIG. 3 is a perspective view thereof.



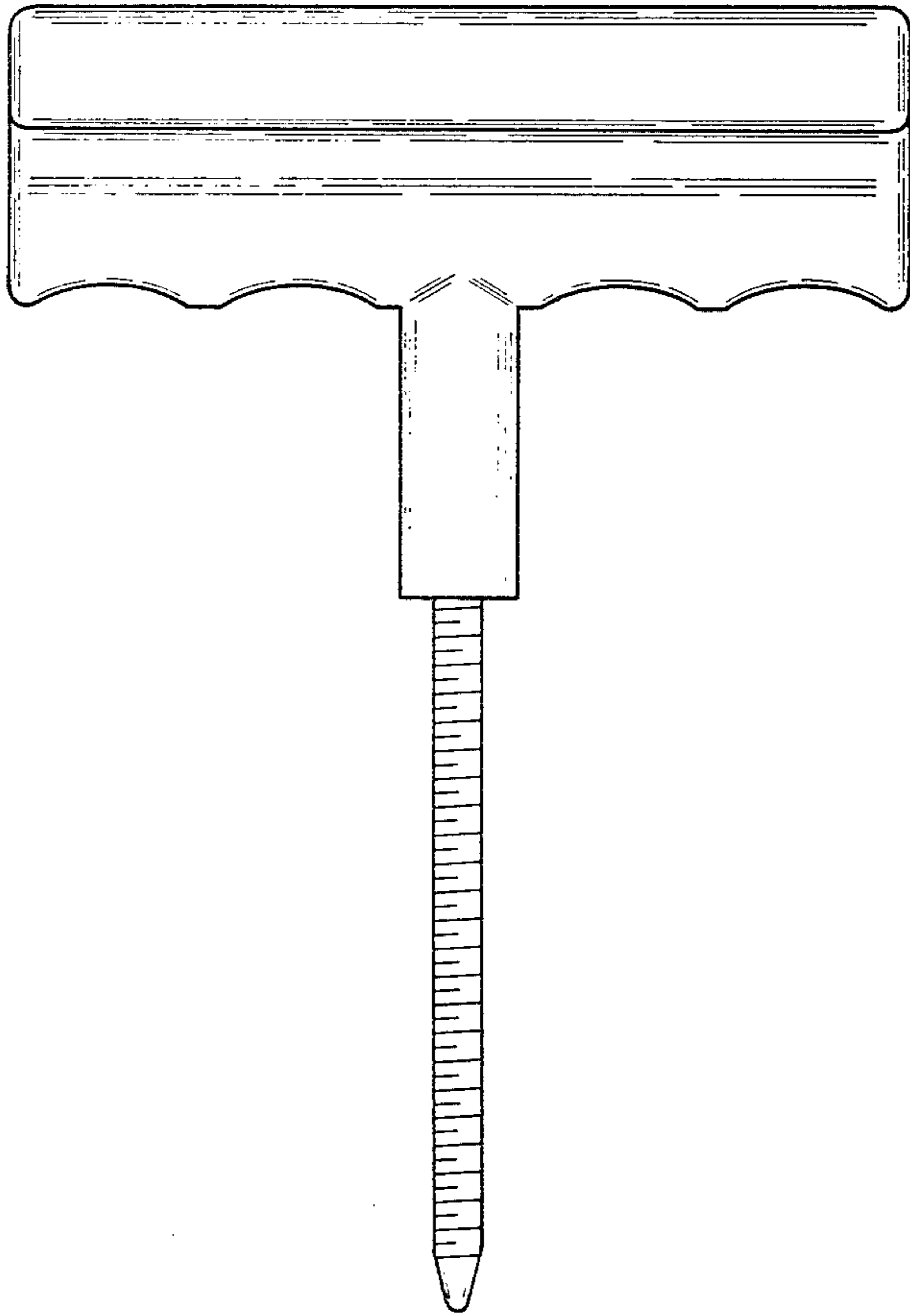


FIG. 1

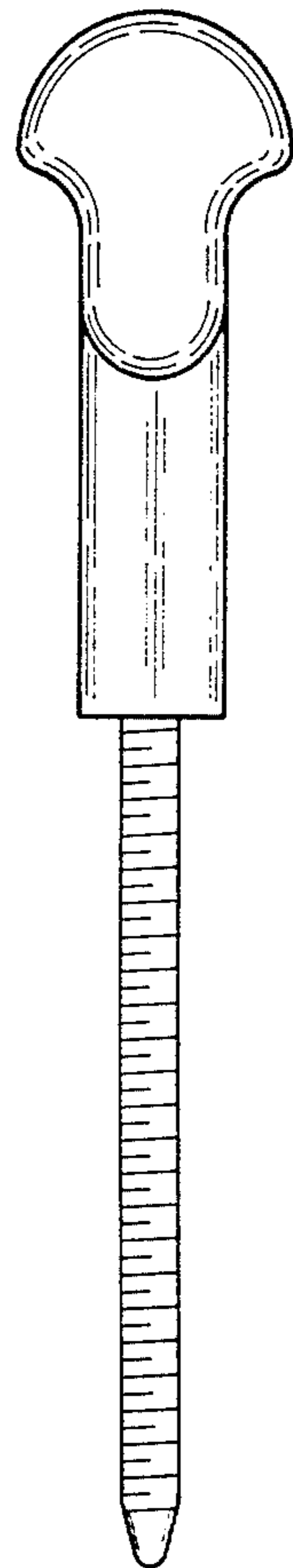


FIG. 2

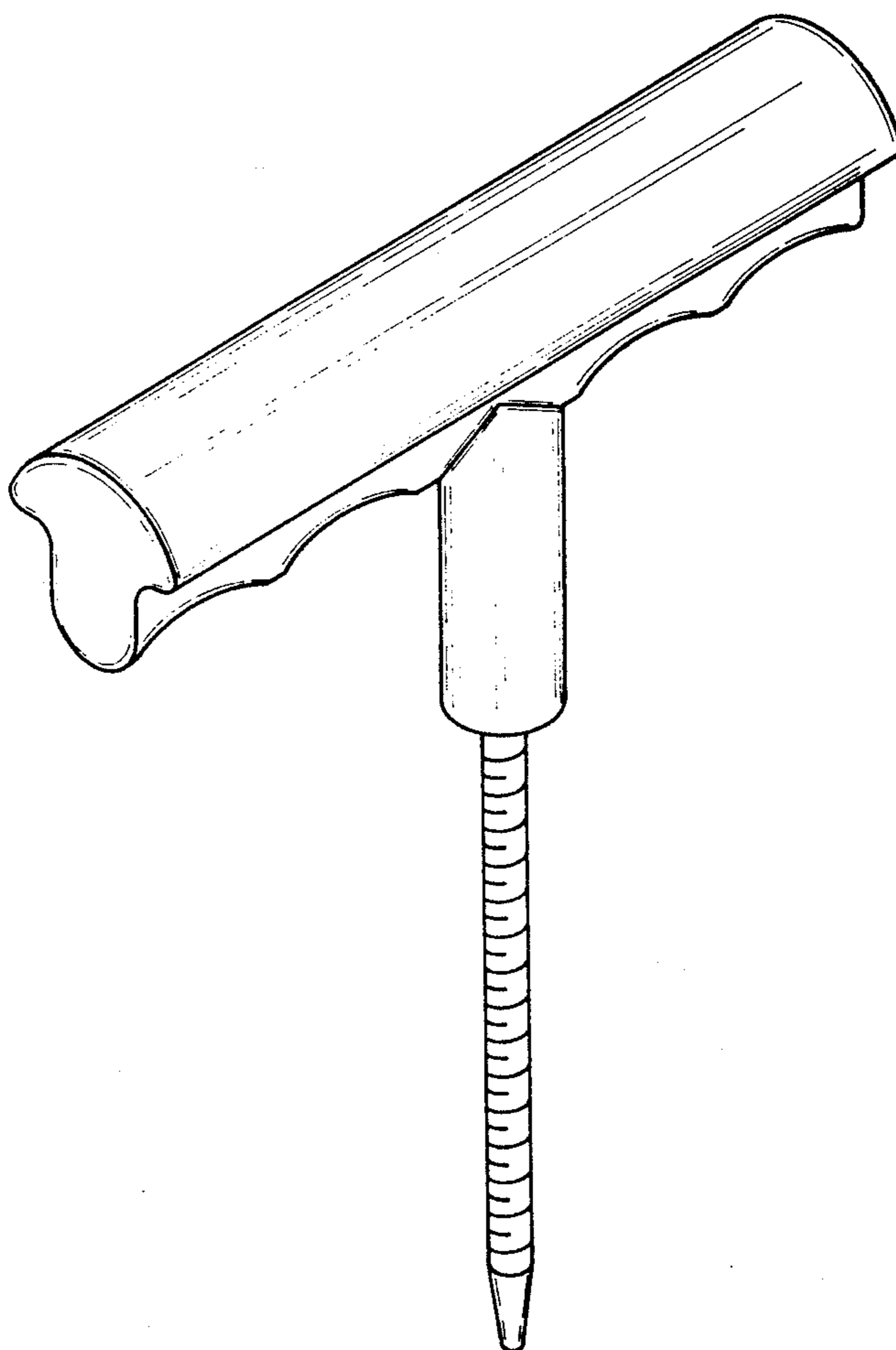


FIG. 3