

[54] COFFEE MAKER

D. 202,462 10/1965 Lofgren D7/309
D. 238,722 2/1976 Black D7/309

[75] Inventors: Douglas A. Albrecht; Donald L. Townsend, both of St. Louis, Mo.; Roger N. Underwood, Collinsville, Ill.

Primary Examiner—Winifred E. Herrmann
Attorney, Agent, or Firm—Rogers, Howell, Moore & Haferkamp

[73] Assignee: Enterprise Coffee & Supply Company, St. Louis, Mo.

[57] CLAIM

The ornamental design for a coffee maker, substantially as shown and described.

[**] Term: 14 Years

DESCRIPTION

[21] Appl. No.: 516,878

[22] Filed: Aug. 24, 1983

[52] U.S. Cl. D7/309

[58] Field of Search D7/300, 309, 306, 307, D7/308, 311; D20/1, 5, 4

FIG. 1 is a top, front, and right side perspective (orthogonal) view of a coffee maker showing our new design;

FIG. 2 is a left side elevational view thereof;

FIG. 3 is a top plan view thereof; and

FIG. 4 is a front elevational view thereof. The bottom is planar and unornamented.

[56] References Cited

U.S. PATENT DOCUMENTS

D. 194,091 11/1962 Ruhnke D7/309

The undisclosed rear of the coffee maker is conventional in appearance.

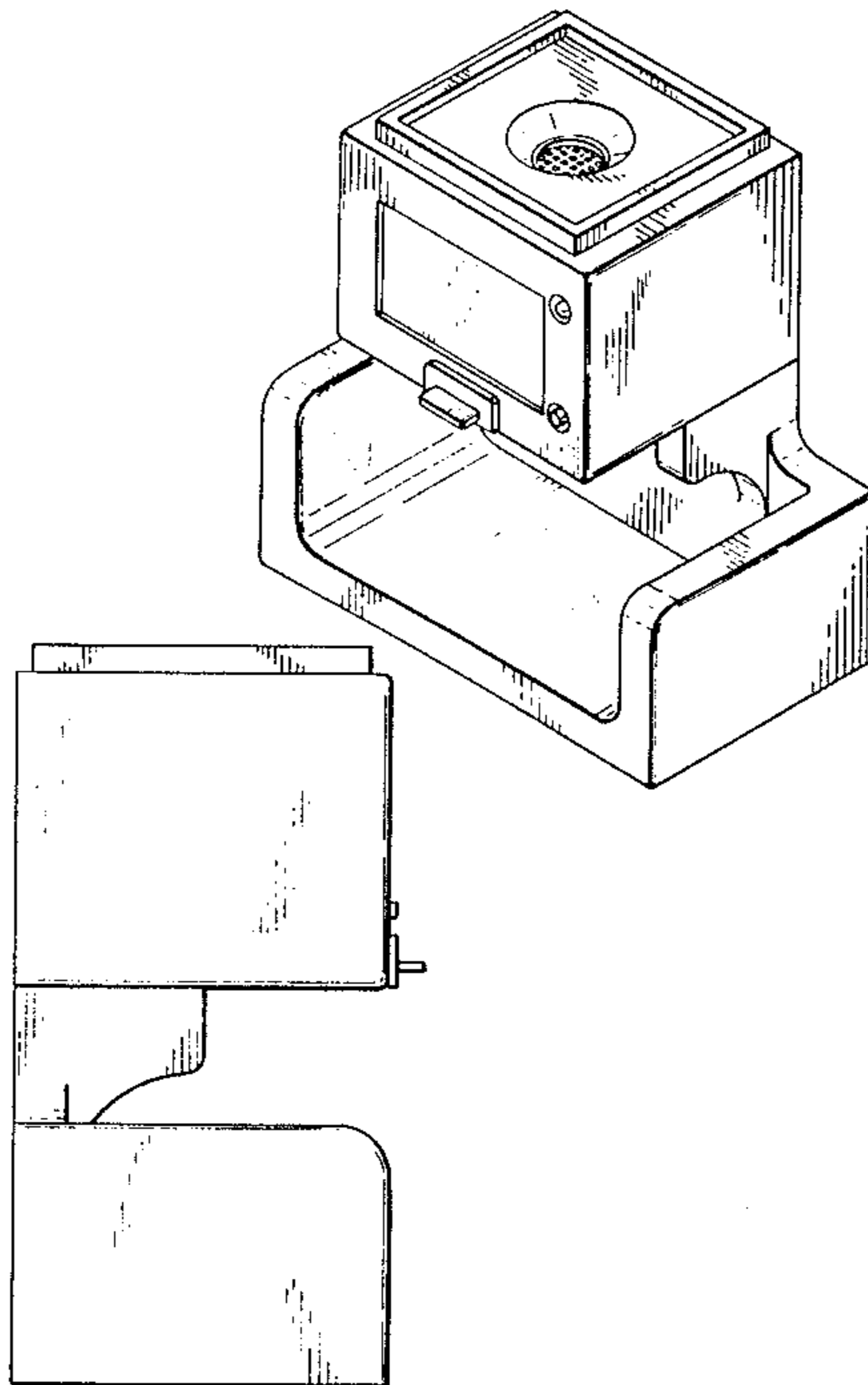


FIG. 1.

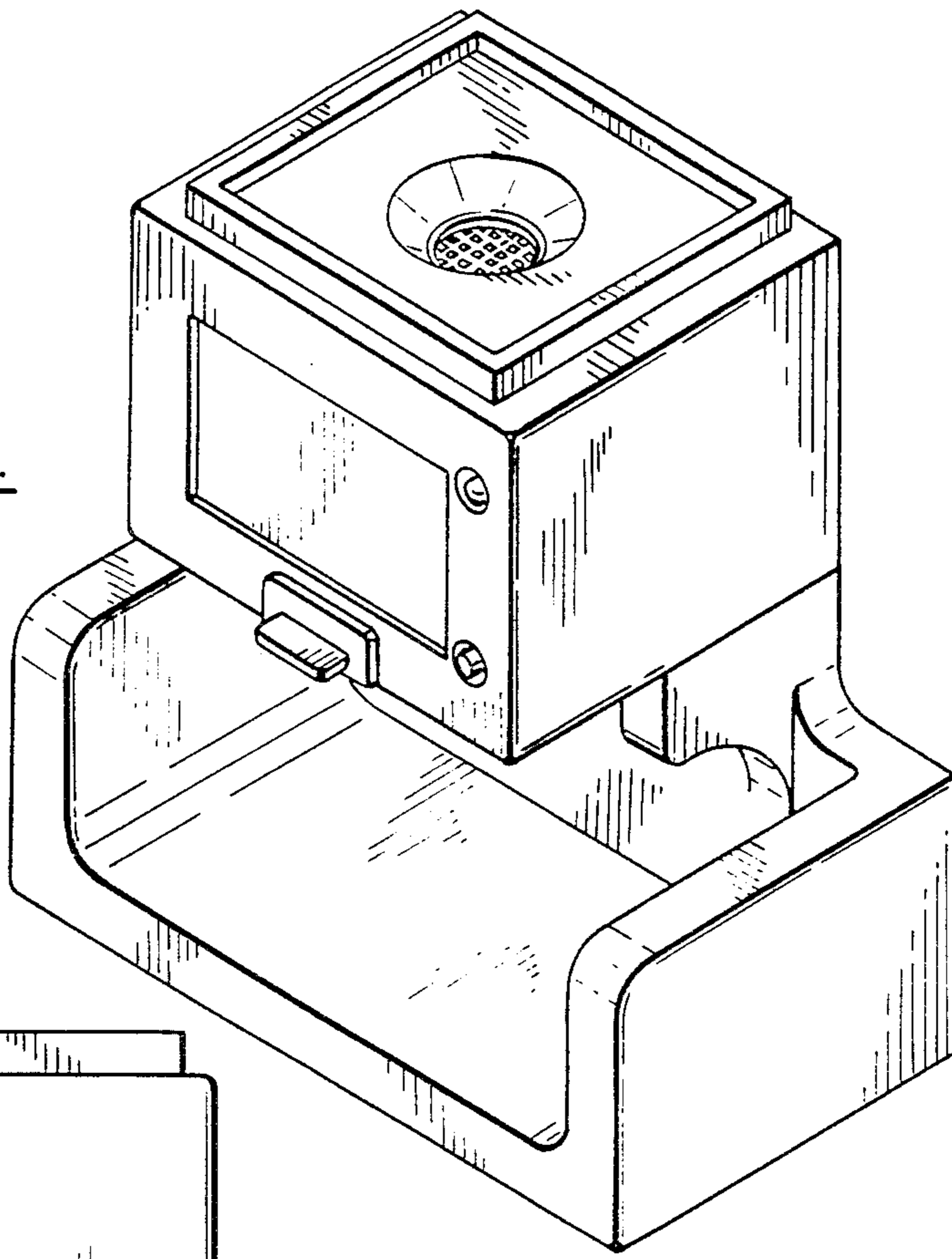


FIG. 2.

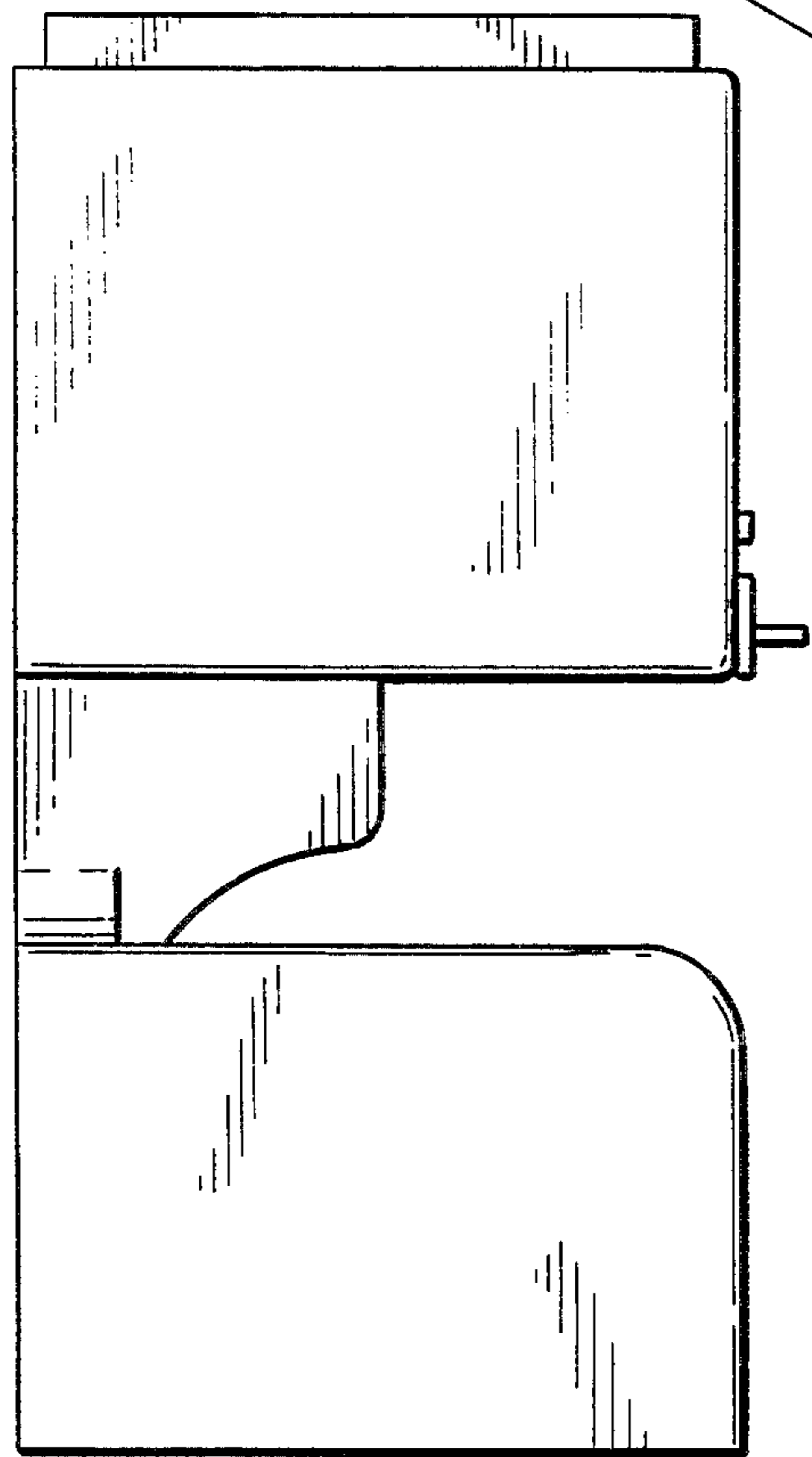


FIG. 3.

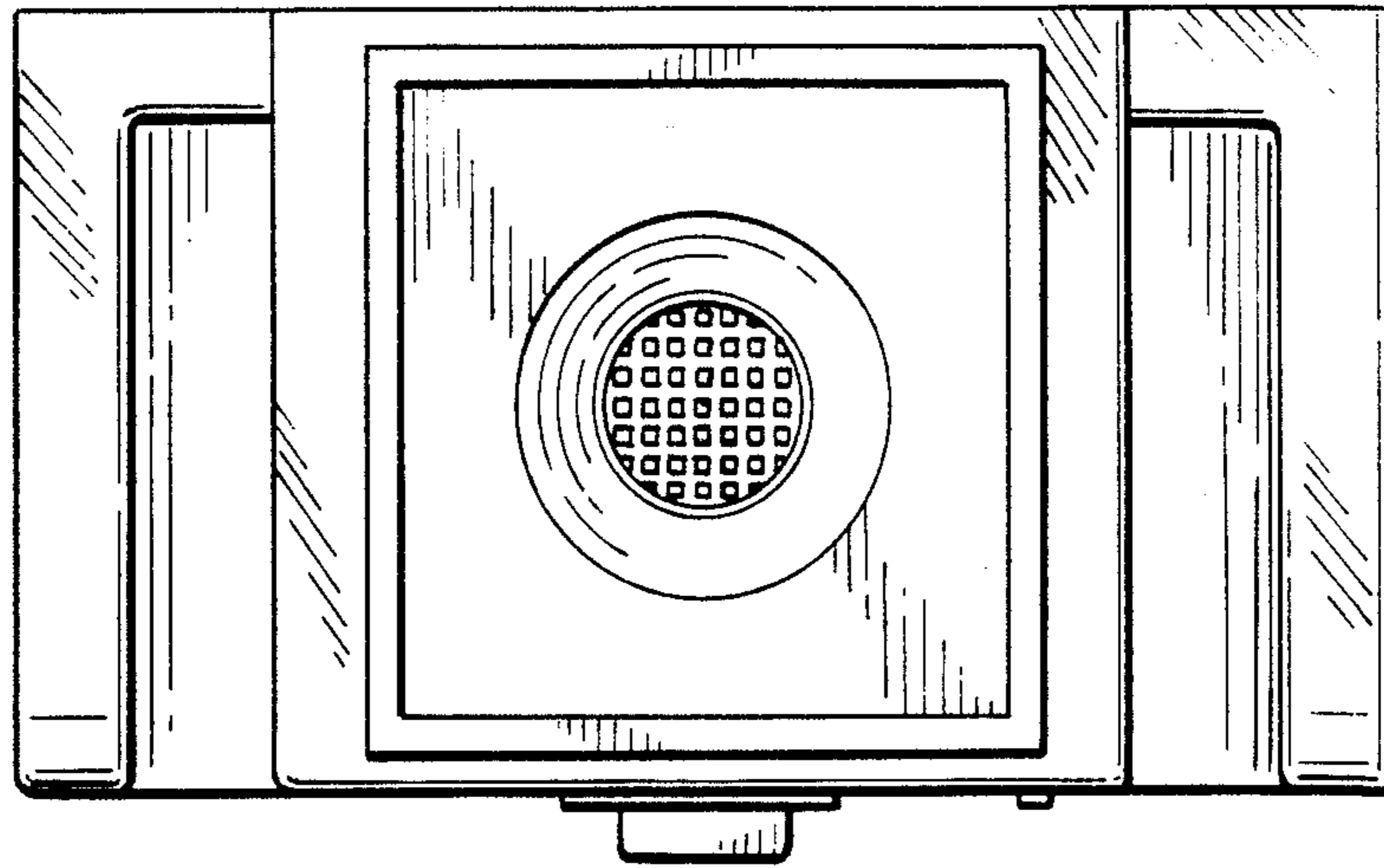


FIG. 4.

