

[54] **POT OR PAN RESTRAINT FOR ENGAGING THE RADIAL BARS OF RECREATIONAL VEHICLE STOVE TOP GRATINGS**

3,312,436	4/1967	Beghetto, Jr.	D7/70
3,372,688	3/1968	Moore	126/24
3,423,708	1/1969	Christian	126/24
3,583,384	6/1971	Ranisate	126/24

[76] Inventor: **Dominic J. DiFede**, 2431 Tartarian Way, Union City, Calif. 94587

Primary Examiner—Wallace R. Burke
Assistant Examiner—Lynn Wilder
Attorney, Agent, or Firm—Linval B. Castle

[**] Term: **14 Years**

[57] **CLAIM**

[21] Appl. No.: **492,054**

The ornamental design for a pot or pan restraint for engaging the radial bars of recreational vehicle stove top gratings, as shown.

[22] Filed: **May 6, 1983**

[52] U.S. Cl. **D7/70**

[58] Field of Search D7/70, 407; 126/24

DESCRIPTION

[56] **References Cited**

FIG. 1 is a perspective view of a pot or pan restraint for engaging stove top gratings showing my new design; FIG. 2 is a bottom plan view thereof. FIG. 3 is a bottom view thereof.

U.S. PATENT DOCUMENTS

2,968,888 1/1961 Borah D7/70

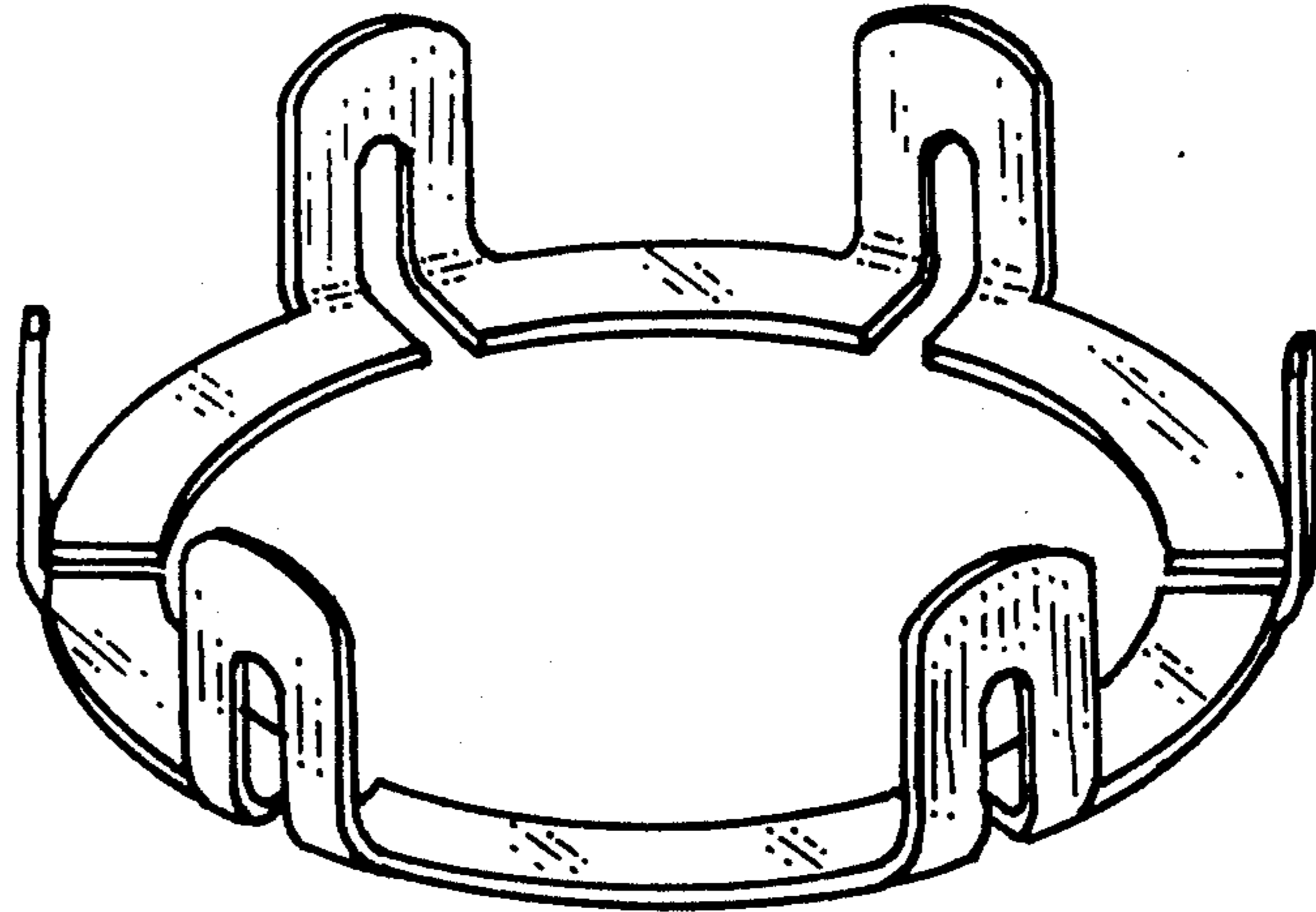




FIG-2-

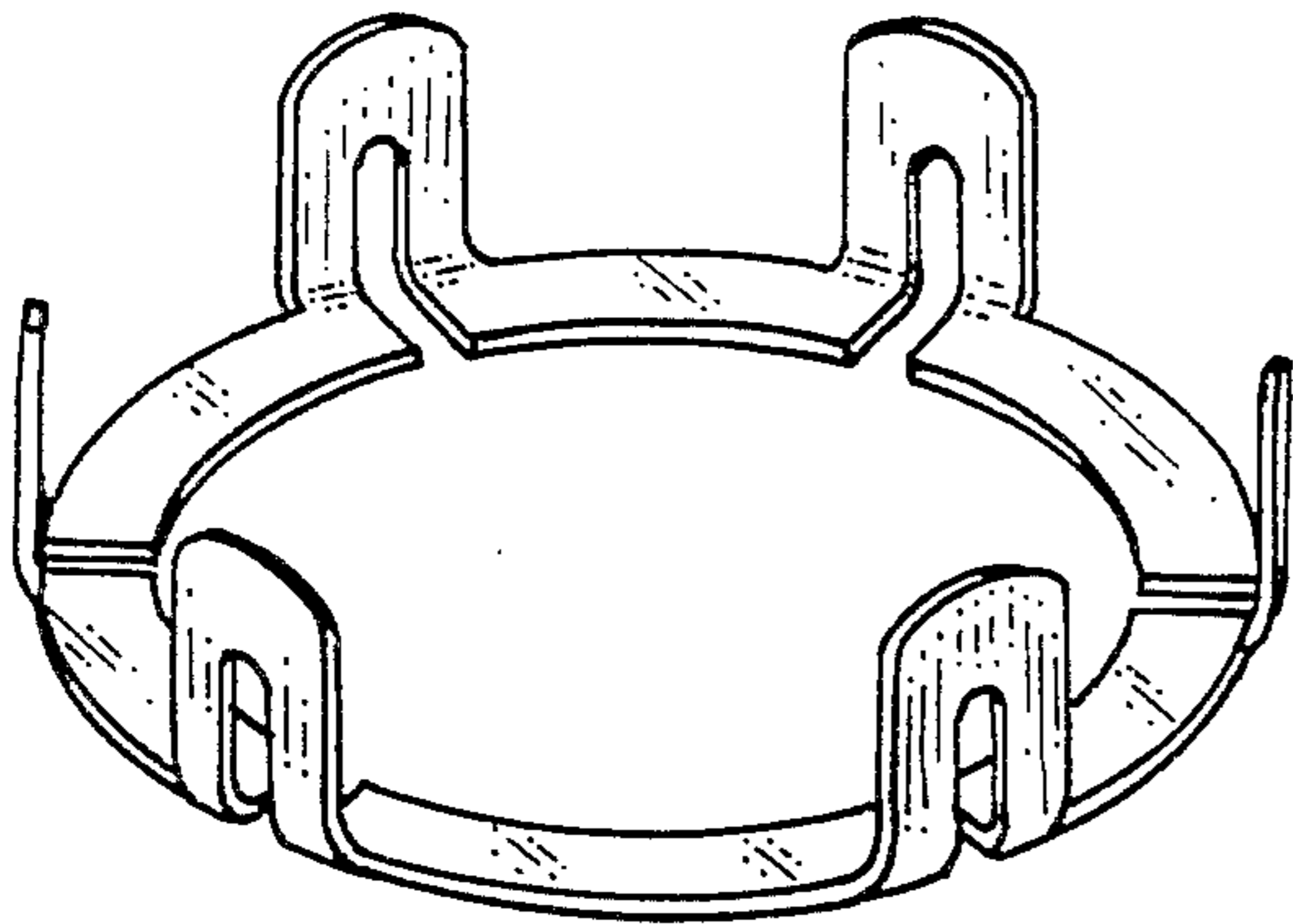


FIG-1-

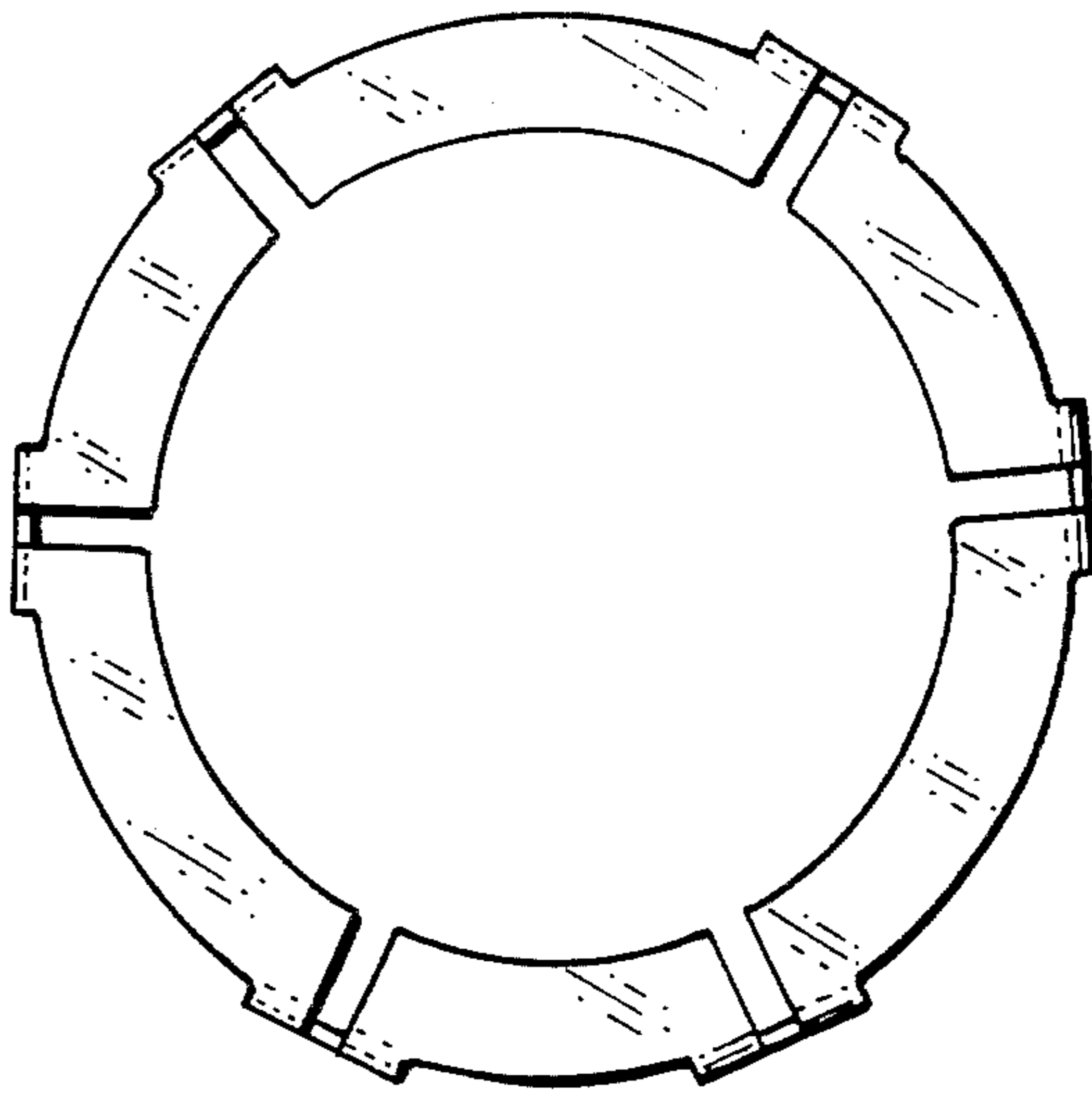


FIG-3-