

[54] DRINK CONTAINER HOLDER  
 [76] Inventor: Steven M. Maus, 16220 Territorial Rd., Osseo, Minn. 55369  
 [\*\*] Term: 14 Years  
 [21] Appl. No.: 499,267  
 [22] Filed: May 31, 1983  
 [52] U.S. Cl. .... D6/573; D6/535; D8/373  
 [58] Field of Search ..... D6/524, 535, 553, 556; D8/373; 248/311.2; 211/75, 88

4,508,303 4/1985 Beckerer, Jr. .... 248/311.2

OTHER PUBLICATIONS

Form, 9/1979, p. 95, Tumbler Holder in right side.

Primary Examiner—B. J. Bullock

Assistant Examiner—Suzanne N. Gitlin

Attorney, Agent, or Firm—Burd, Bartz & Gutenkauf

[57] CLAIM

The ornamental design for a drink container holder, as shown and described.

DESCRIPTION

FIG. 1 is a perspective view of a drink container holder showing my new design;

FIG. 2 is a top plan view thereof;

FIG. 3 is a front elevational view thereof;

FIG. 4 is a side elevational view taken from the right of FIG. 1, the opposite side being a mirror image;

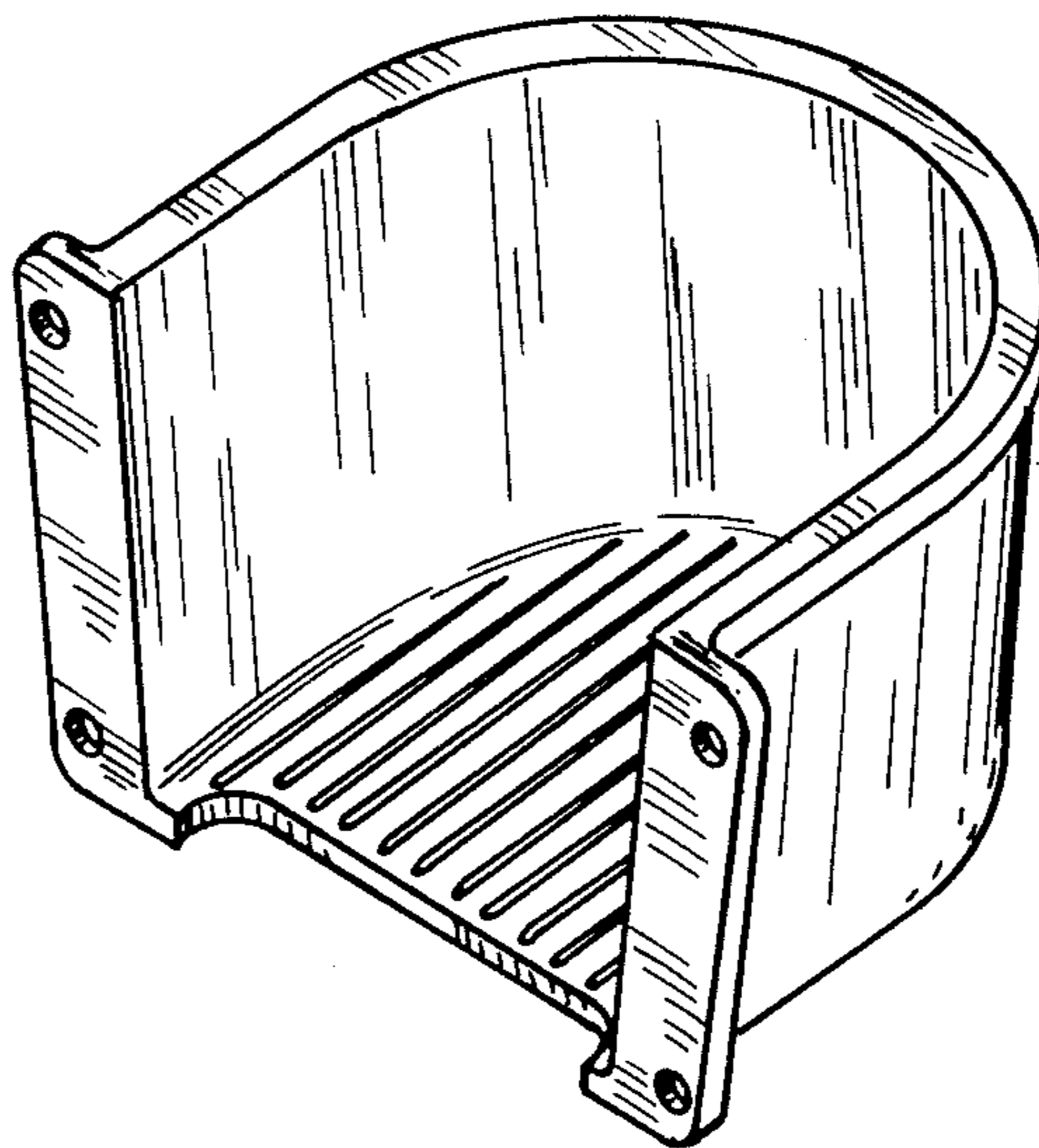
FIG. 5 is a rear elevational view thereof;

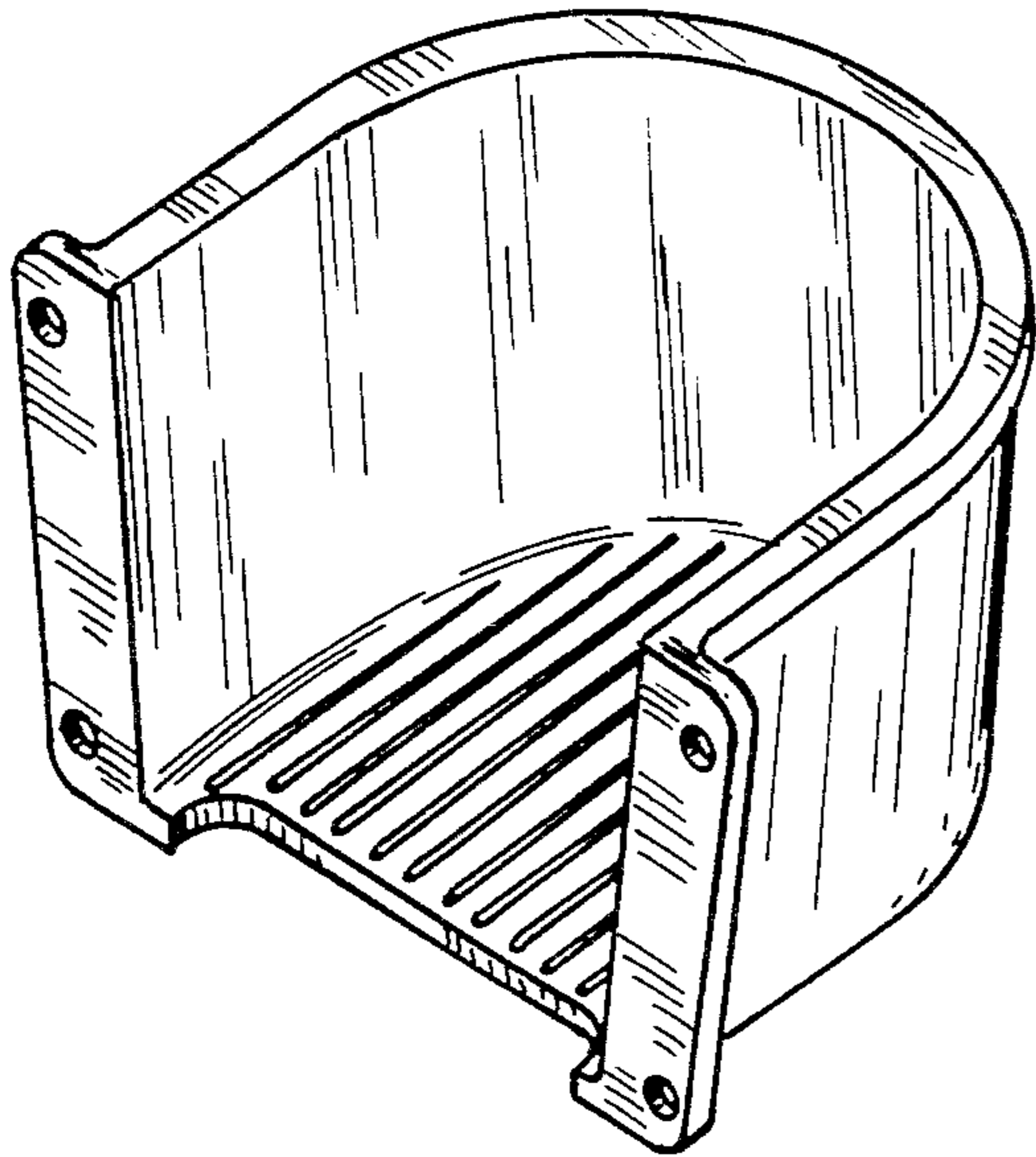
FIG. 6 is a bottom plan view thereof.

[56] References Cited

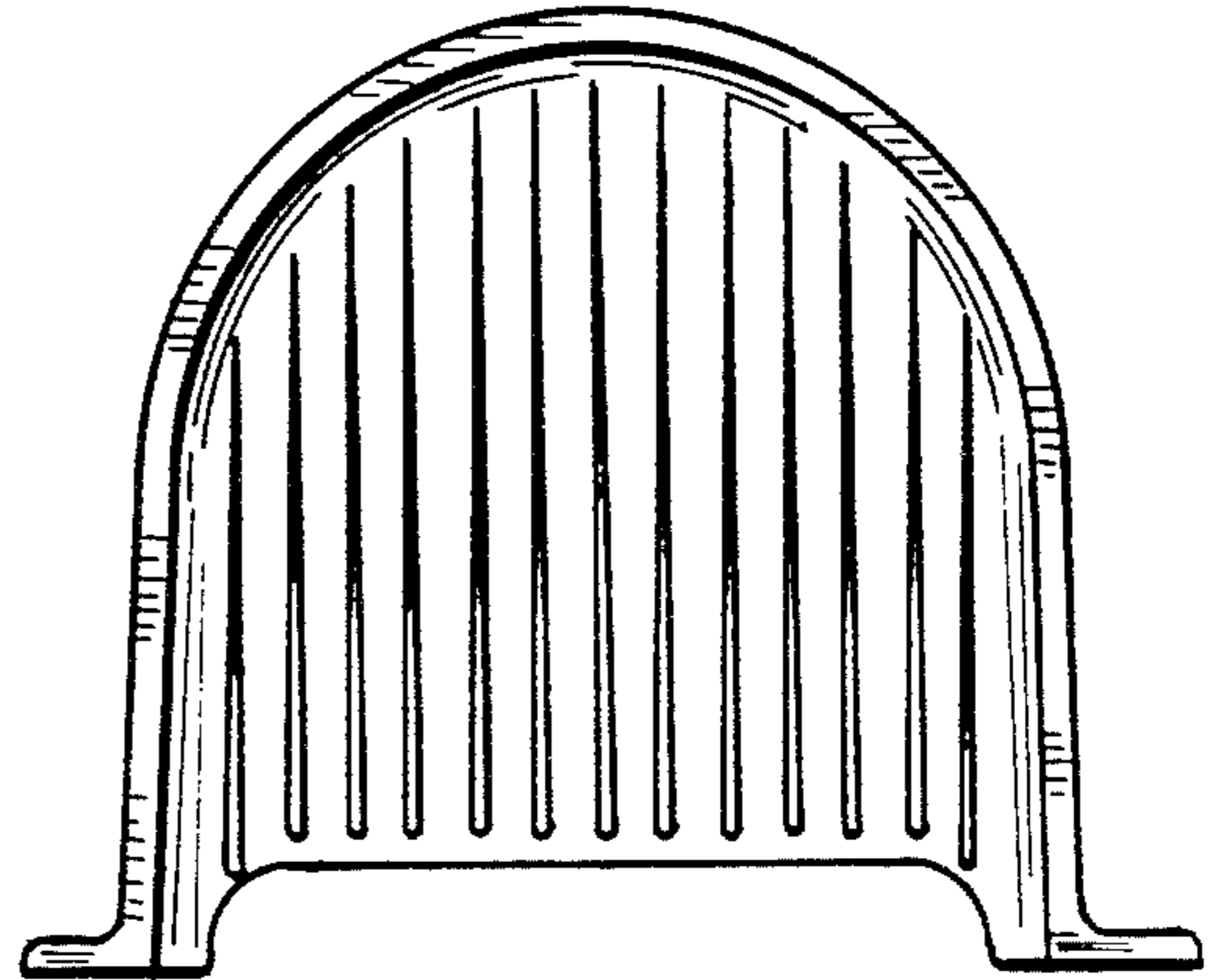
U.S. PATENT DOCUMENTS

D. 237,836	11/1975	Anderson	.....	D8/373
D. 247,812	5/1978	Olivan	.....	D6/573
D. 257,924	1/1981	Rubig	.....	D6/573
D. 276,293	11/1984	Borach	.....	D6/535
1,743,831	1/1930	Scheirr	.....	248/300

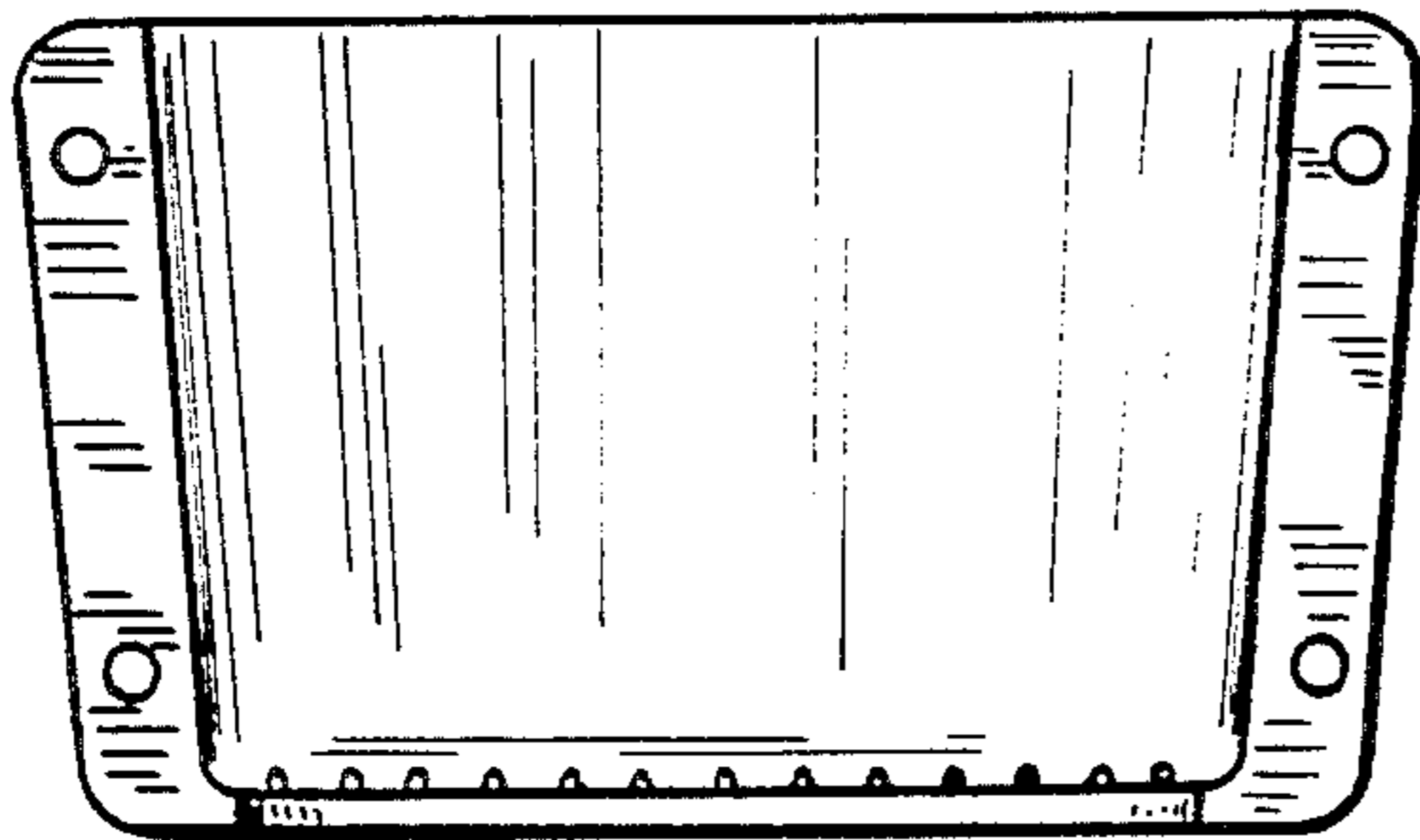




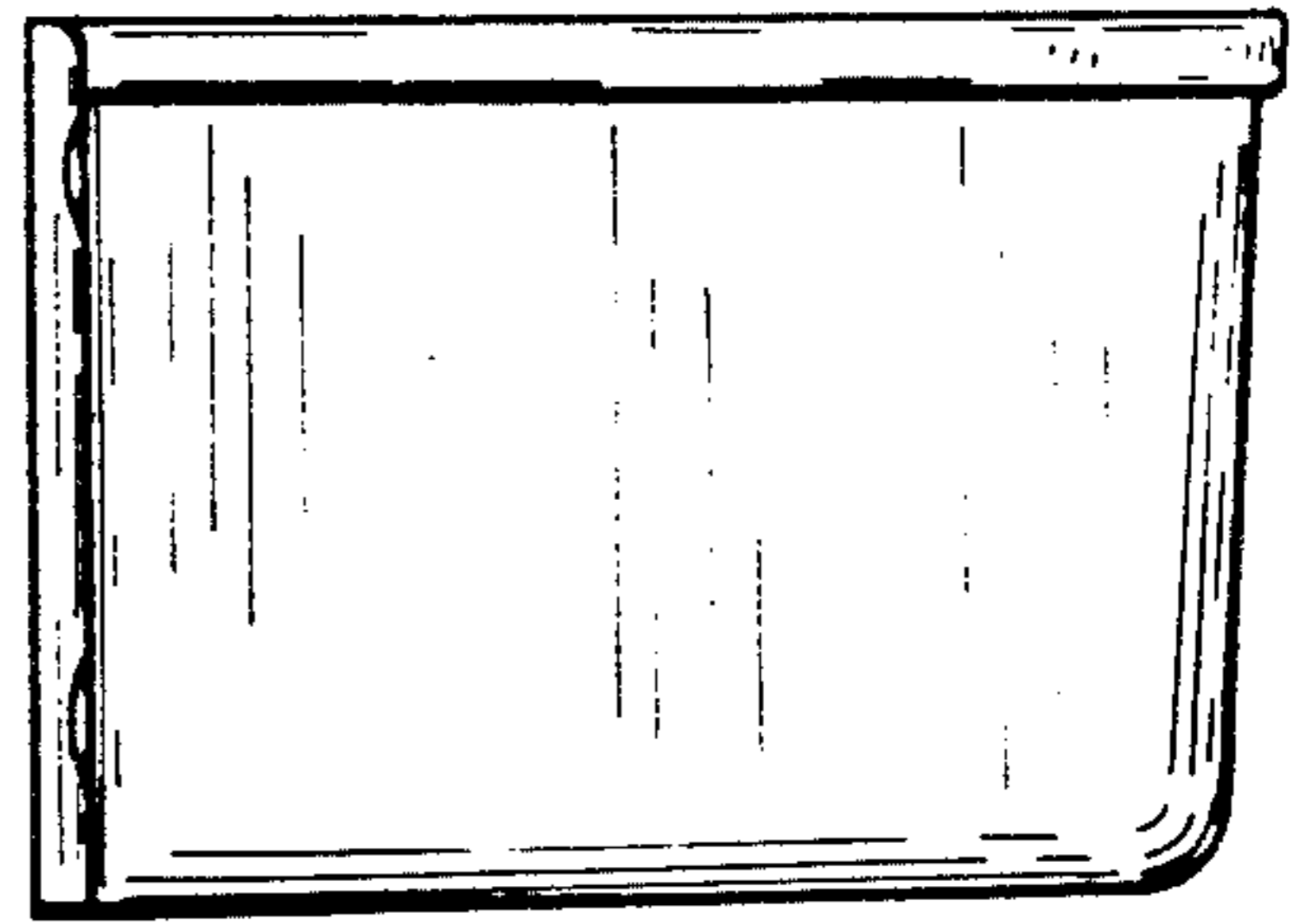
**FIG. 1**



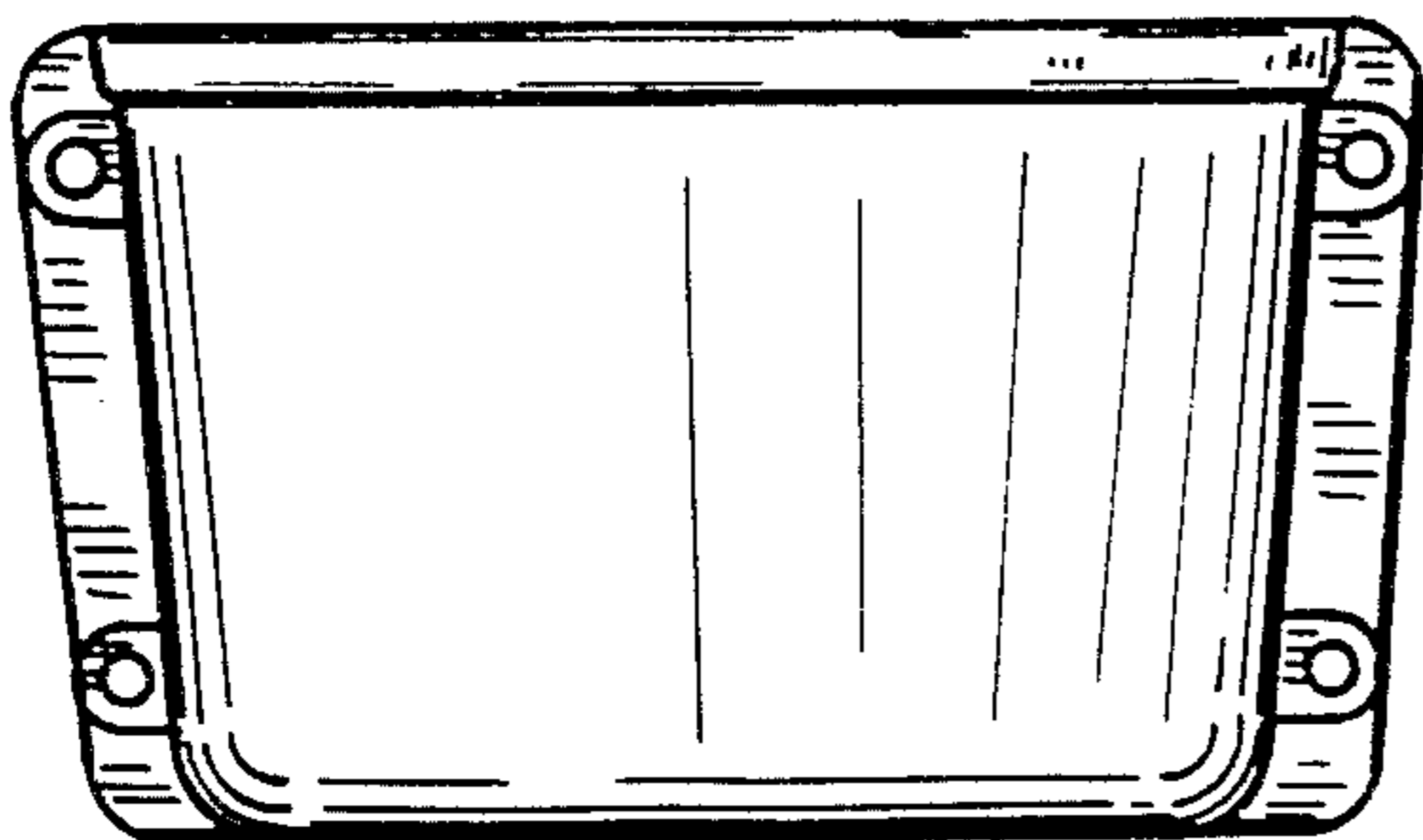
**FIG. 2**



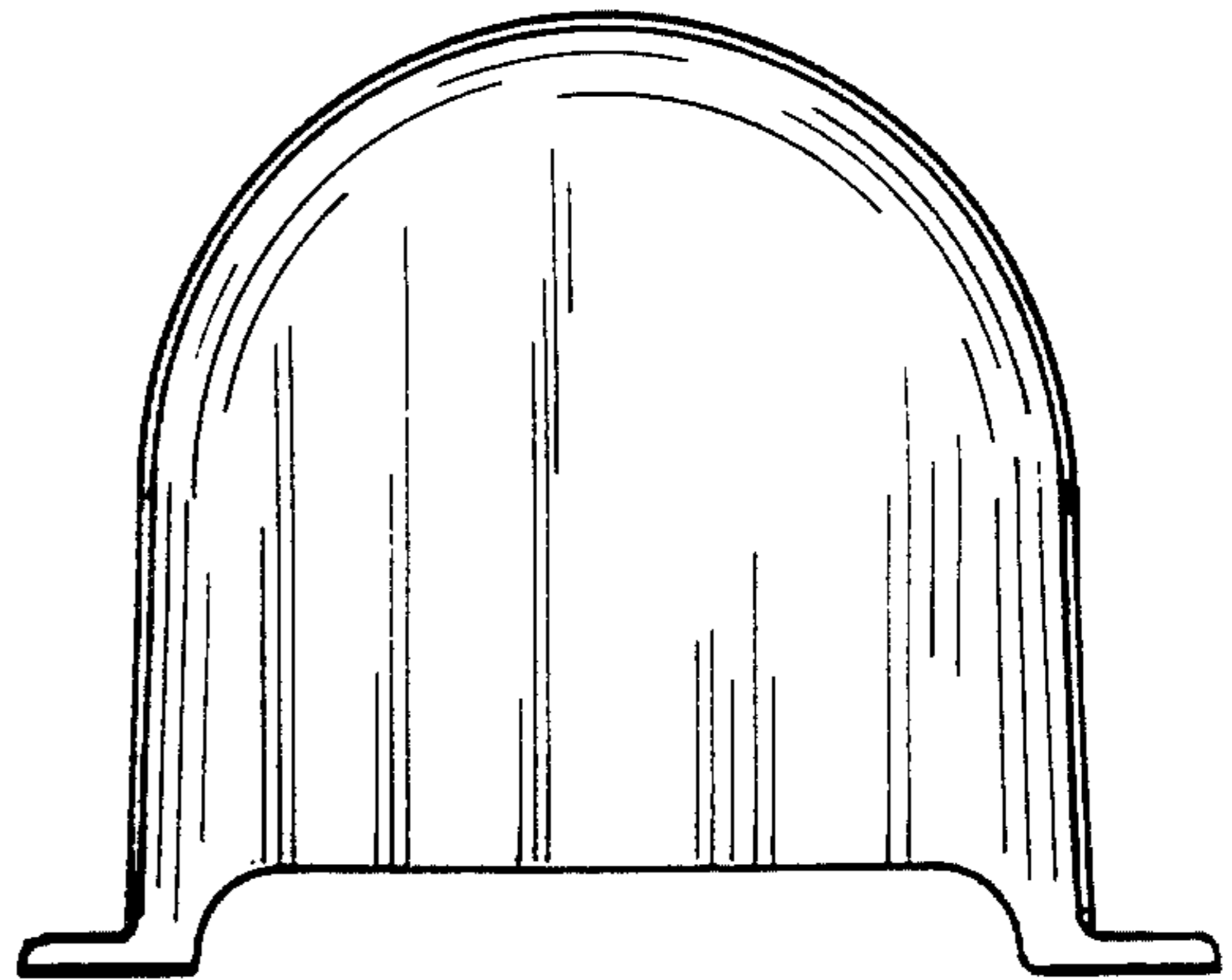
**FIG. 3**



**FIG. 4**



**FIG. 5**



**FIG. 6**