

[54] **MOUTH CARE BRUSH**

[75] **Inventor: John J. Newton, Jr., Oak Park, Ill.**

[73] **Assignee: Sage Products, Inc., Oak Park, Ill.**

[**] **Term: 14 Years**

[21] **Appl. No.: 539,578**

[22] **Filed: Oct. 6, 1983**

[52] **U.S. Cl. D4/104; D32/40; D32/51**

[58] **Field of Search D4/104-113; 15/159 R, 160, 167 R, 244; D32/40, 51, 52**

[56] **References Cited**

U.S. PATENT DOCUMENTS

D. 214,238 5/1969 Bender D4/104

D. 223,651 5/1972 Hermann D4/111

1,002,468 9/1911 Strangman D4/104 X

1,517,615 12/1924 Chynoweth 15/176

1,924,337 8/1933 Troupa 15/167 R

3,491,396 1/1970 Eannarino et al. 15/167 R

Primary Examiner—Catherine E. Kemper
Attorney, Agent, or Firm—William Brinks Olds Hofer
 Gilson & Lione Ltd.

[57] **CLAIM**

The ornamental design for a mouth care brush, as shown and described.

DESCRIPTION

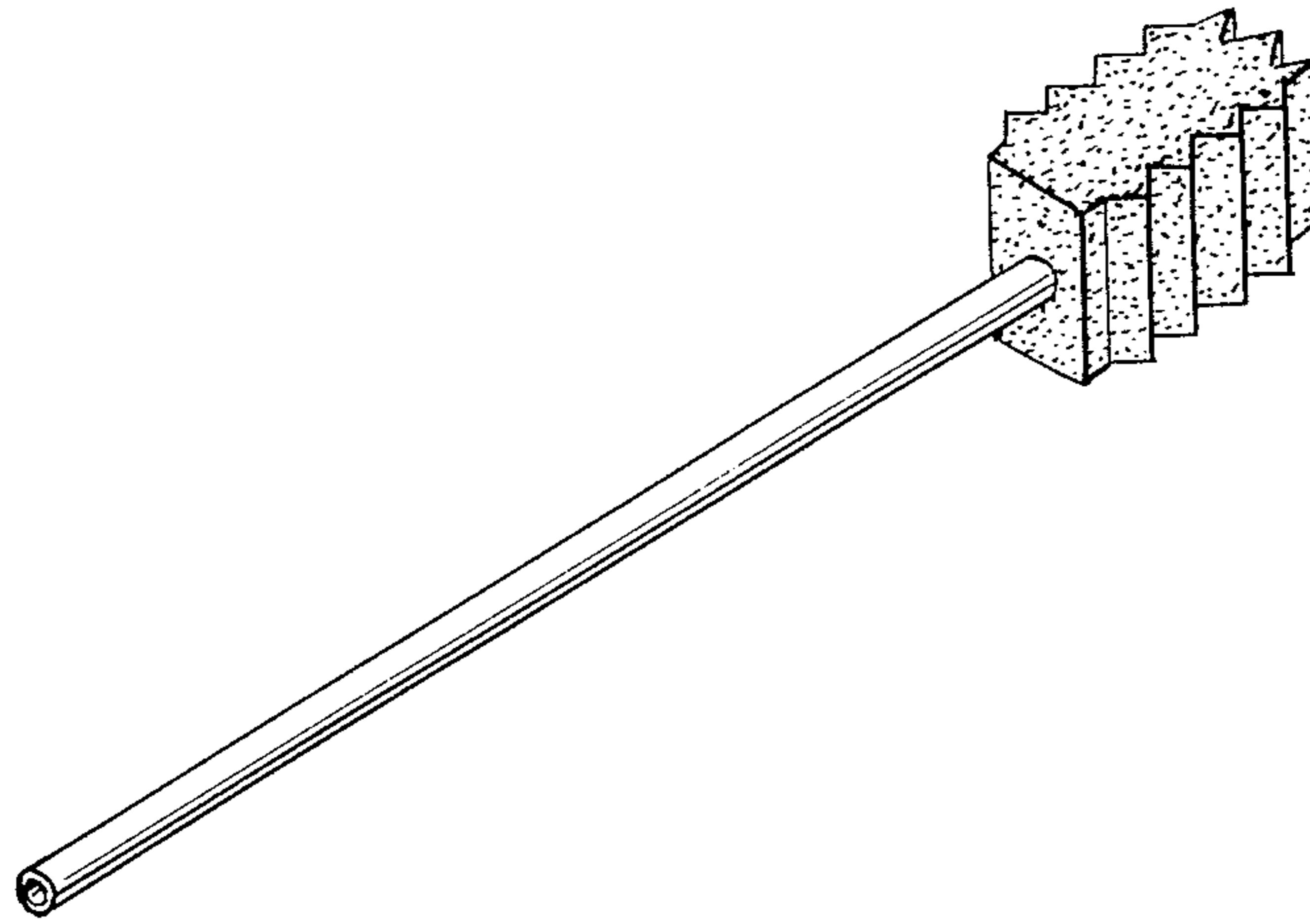
FIG. 1 is a top perspective view of a mouth care brush showing my new designs;

FIG. 2 is a right end elevational view thereof;

FIG. 3 is a top plan view thereof;

FIG. 4 is a side elevational view thereof; and

FIG. 5 is a left end elevational view thereof.



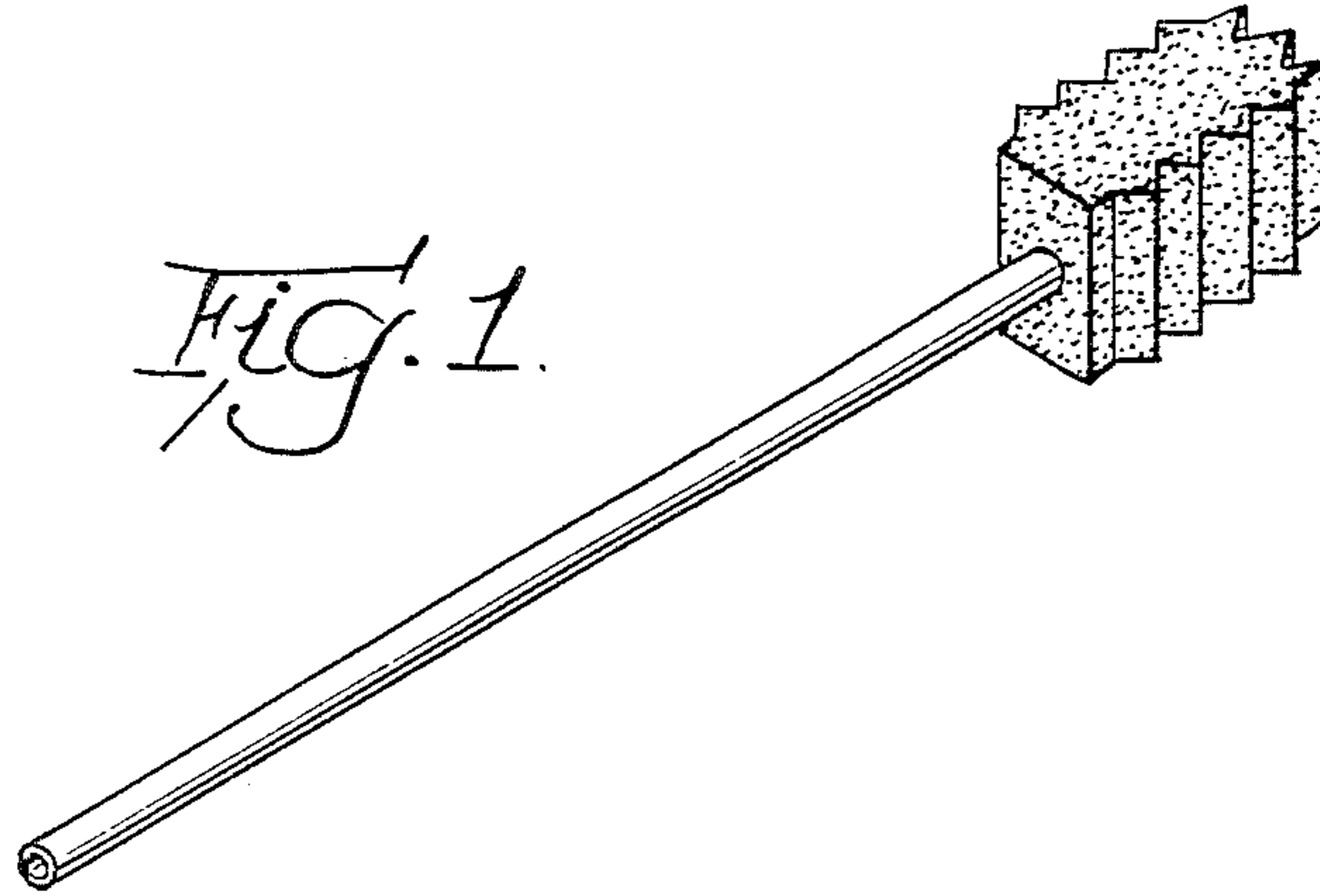


Fig. 1.

Fig. 2.

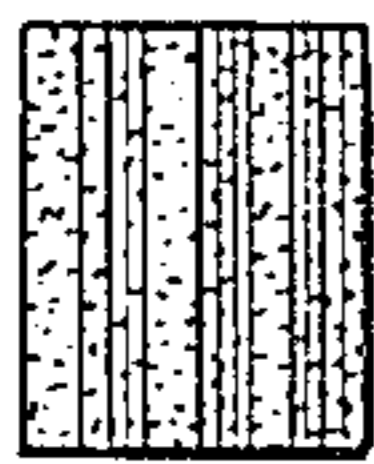


Fig. 3.

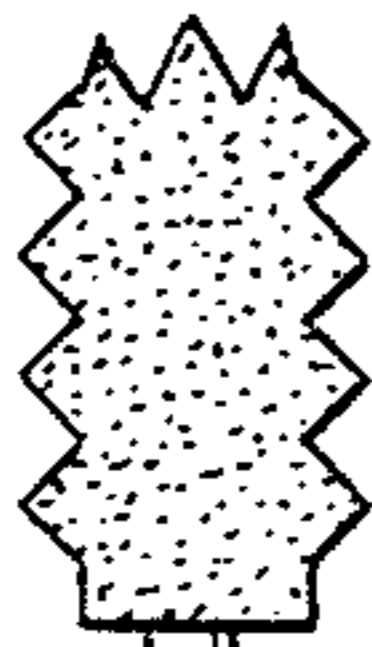


Fig. 4.

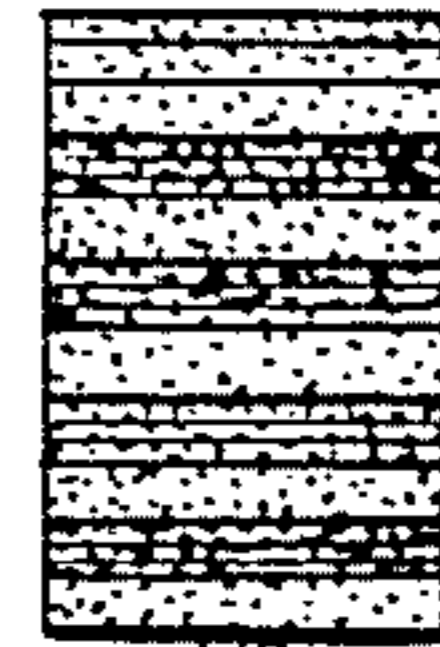


Fig. 5.

