

[54] **BELT-TYPE GARMENT FOR CARRYING TENNIS BALLS**

[75] Inventor: **Christian Gault, Paris, France**  
[73] Assignee: **Ball-Sash, Inc., New York, N.Y.**  
[\*\*] Term: **14 Years**  
[21] Appl. No.: **496,246**  
[22] Filed: **May 19, 1983**  
[52] U.S. Cl. .... **D2/381; D2/400; D2/380**  
[58] Field of Search ..... **D2/381, 383, 393, 400; D21/234, 212; 224/919, 191; 206/315.9**

[56] **References Cited**  
**U.S. PATENT DOCUMENTS**  
4,079,871 3/1978 Sica ..... 224/919 X  
4,294,386 10/1981 Ingram ..... D2/400 X

**FOREIGN PATENT DOCUMENTS**

2491343 4/1982 France ..... 224/191

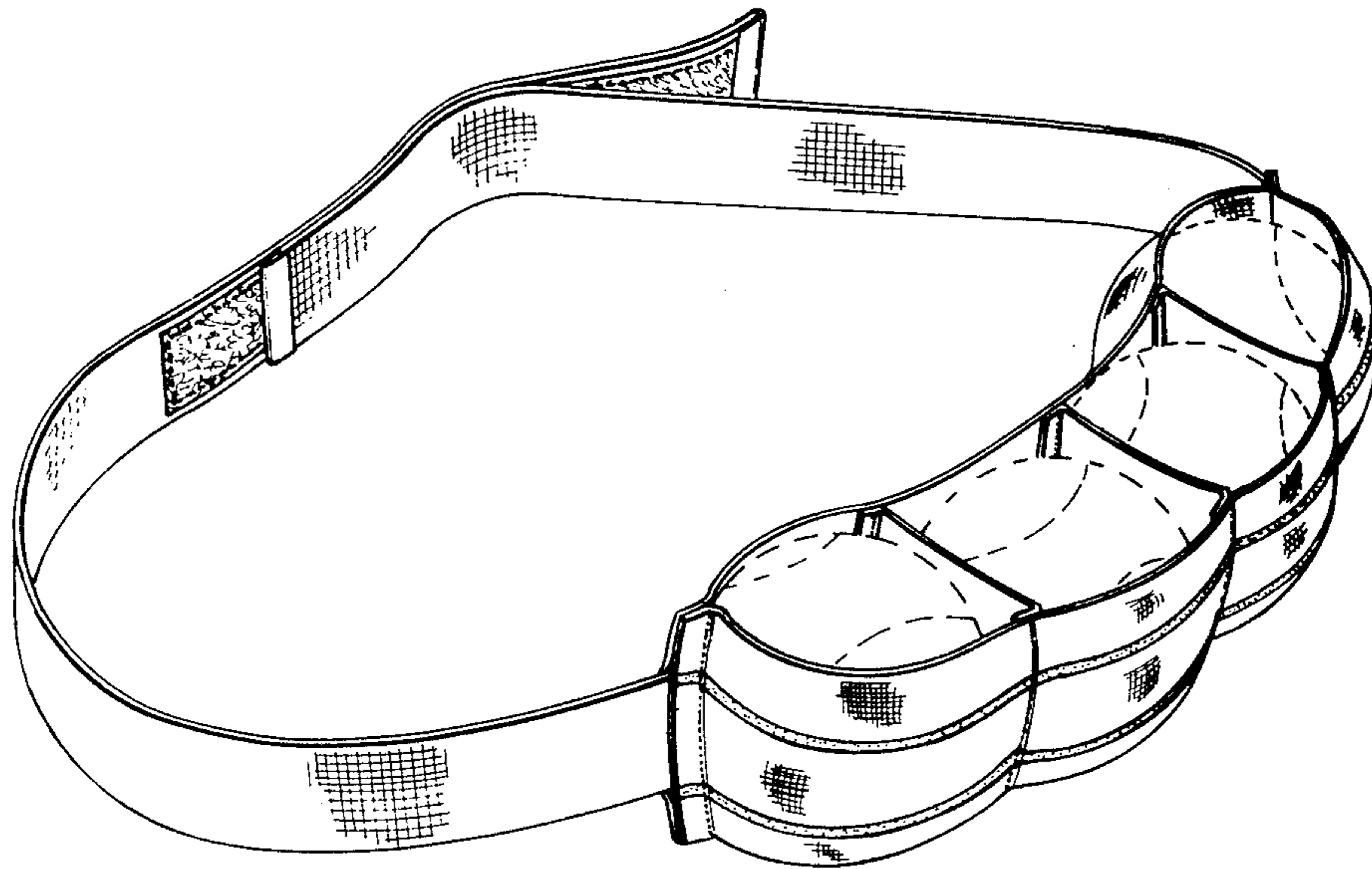
*Primary Examiner*—Bernard Ansher  
*Assistant Examiner*—Theodore M. Shooman  
*Attorney, Agent, or Firm*—Royslance, Abrams, Berdo & Goodman

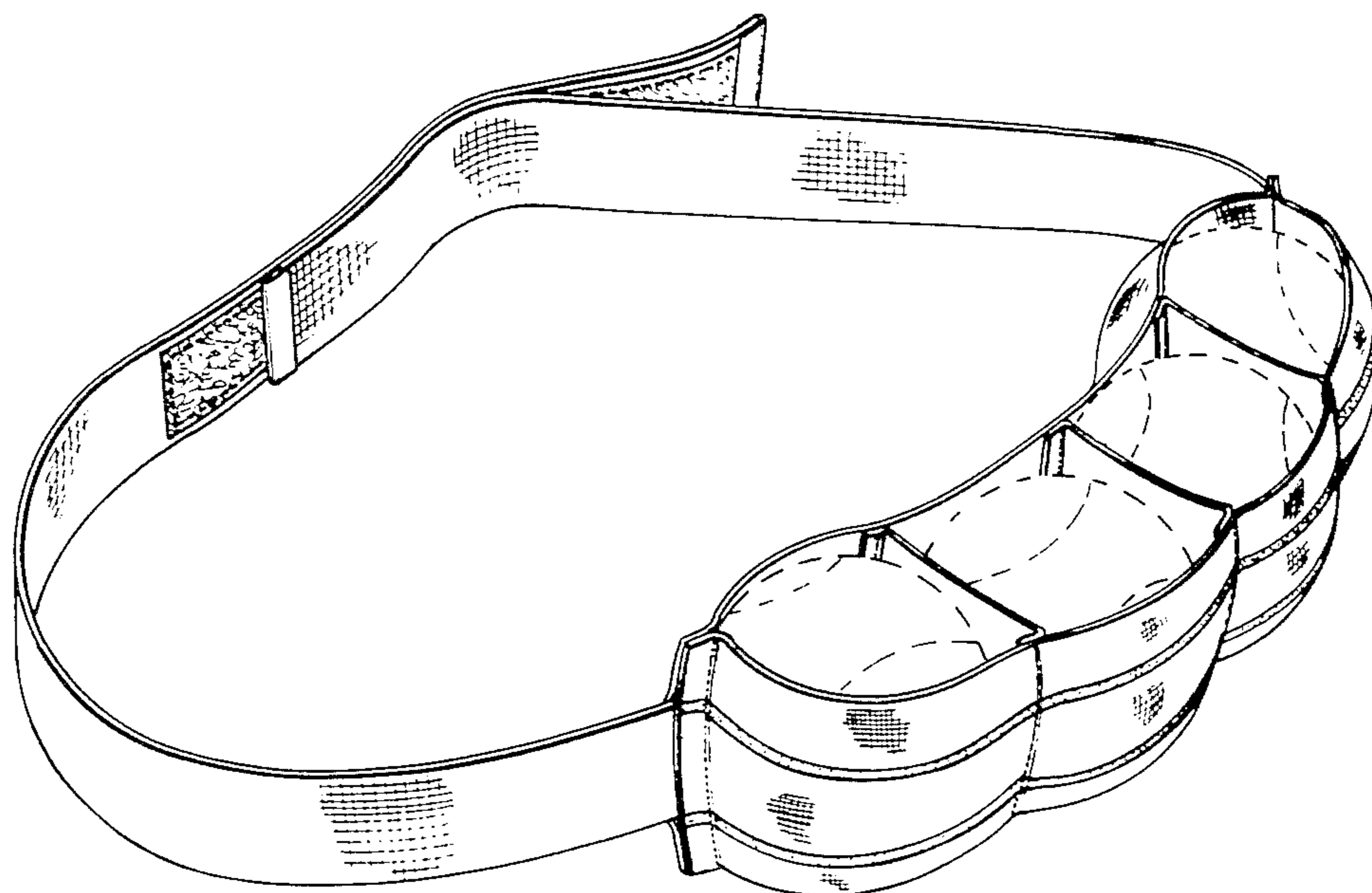
[57] **CLAIM**

The ornamental design for a belt-type garment for carrying tennis balls, as shown and described.

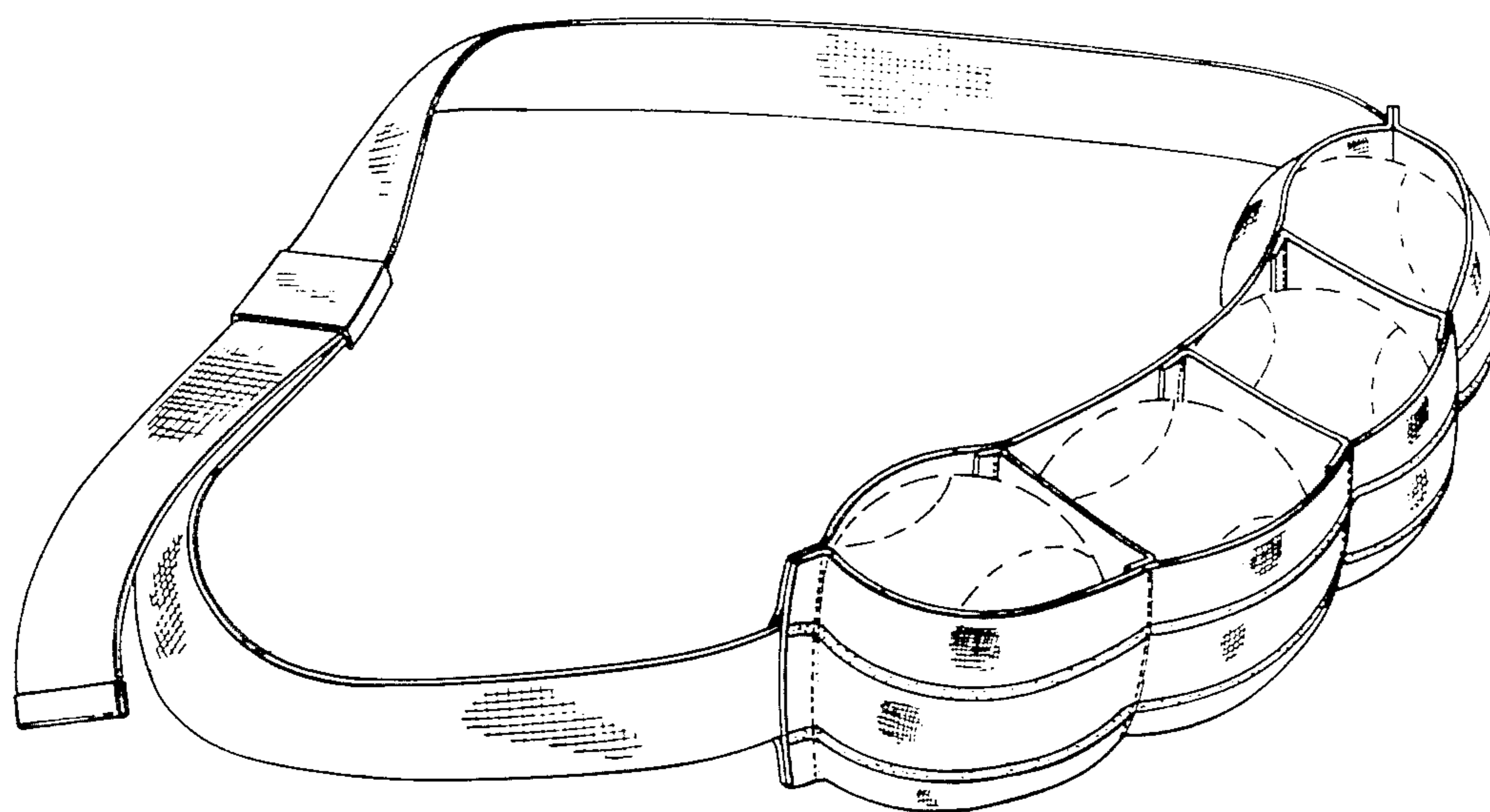
**DESCRIPTION**

FIG. 1 is a perspective view of a belt-type garment for carrying tennis balls showing my new design;  
FIG. 2 is a front elevational view thereof, the belt being shown as extended;  
FIG. 3 is a top plan view thereof;  
FIG. 4 is a rear elevational view thereof, and  
FIG. 5 is a perspective view of a second embodiment thereof.





*FIG. 1*



*FIG. 5*

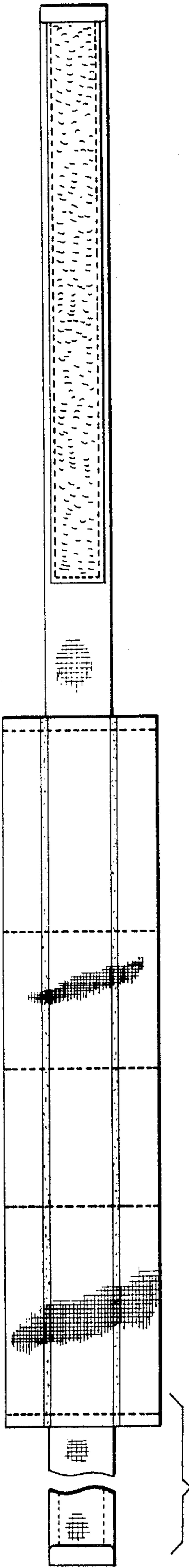


FIG. 2

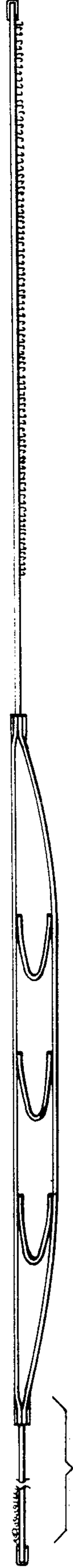


FIG. 3

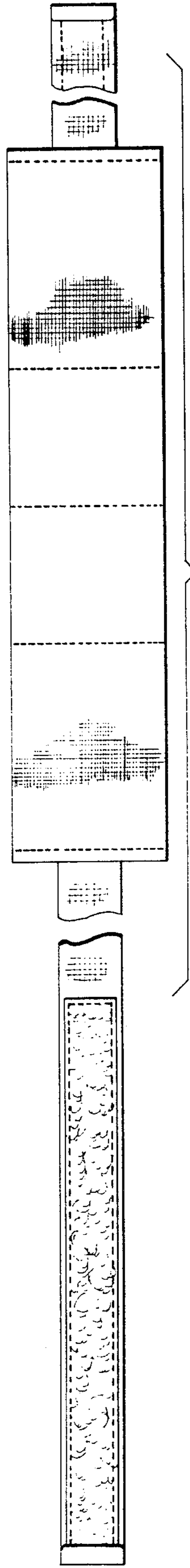


FIG. 4