

[54] OPERATORY MODULE FOR A HEALTH TREATMENT FACILITY

[75] Inventors: Robert Case, Chicago, Ill.; Joe H. Kennedy; Randall N. Bartlett, both of Bay Minette, Ala.; James D. Alsup, Jr., Conyers, Ga.

[73] Assignee: Syntex (U.S.A.) Inc., Palo Alto, Calif.

[\*\*] Term: 14 Years

[21] Appl. No.: 514,911

[22] Filed: Jul. 18, 1983

[52] U.S. Cl. .... D24/4; D24/1.1; D6/422; D23/59

3,455,620 7/1969 Coburn ..... 433/77 X  
 3,524,256 8/1970 Barker ..... 433/78  
 3,547,505 12/1970 Ott et al. .... 312/209  
 3,997,218 12/1976 Wolf et al. .... 312/209

FOREIGN PATENT DOCUMENTS

886999 11/1971 Canada ..... 433/77  
 2439687 3/1976 Fed. Rep. of Germany ..... 433/77  
 2808294 8/1978 Fed. Rep. of Germany ..... 433/77

Primary Examiner—Catherine E. Kemper  
 Attorney, Agent, or Firm—Derek P. Freyberg; David A. Lovin

[58] Field of Search ..... D24/1.1, 2, 4, 5, 7; D23/26, 48, 49, 59; D6/432, 436, 445-448, 422-426; 4/630-636, 638; 433/77-79; 312/107, 199, 200, 201, 203, 198, 209, 228, 229, 237

[57] CLAIM

The ornamental design for an operatory module for a health treatment facility, as shown and described.

DESCRIPTION

FIG. 1 is a front elevational view of an operatory module for a health treatment facility, showing our new design;  
 FIG. 2 is a rear elevational view thereof;  
 FIG. 3 is a right side elevational view thereof;  
 FIG. 4 is a left side elevational view thereof;  
 FIG. 5 is a top plan view thereof;  
 FIG. 6 is a front perspective view thereof; and  
 FIG. 7 is a front elevational view of a second embodiment of an operatory module for a health treatment facility.

[56] References Cited

U.S. PATENT DOCUMENTS

D. 225,996 1/1973 Schwartz ..... D24/4  
 D. 226,483 3/1973 Schwartz ..... D24/4  
 D. 227,891 7/1973 Welsh ..... D23/49 X  
 D. 229,463 12/1973 Marshall et al. .... D24/4 X  
 D. 240,134 6/1976 Pierson ..... D24/4  
 D. 267,340 12/1982 Watanabe ..... D24/4  
 3,250,583 5/1966 Phillips ..... 312/209

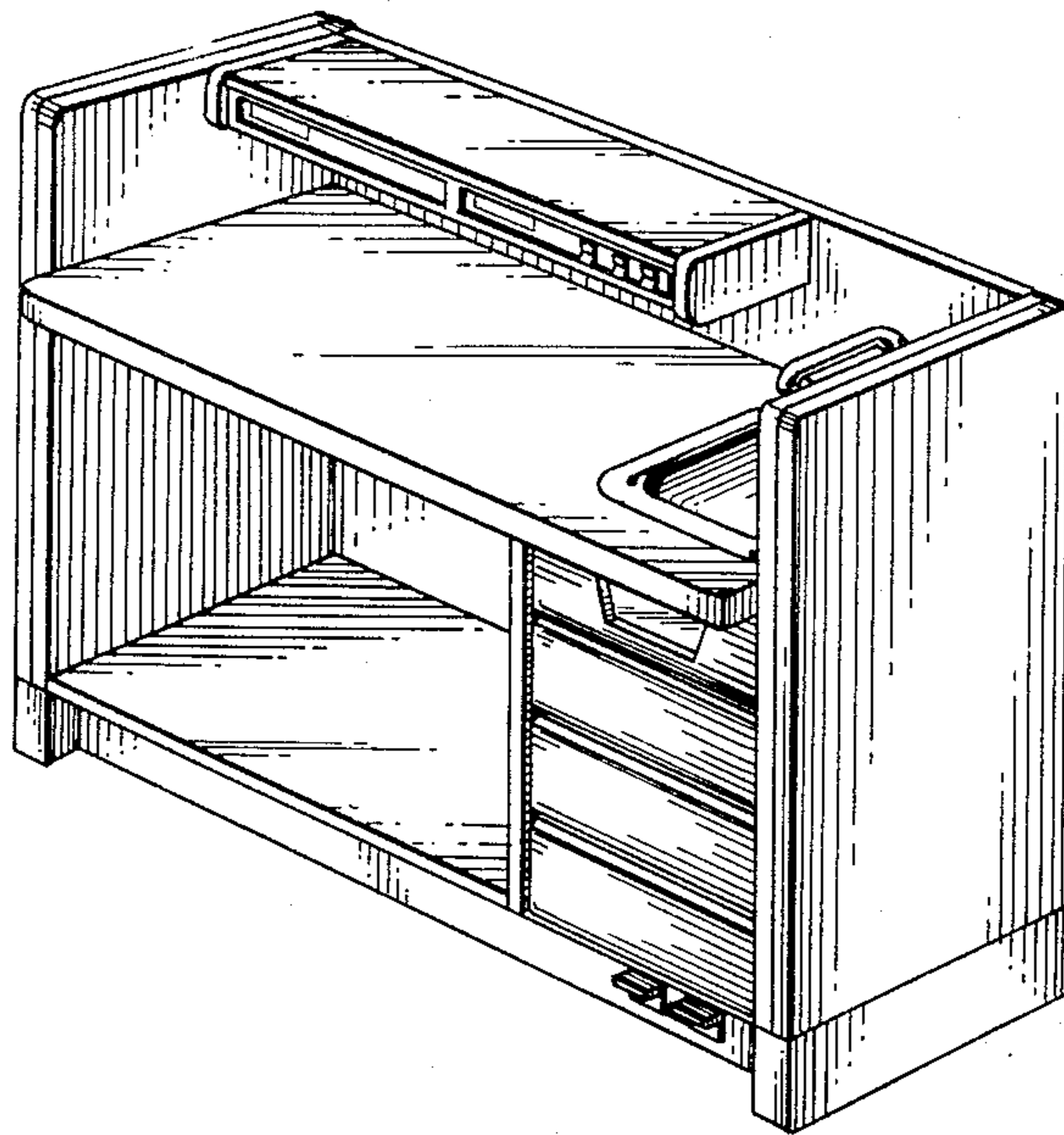


FIG. 1

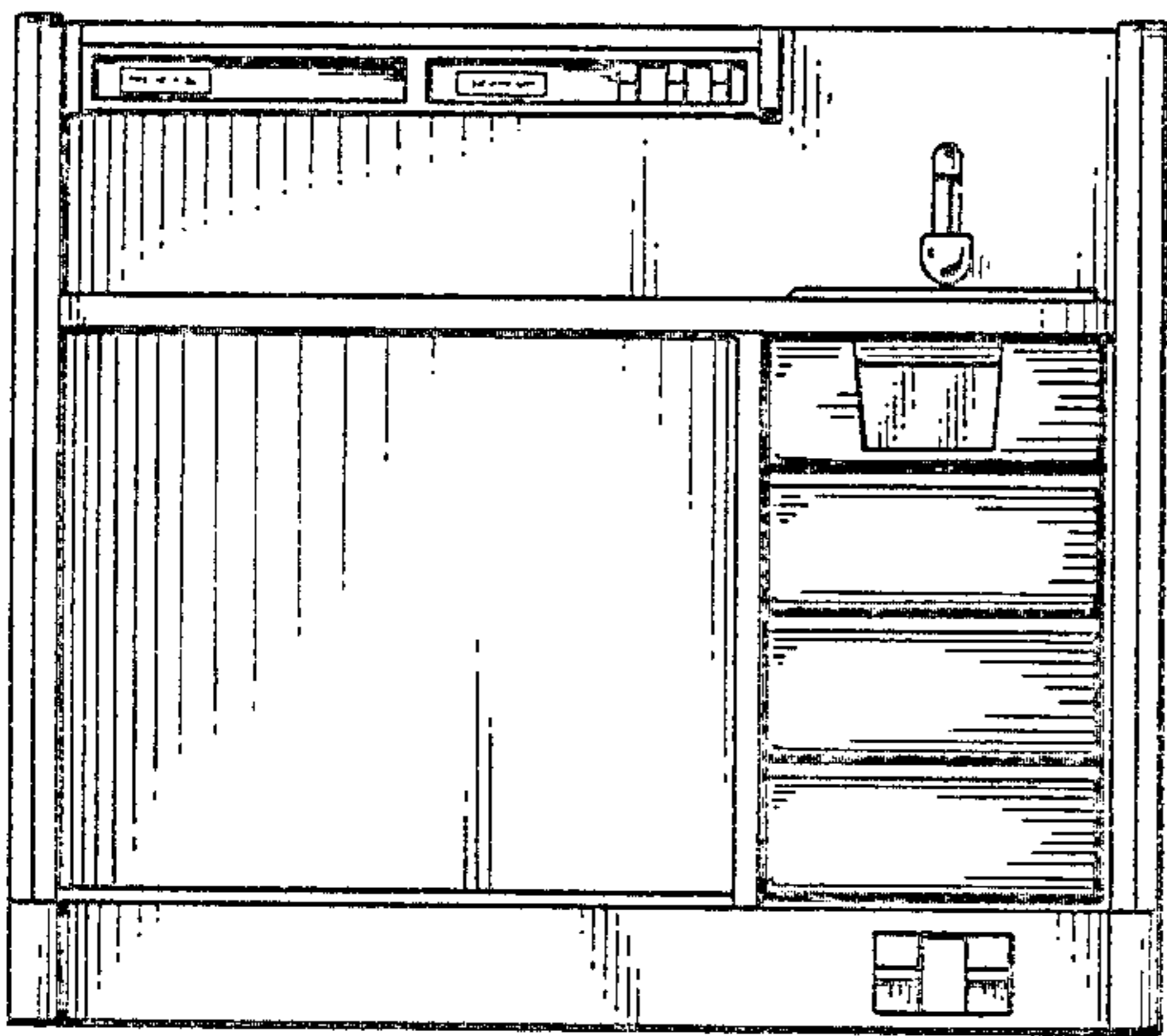


FIG. 2

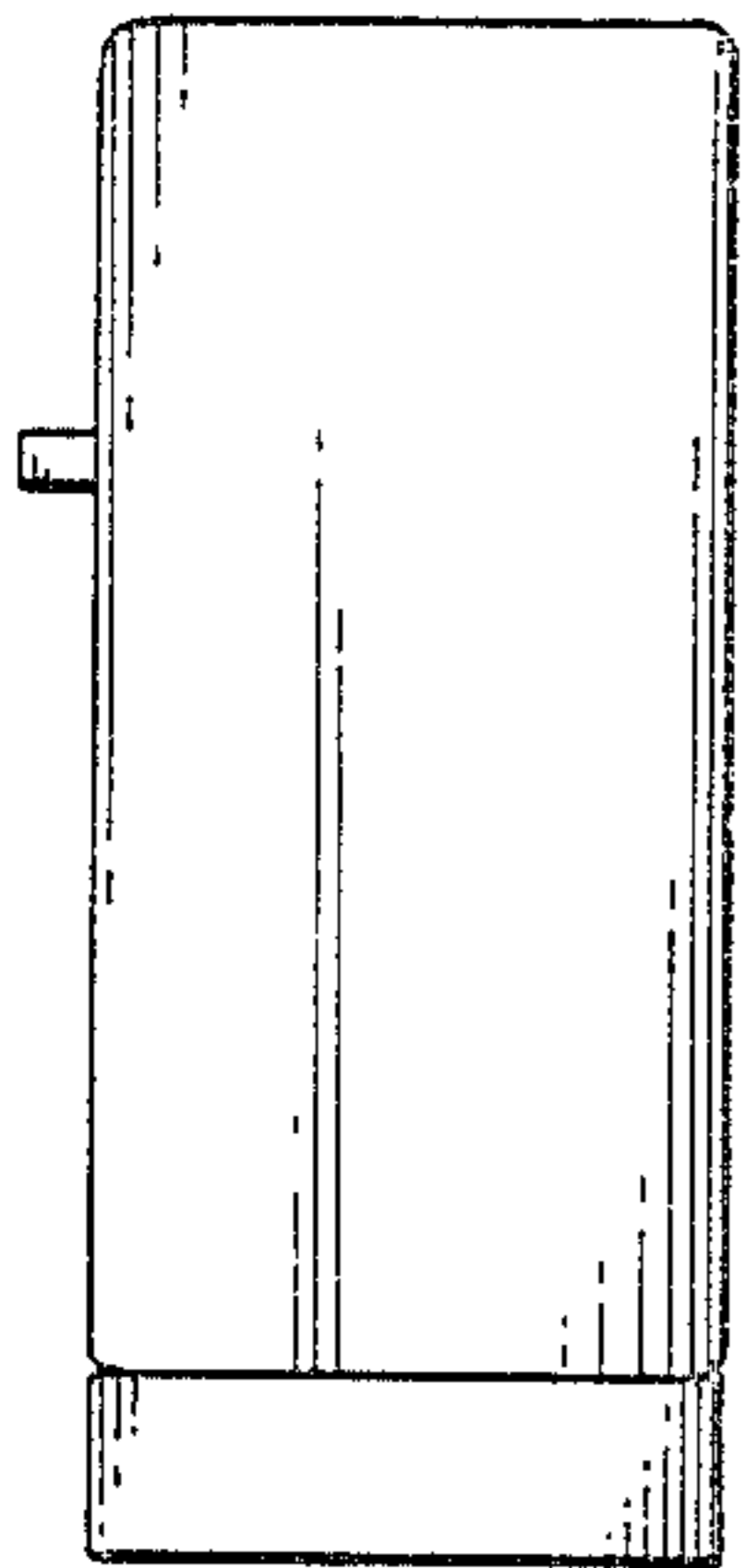
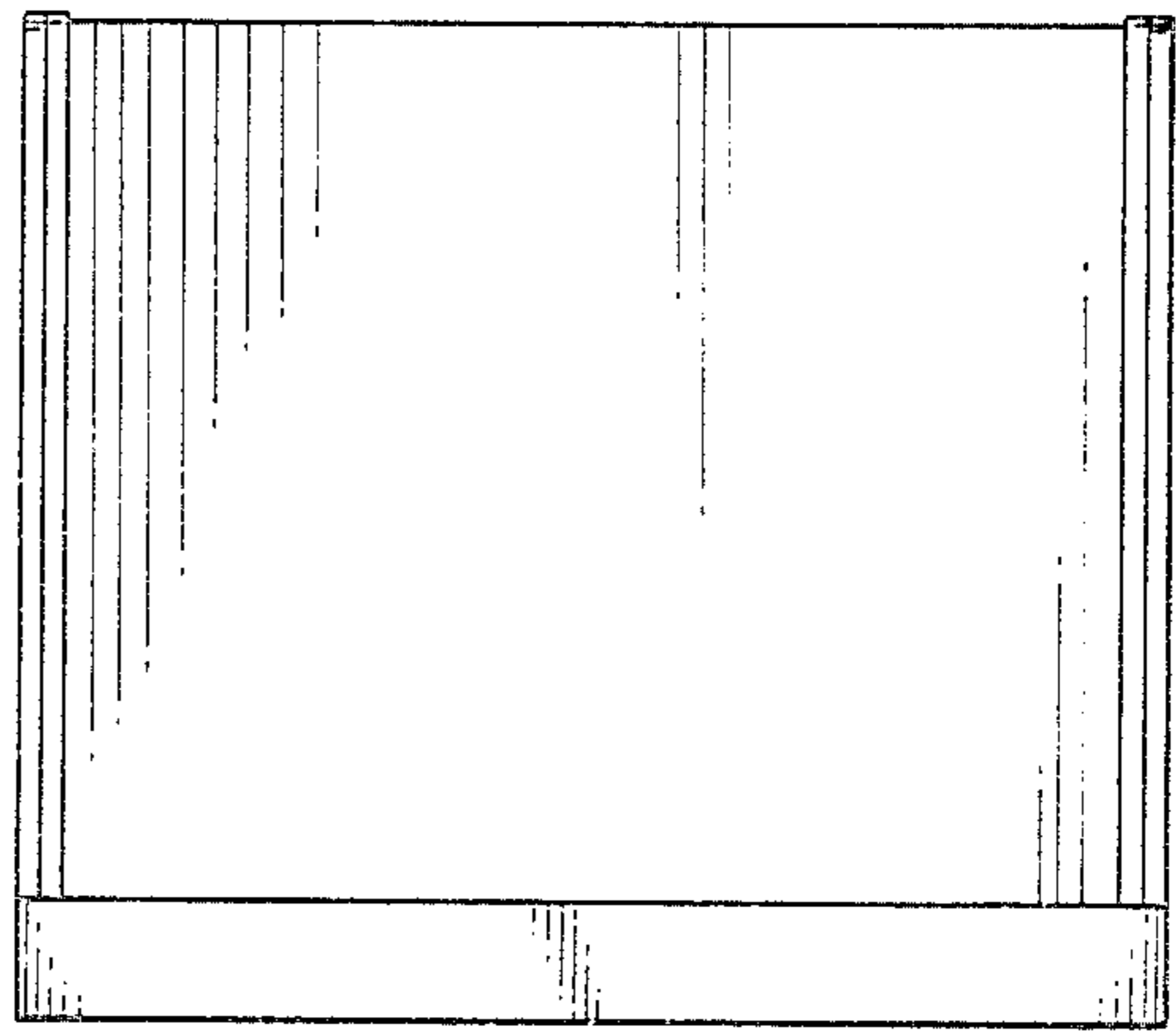


FIG. 3

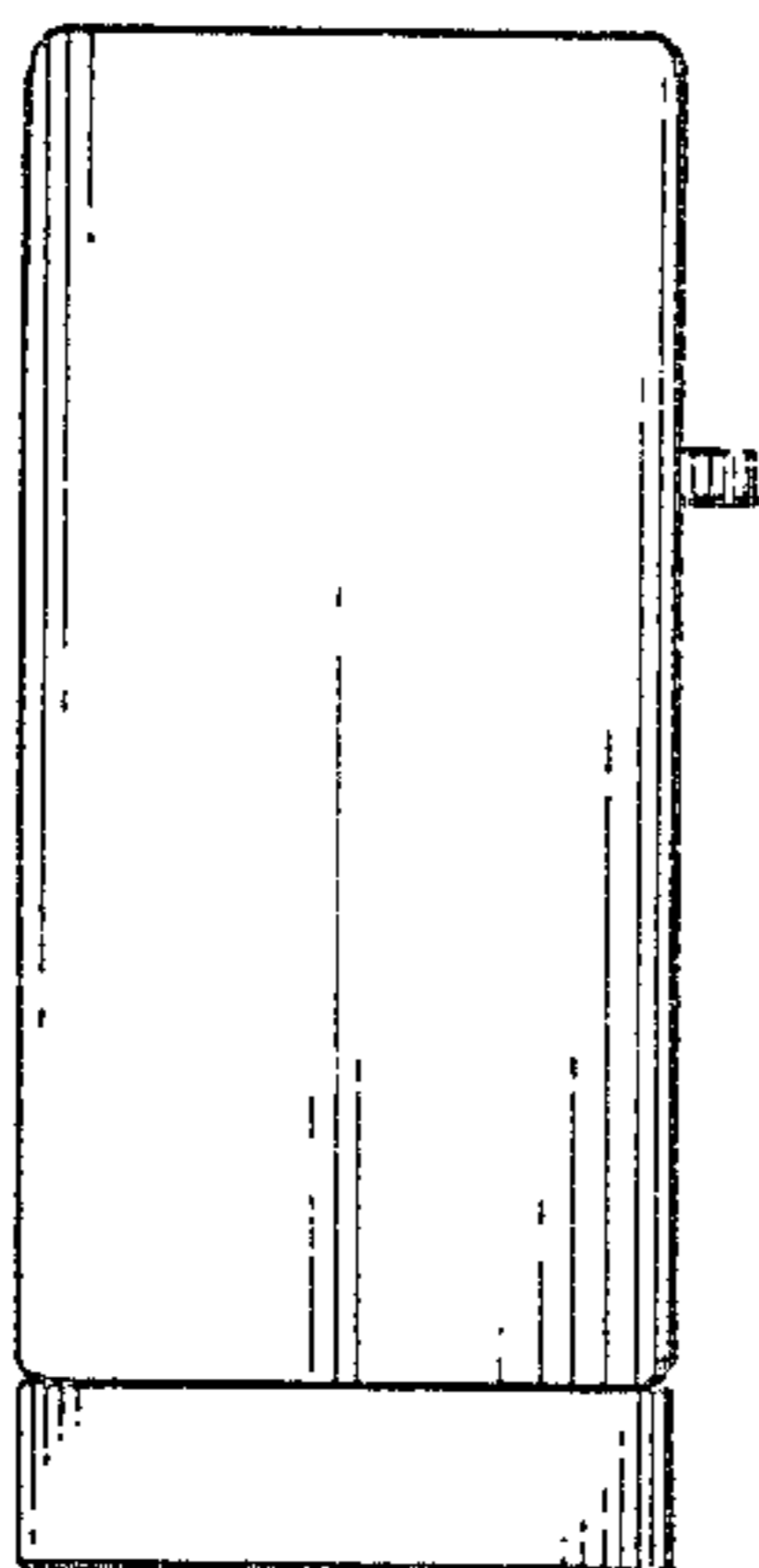


FIG. 4

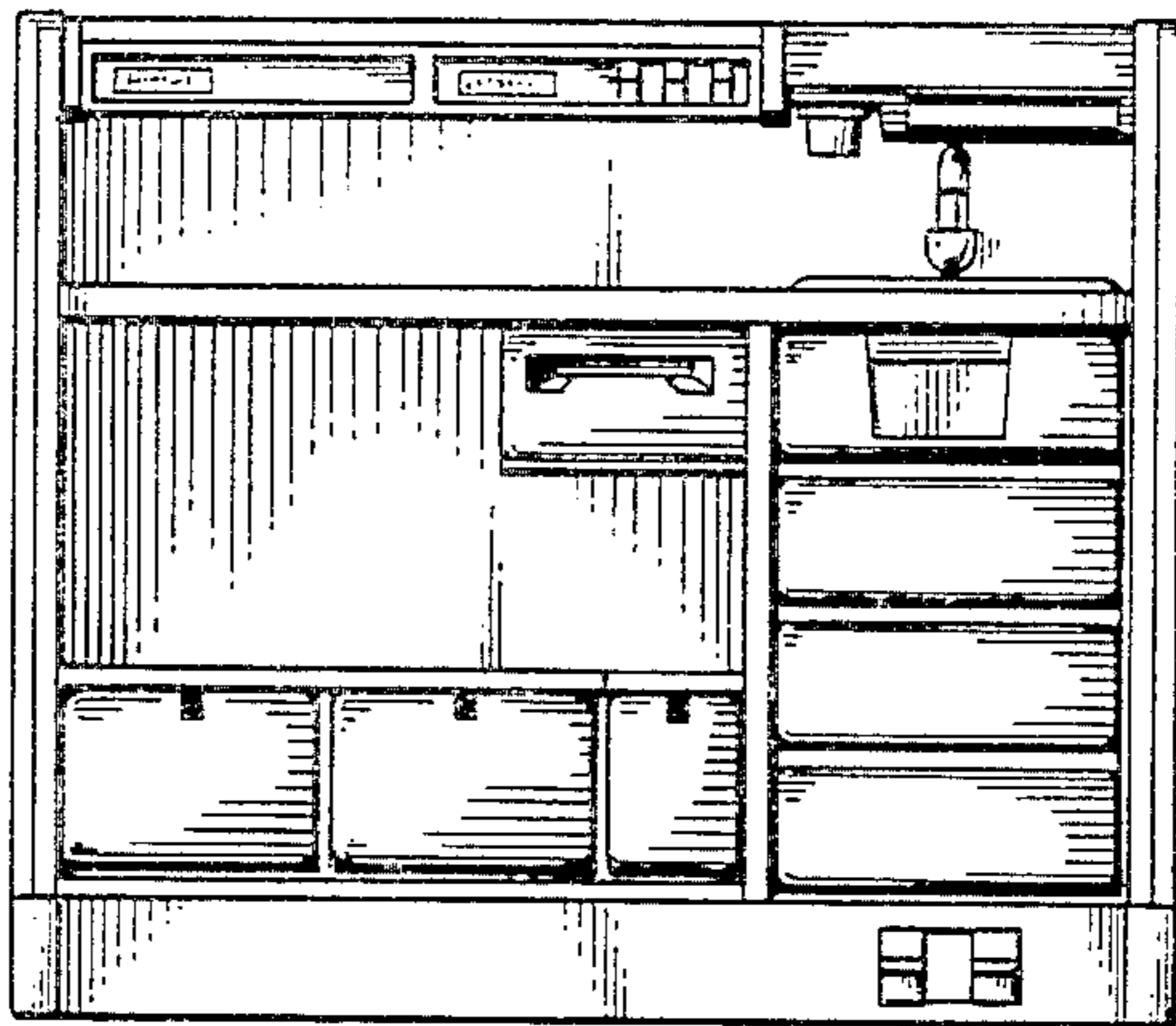


FIG. 7

FIG. 5

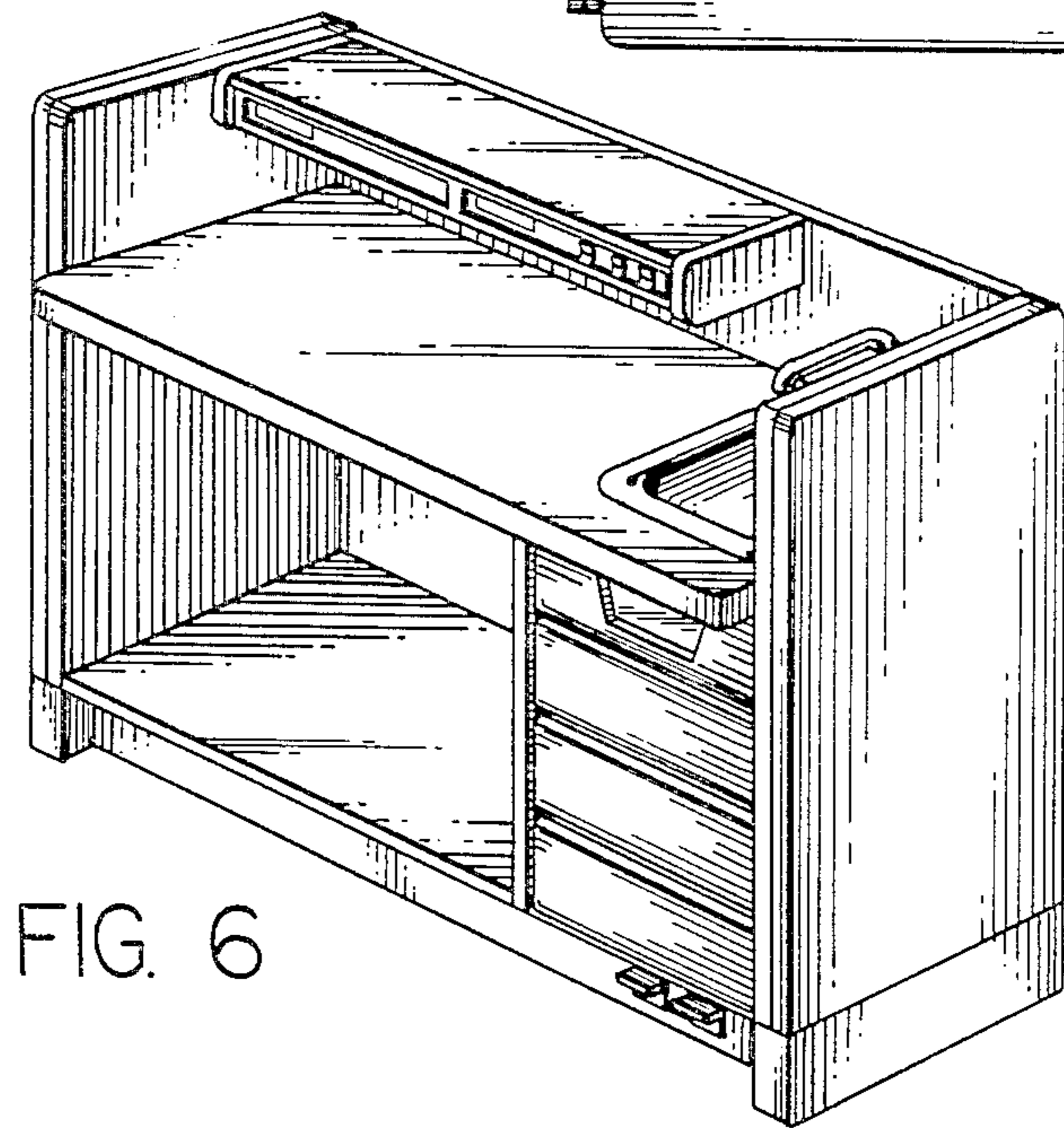
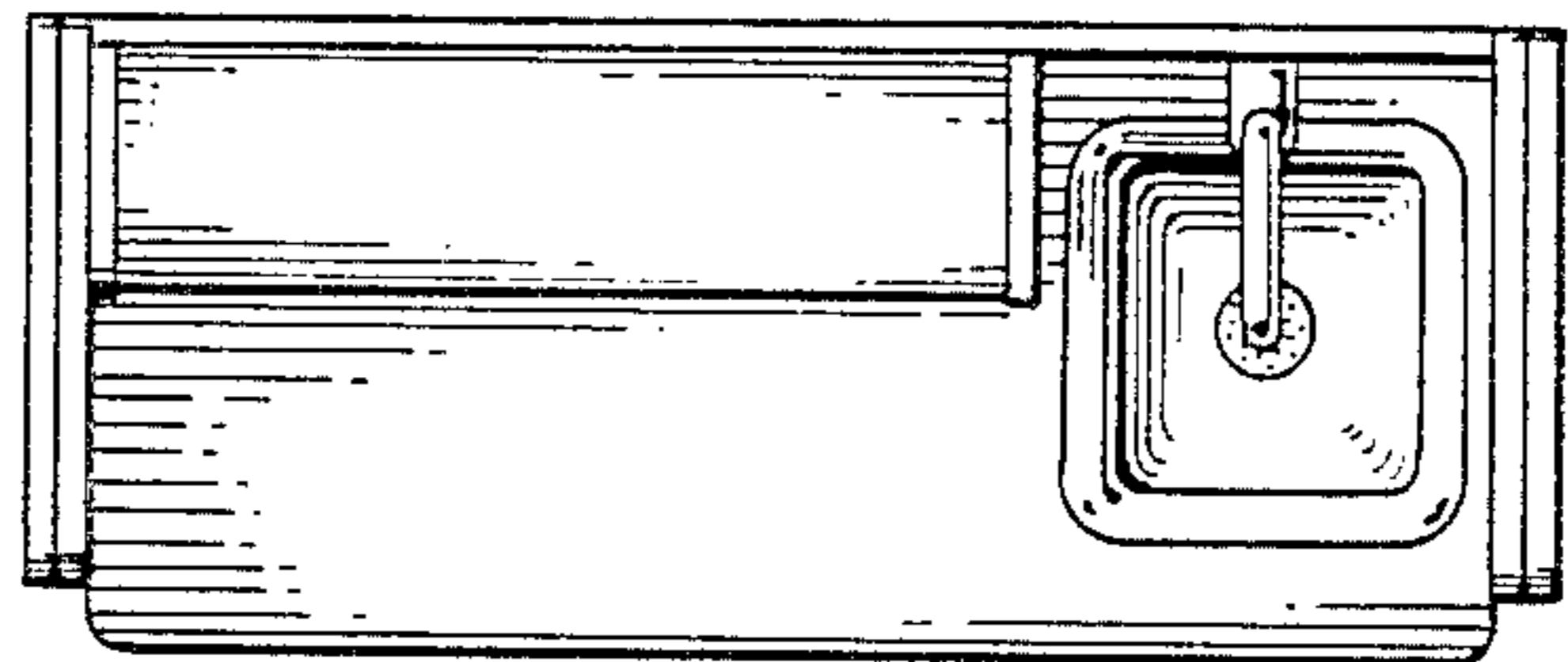


FIG. 6