

[54] TOY RATTLE

[75] Inventors: Shinroku Nakao, Kanagawa;
Yoshiyasu Ishii; Susumu Matsumoto,
both of Tokyo, all of Japan

[73] Assignee: Combi Co., Ltd., Tokyo, Japan

[**] Term: 14 Years

[21] Appl. No.: 552,600

[22] Filed: Nov. 16, 1983

[30] Foreign Application Priority Data

May 27, 1983 [JP] Japan 58-22551

[52] U.S. Cl. D21/65; D21/156

[58] Field of Search D21/65, 59, 156;
446/419, 421, 227

[56] References Cited

U.S. PATENT DOCUMENTS

D. 62,509 6/1923 Stokes D21/156
D. 158,900 6/1950 Schmucker D21/156

D. 271,222 11/1983 Riehm D21/65
1,223,507 4/1917 Mathias 446/419

FOREIGN PATENT DOCUMENTS

489279 12/1952 Canada 446/419
765869 1/1957 United Kingdom 446/227

Primary Examiner—Charles A. Rademaker
Attorney, Agent, or Firm—Sughrue, Mion, Zinn,
Mackpeak & Seas

[57] CLAIM

The ornamental design for a toy rattle, as shown.

DESCRIPTION

FIG. 1 is a front, top and right side perspective view of toy rattle showing our new design;
FIG. 2 is a front elevational view thereof;
FIG. 3 is a rear elevational view thereof;
FIG. 4 is a left side elevational view thereof;
FIG. 5 is a right side elevational view thereof;
FIG. 6 is a top plan view thereof; and
FIG. 7 is a bottom plan view thereof.

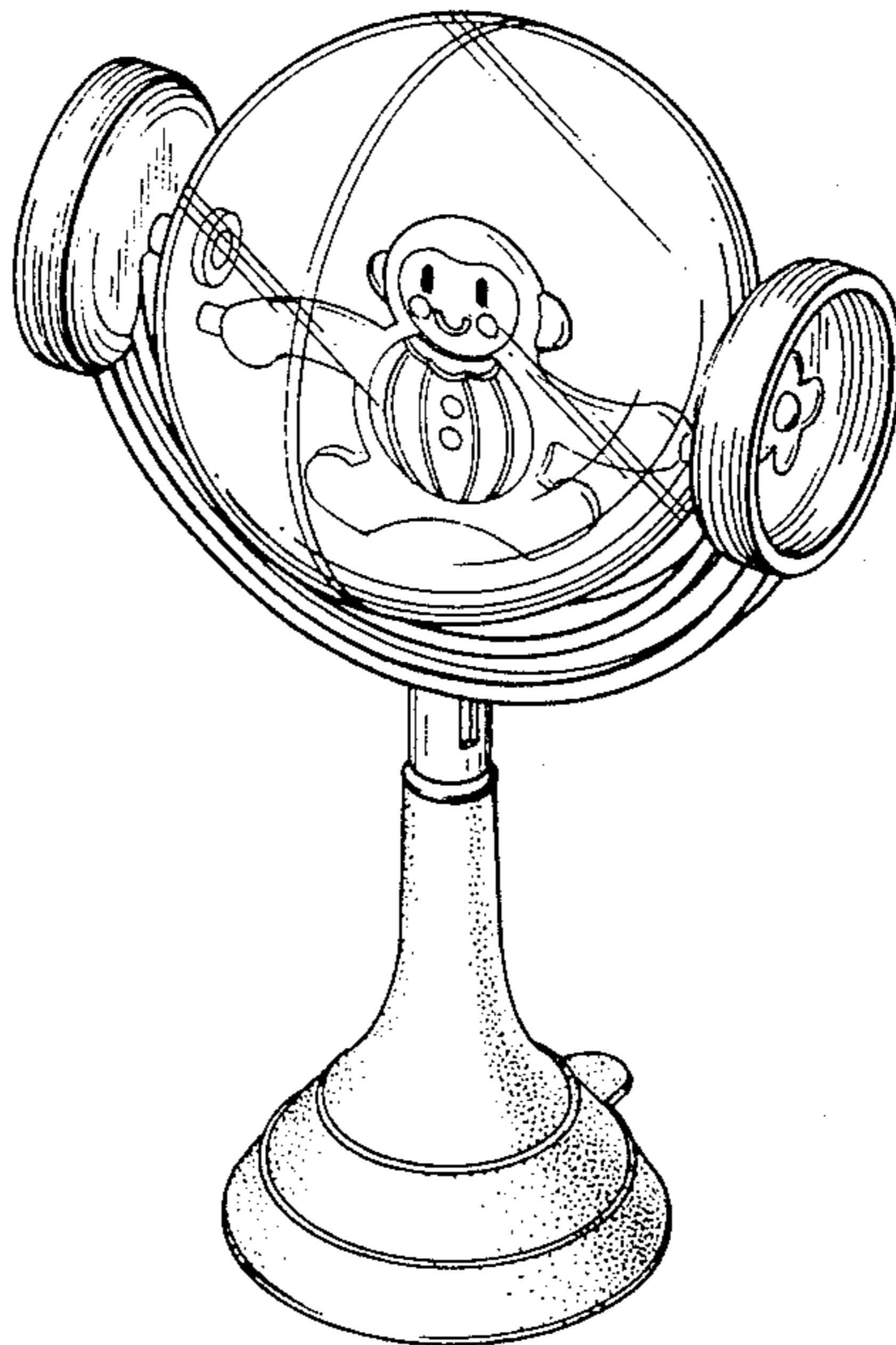


FIG. 1

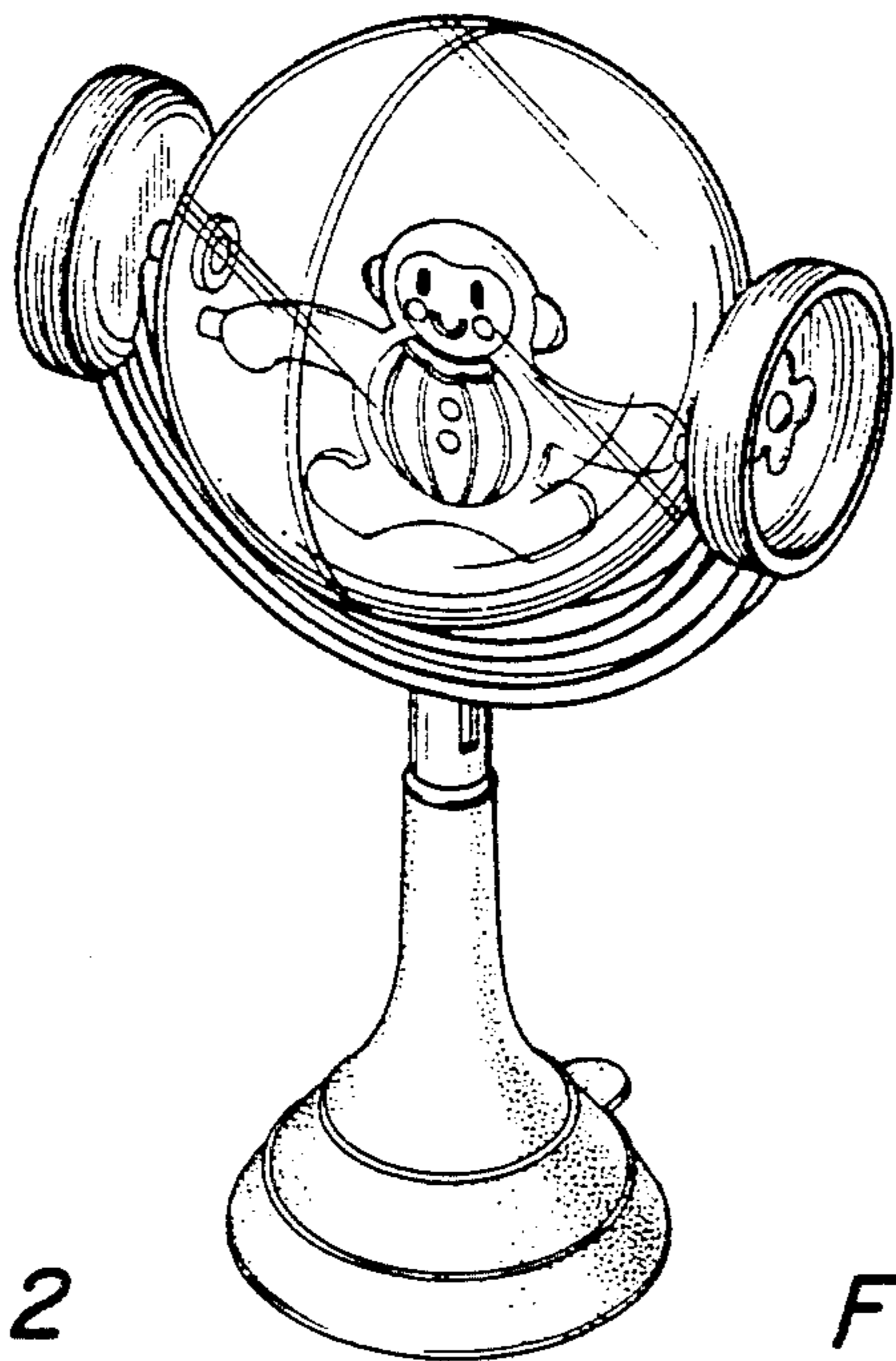


FIG. 2

FIG. 3

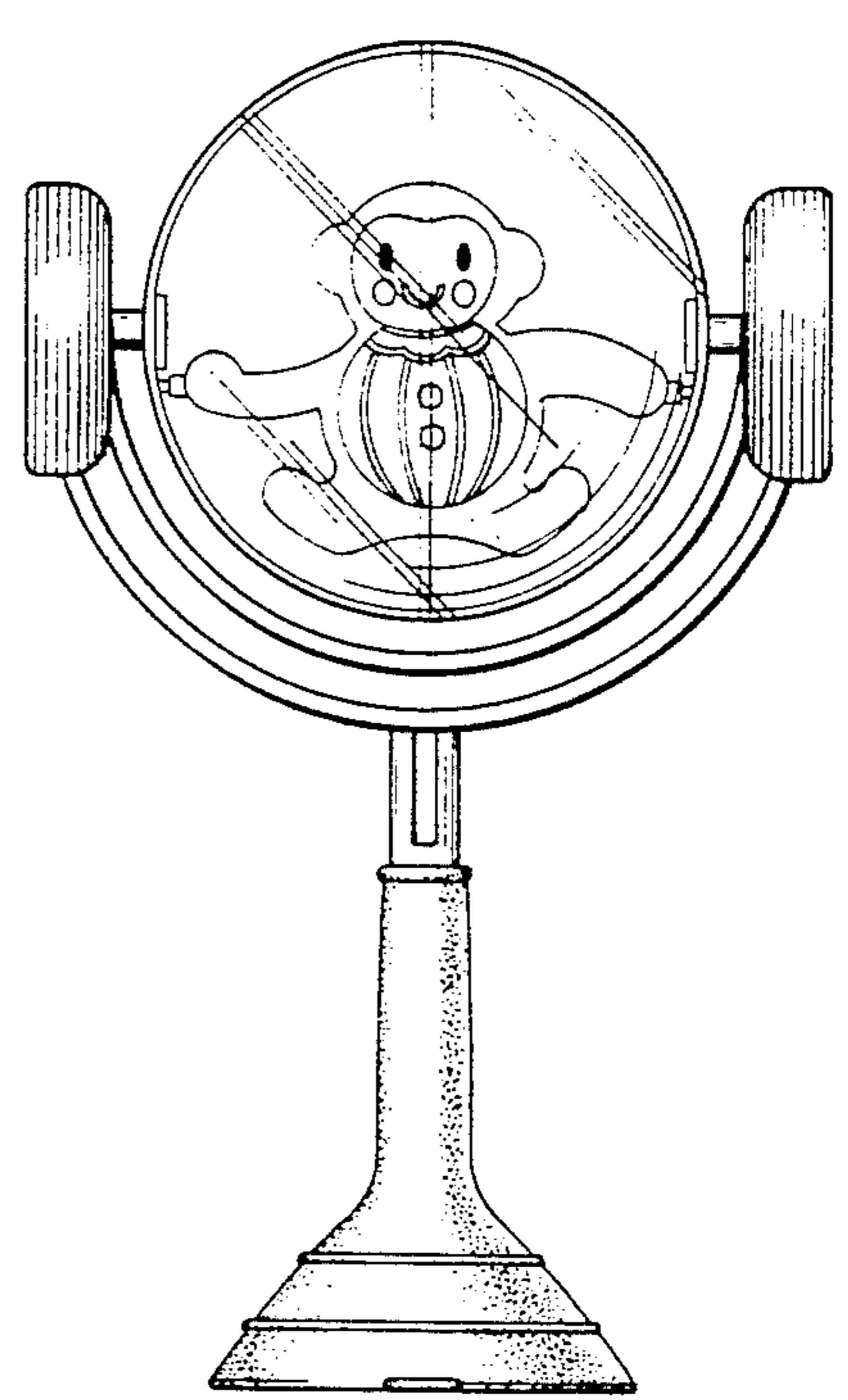
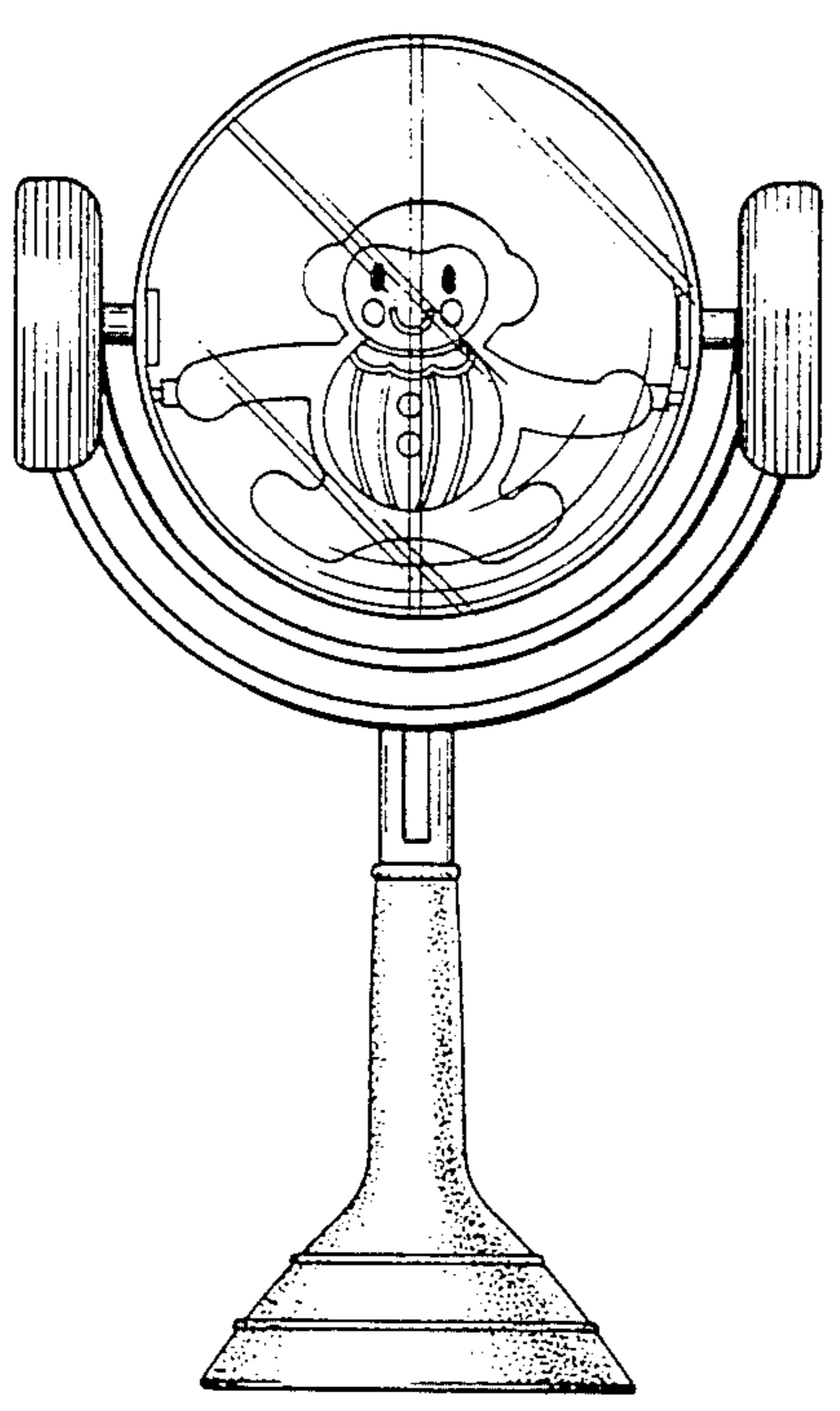


FIG. 4

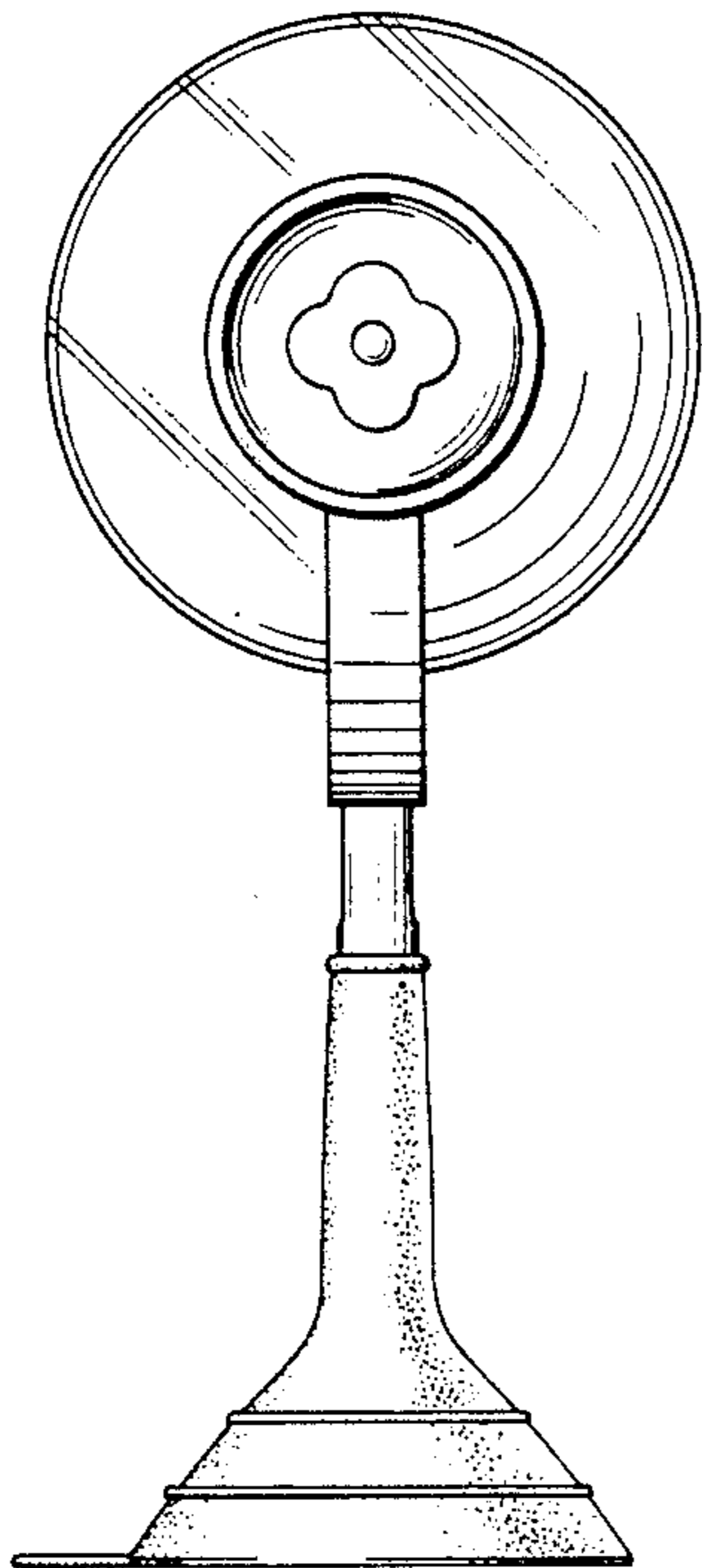


FIG. 5

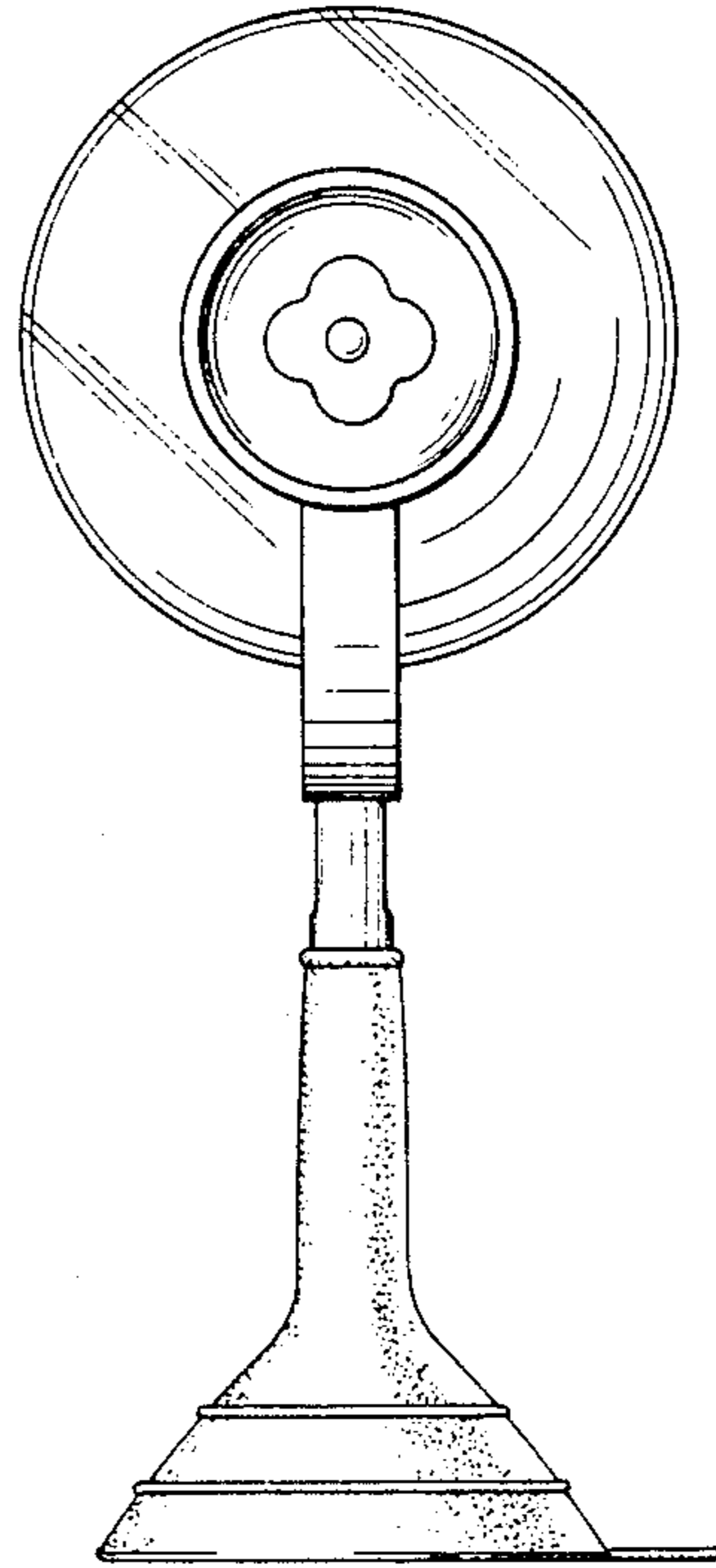


FIG. 6

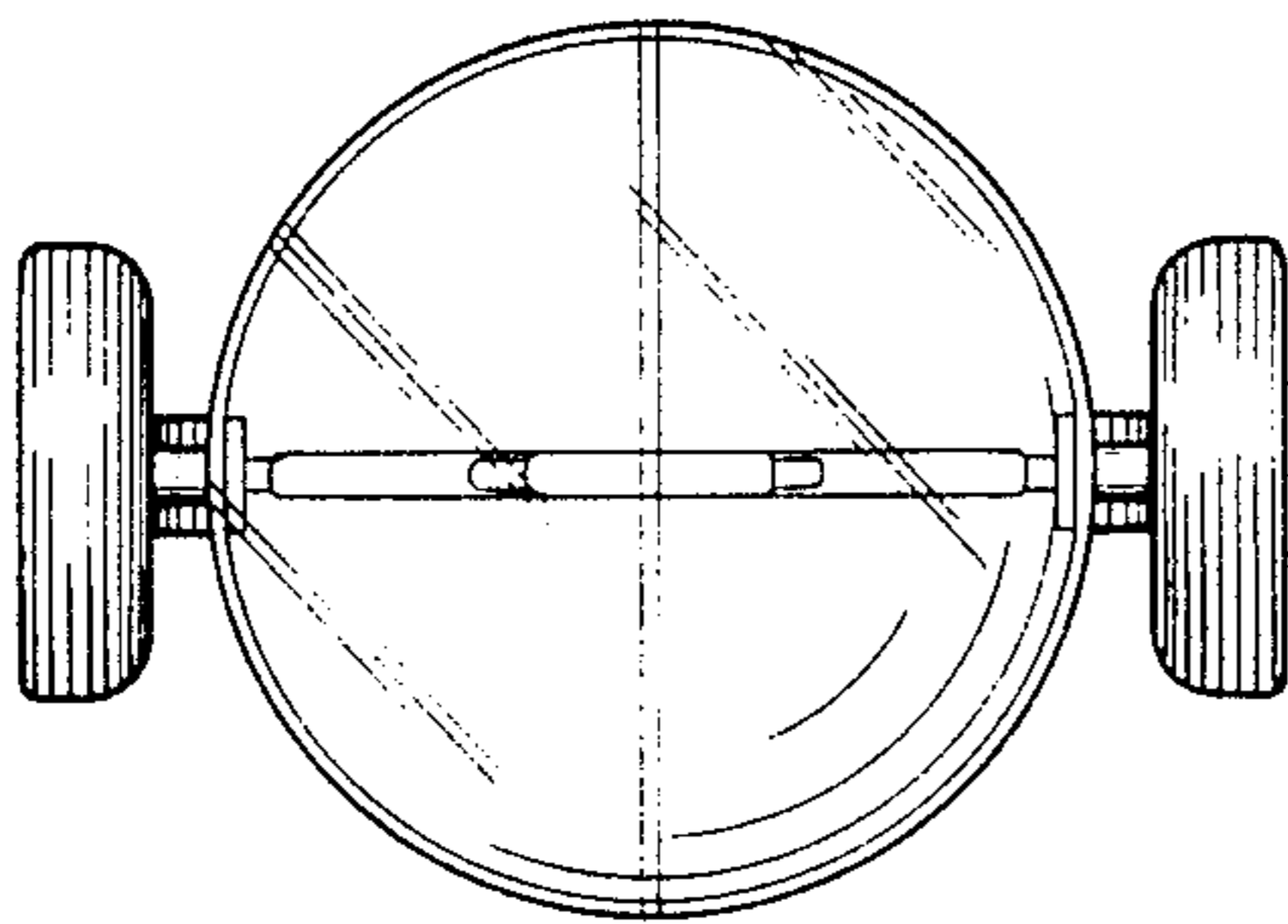


FIG. 7

