

[54] BALL POINT WRITING INSTRUMENT

[75] Inventors: Jacques LeBlanc, L'Isle Adam, France; Gerald C. Herold; E. Dale Thompson, both of Janesville, Wis.

[73] Assignee: The Parker Pen Company, Janesville, Wis.

[**] Term: 14 Years

[21] Appl. No.: 565,722

[22] Filed: Dec. 27, 1983

[52] U.S. Cl. D19/49; D19/51; D19/55

[58] Field of Search D3/35, 36, 41-51, D3/54-55

[56] References Cited

U.S. PATENT DOCUMENTS

- D. 93,807 11/1934 Back D19/49
- D. 145,586 9/1946 Reynolds D19/48

- D. 194,296 12/1962 Lovejoy D19/49
- D. 217,646 5/1970 DeGroft D19/49
- D. 251,301 3/1979 Malamoud D19/49
- D. 271,028 10/1983 Adams D19/55
- D. 277,393 1/1985 Oyabu D19/51

Primary Examiner—George P. Word
Attorney, Agent, or Firm—Edmond T. Patnaude

[57] CLAIM

The ornamental design for a ball point writing instrument, substantially as shown and described.

DESCRIPTION

FIG. 1 is a side elevational view of a ball point writing instrument showing our new design, the instrument being generally circular in cross section throughout; FIG. 2 is an enlarged scale front end view taken from the left side of FIG. 1; FIG. 3 is an enlarged scale rear end view taken from the right side of FIG. 1; and FIG. 4 is an enlarged scale side elevational view of the front end portion shown in FIG. 1.

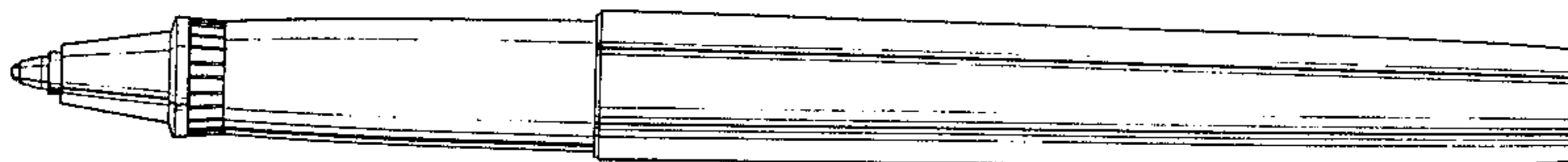


FIG. 1

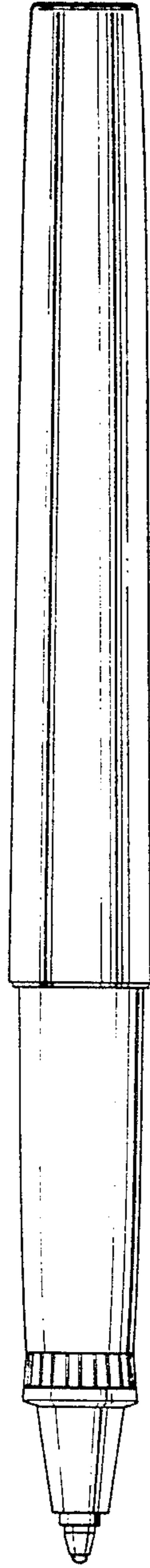


FIG. 2

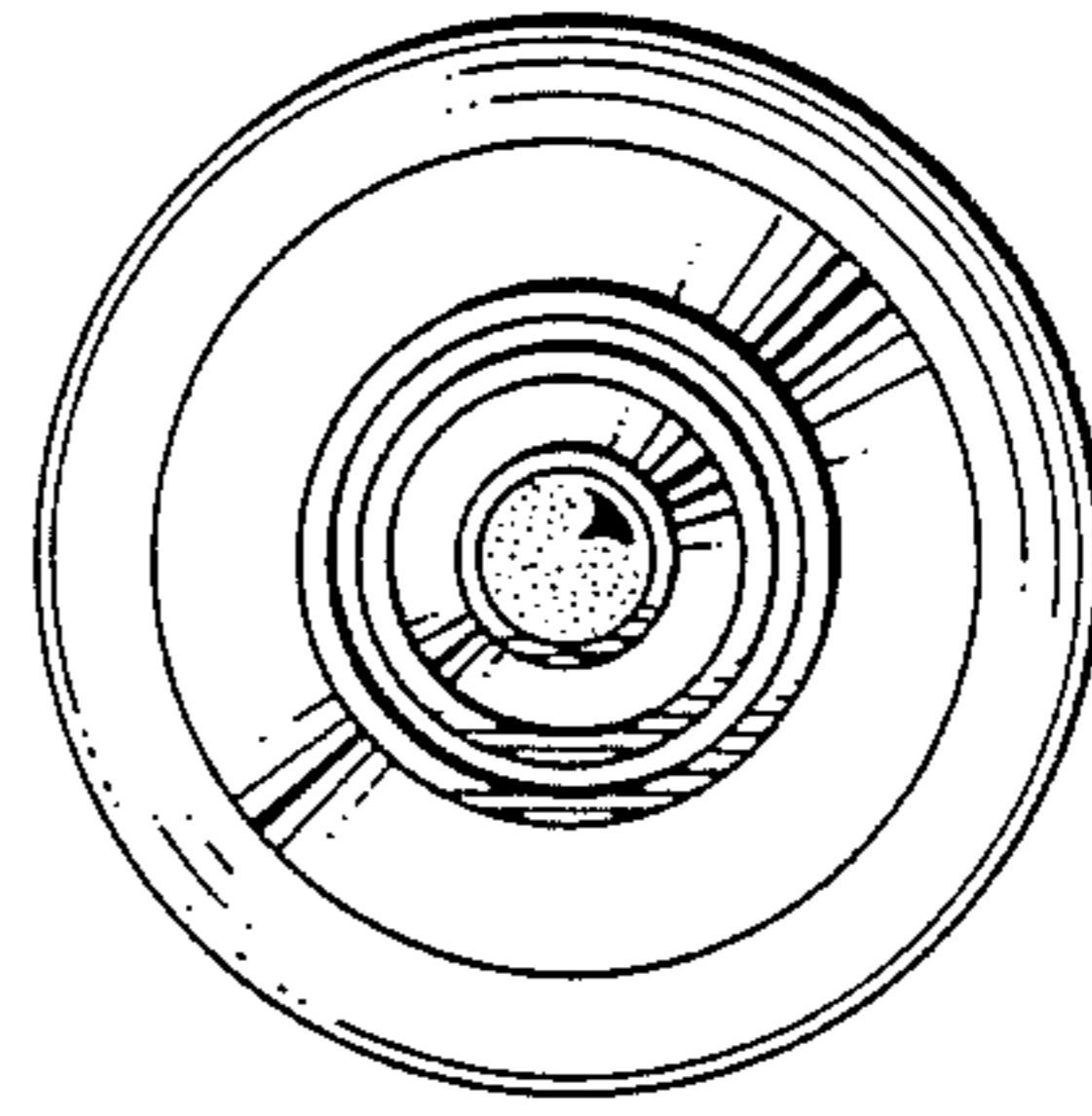


FIG. 4

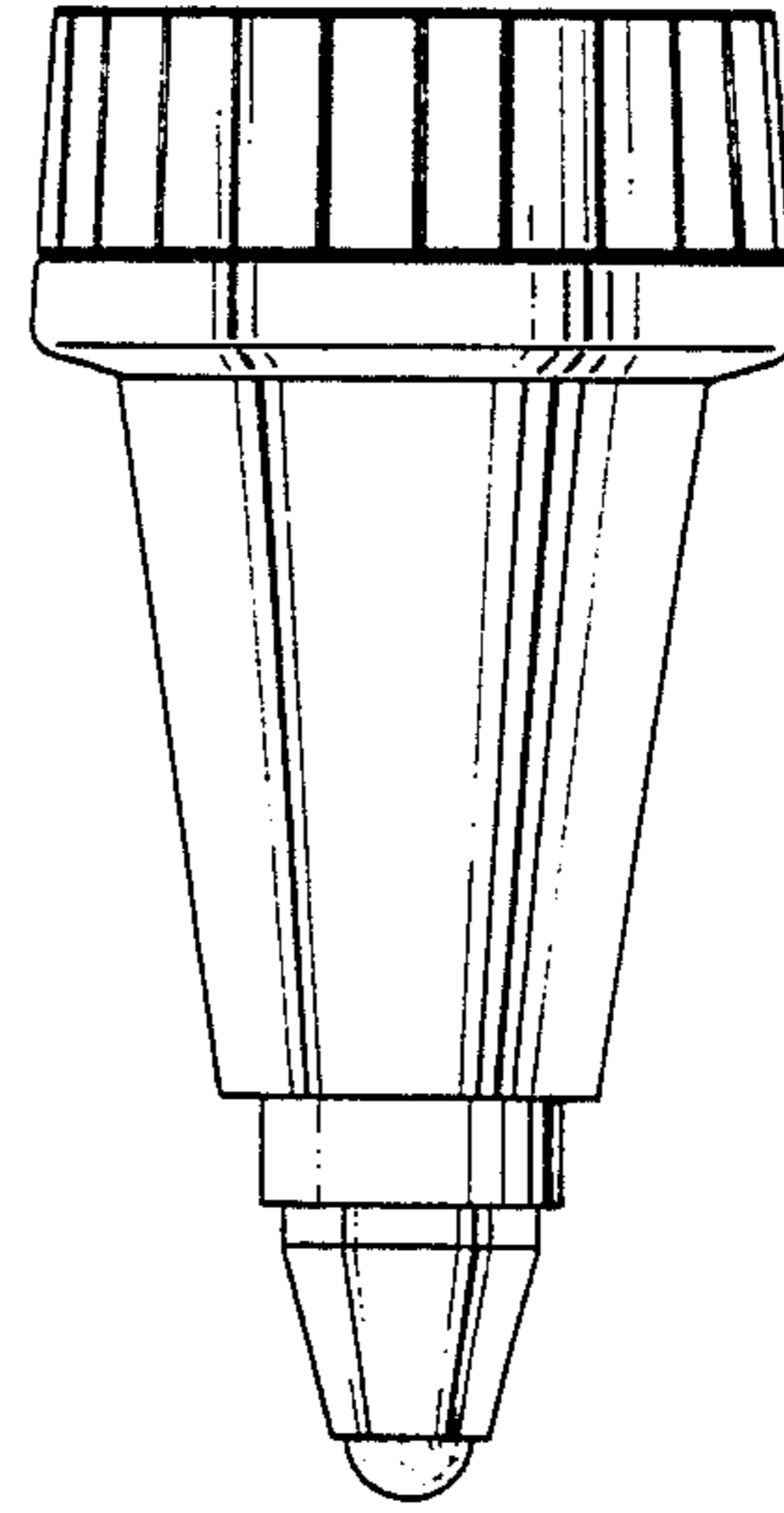


FIG. 3

