

[54] PERSONAL TWO-WAY MESSAGE
TERMINAL OR SIMILAR ARTICLE

[75] Inventor: William J. Scheid, Coral Springs,
Fla.

[73] Assignee: Motorola, Inc., Schaumburg, Ill.

[**] Term: 14 Years

[21] Appl. No: 509,264

[22] Filed: Jun. 29, 1983

[52] U.S. Cl. D14/100; D18/7

[58] Field of Search D14/100, 105, 106, 107,
D14/114, 115, 52, 58, 59, 60, 63, 68, 70, 92;
D18/7; 364/708

[56] References Cited

U.S. PATENT DOCUMENTS

D. 262,623	1/1982	Fujimoto et al.	D14/100
D. 263,207	3/1982	Bickley et al.	D10/80
D. 265,314	7/1982	Kitai	D14/2
D. 278,060	3/1985	Kitai	D14/100
D. 278,341	4/1985	Scheid	D14/100
D. 278,908	5/1985	Scheid et al.	D14/100
4,090,247	5/1978	Martin	D14/100 X

OTHER PUBLICATIONS

"FE News" Feb., 1982 (No. 1, 1982) pp. 1-5 IBM,
Armonk, N.Y.

"The Amazing Pocket Computer in Living Color"
IEEE Spectrum, Sep., 1982, Sharp Electronics Corp.
Paramus, N.J.

"Radio Shack's Astounding PC-2 Is What Every Pro-
fessional Needs!" from IEEE Spectrum, Sep., 1982,
Radio Shack, Ft. Worth, Texas.

"TransTerm 1 from Computerwise"—Aug., 1982,
Computerwise, Inc. Granview, Missouri.

Primary Examiner—Susan J. Lucas

Attorney, Agent, or Firm—Rolland R. Hackbart;

Edward M. Roney; James W. Gillman

[57] CLAIM

The ornamental design for a personal two-way message
terminal or similar article, as shown and described.

DESCRIPTION

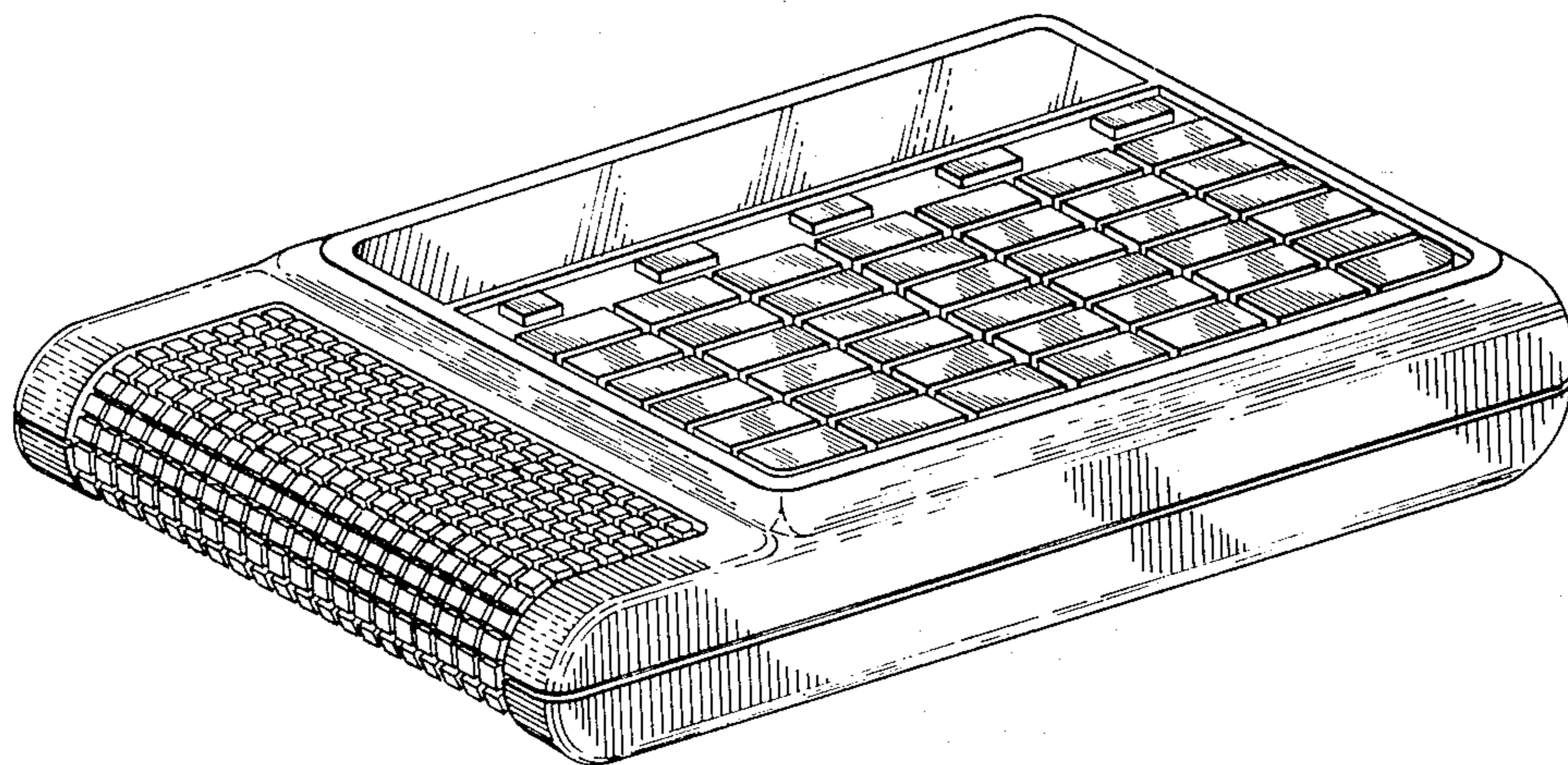
FIG. 1 is a top perspective view of a personal two-way
message terminal or similar article showing my new
design;

FIG. 2 is a side elevational view thereof;

FIG. 3 is a rear elevational view thereof;

FIG. 4 is an inverted rear elevational view thereof; and

FIG. 5 is a top perspective view of a second embodi-
ment of my new design, the sides, rear and bottom
thereof being identical to those of the first embodiment.



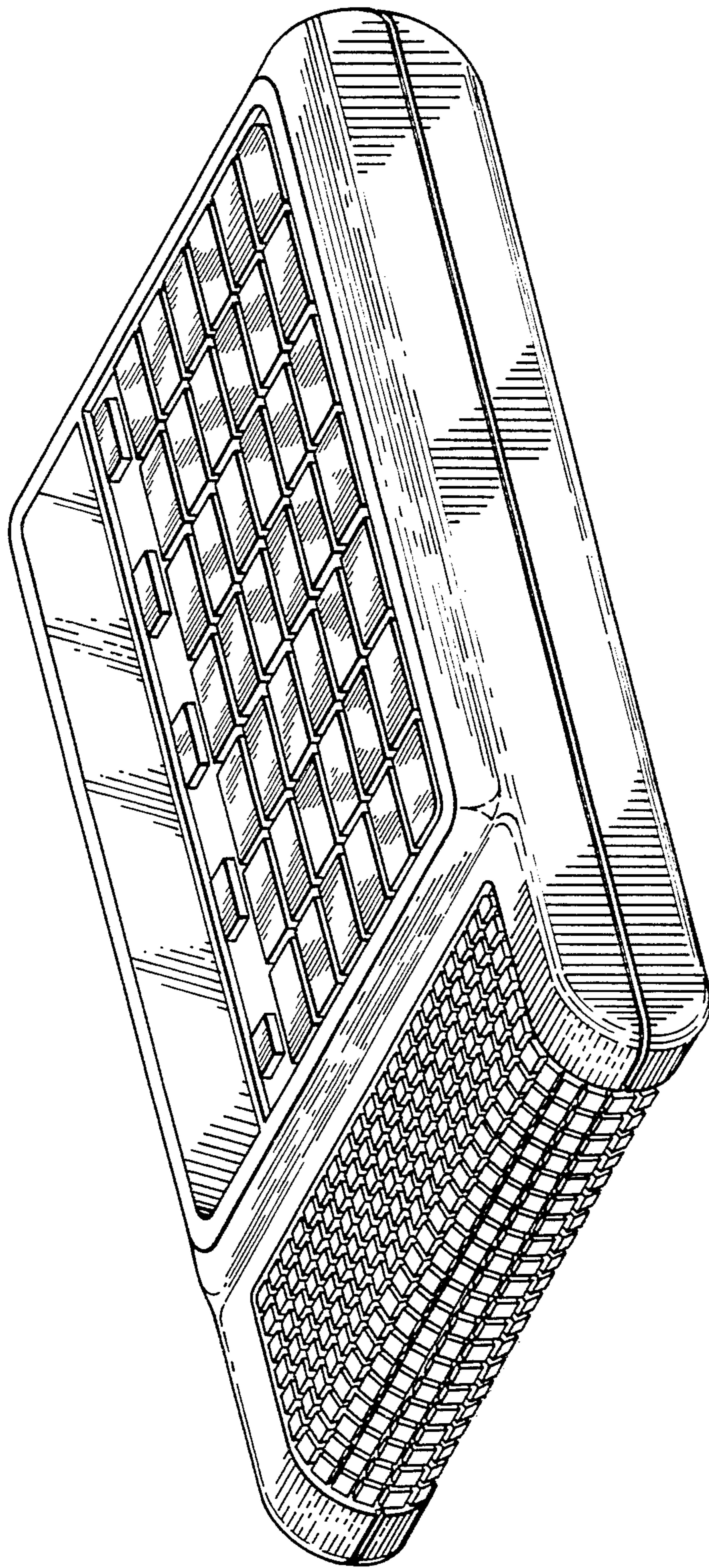


Fig. 1

Fig. 2

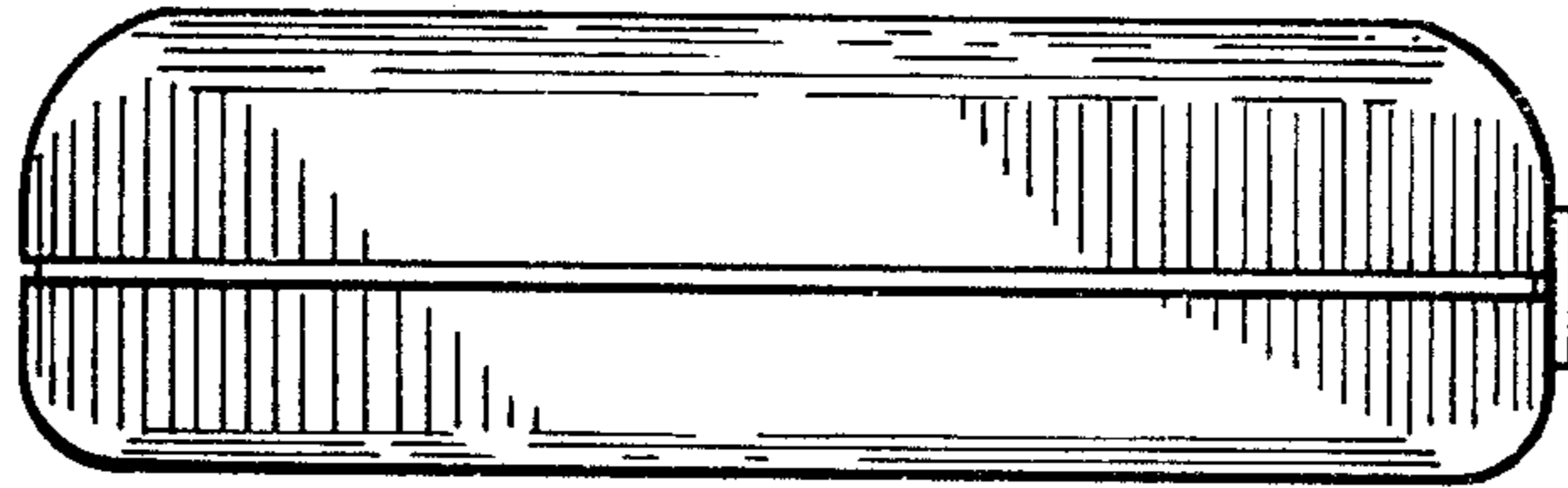


Fig. 3

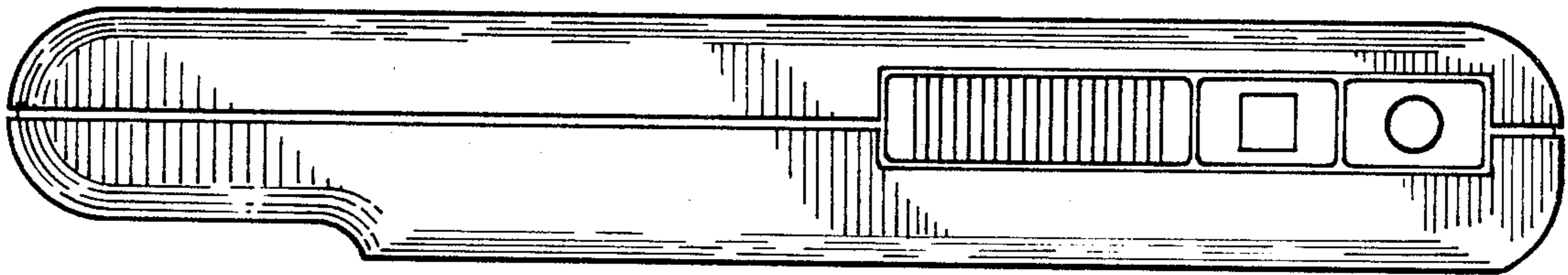
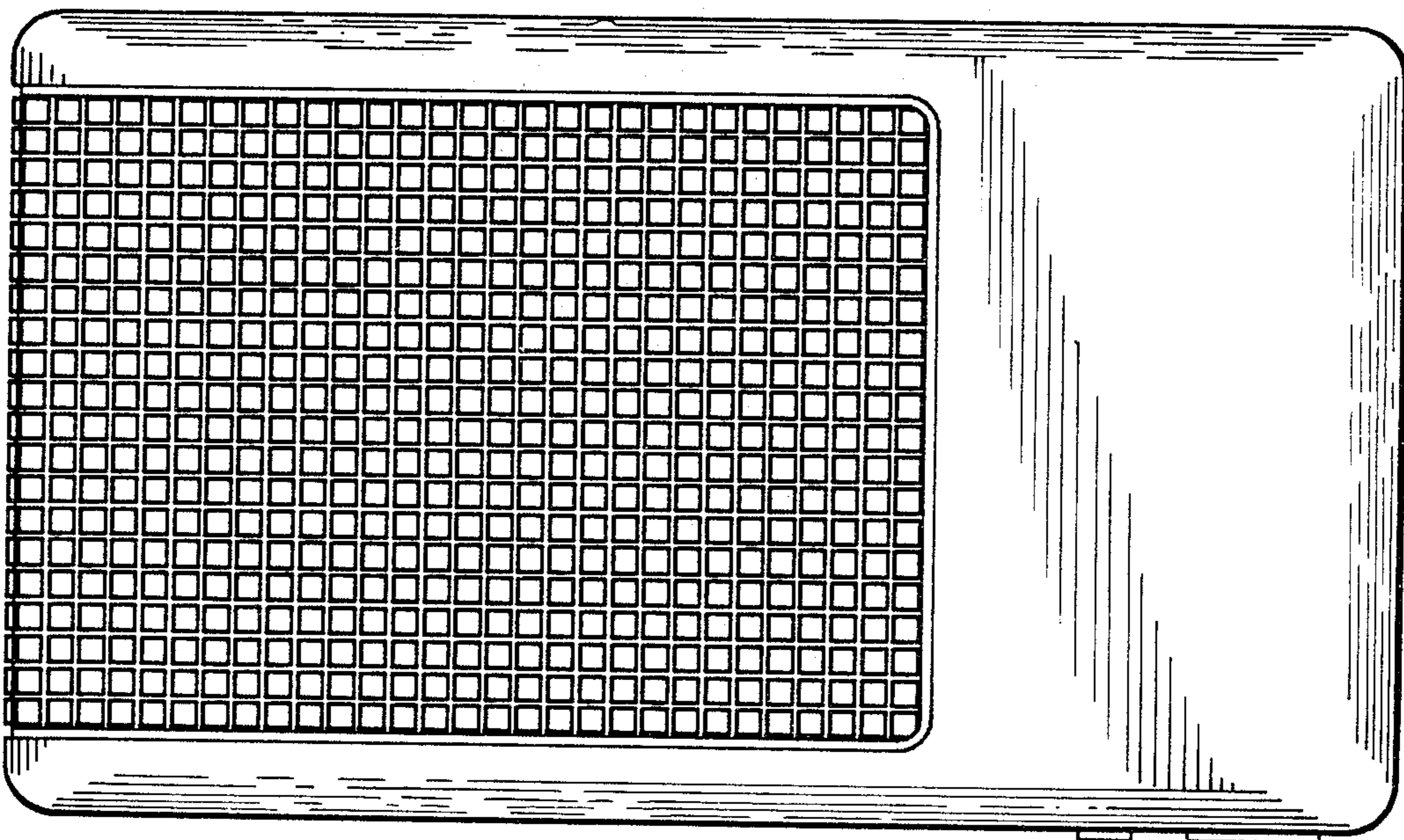


Fig. 4



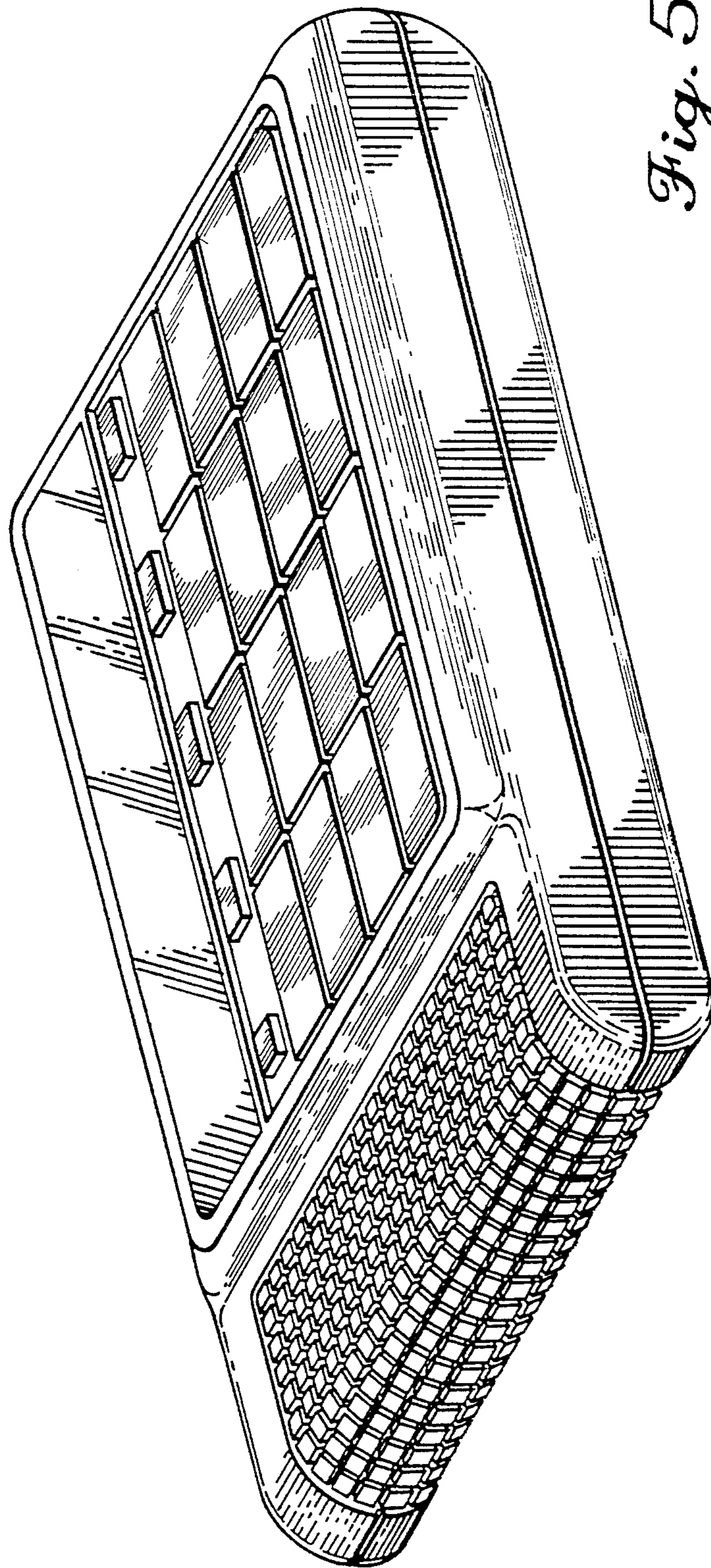


Fig. 5

UNITED STATES PATENT AND TRADEMARK OFFICE
CERTIFICATE OF CORRECTION

PATENT NO. : Des. 282,663
DATED : February 18, 1986
INVENTOR(S) : William J. Scheid

It is certified that error appears in the above-identified patent and that said Letters Patent is hereby corrected as shown below:

Under Description, FIG. 3, please delete "a rear elevational view thereof" and insert --an inverted rear elevational view thereof--.

In FIG. 4, please delete "an inverted rear elevational view thereof" and insert --a bottom plan view thereof--.

Signed and Sealed this
Tenth Day of June 1986

[SEAL]

Attest:

Attesting Officer

DONALD J. QUIGG

Commissioner of Patents and Trademarks