

[54] PORTABLE SCANNING RADIO RECEIVER

[75] Inventor: Kazuyoshi Imazeki, Tokyo, Japan

[73] Assignee: General Research of Electronics, Inc., Tokyo, Japan

[\*\*] Term: 14 Years

[21] Appl. No.: 548,642

[22] Filed: Nov. 4, 1983

[52] U.S. Cl. .... D14/68; D14/70; D14/95

[58] Field of Search ..... D14/68, 70, 95

[56] References Cited

U.S. PATENT DOCUMENTS

- D. 183,677 10/1958 Boldt et al. .... D14/95
- D. 226,093 1/1973 Whiting et al. .... D14/68
- D. 256,239 8/1980 Ota ..... D14/68
- D. 279,001 5/1985 Nagasawa ..... D14/68 X

OTHER PUBLICATIONS

Radio Shack '82 Catalog #341, p. 158, ET-300 (43-265) Handset.

Primary Examiner—Jane E. Corrigan  
Attorney, Agent, or Firm—Trexler, Bushnell & Wolters, Ltd.

[57] CLAIM

The ornamental design for a portable scanning radio receiver, as shown and described.

DESCRIPTION

FIG. 1 is a front, top and left side perspective view of a portable scanning radio receiver showing my new design;

FIG. 2 is a top plan view;

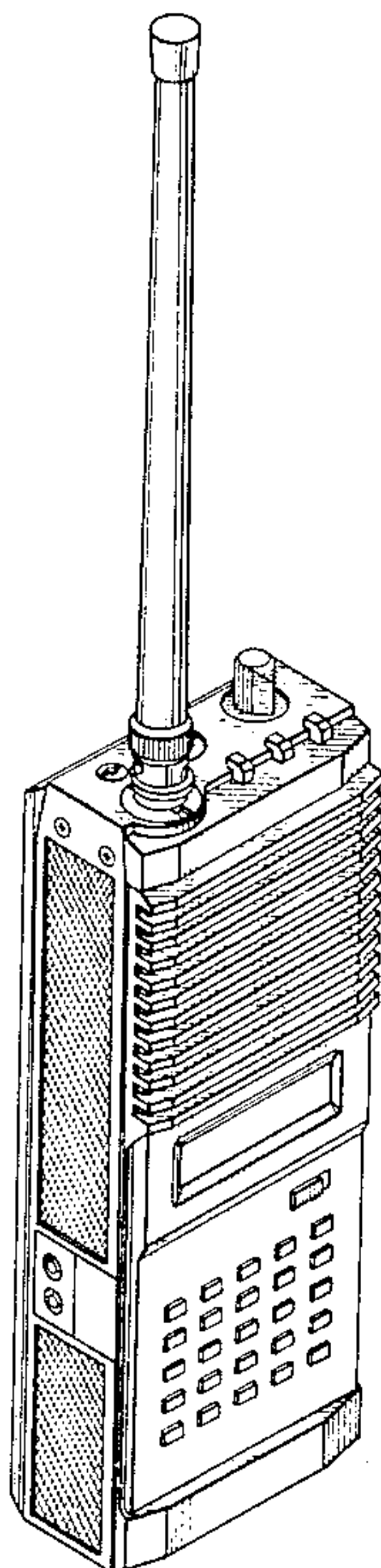
FIG. 3 is a front elevational view;

FIG. 4 is a left side elevational view;

FIG. 5 is a rear elevational view;

FIG. 6 is a right side elevational view; and

FIG. 7 is a bottom plan view.



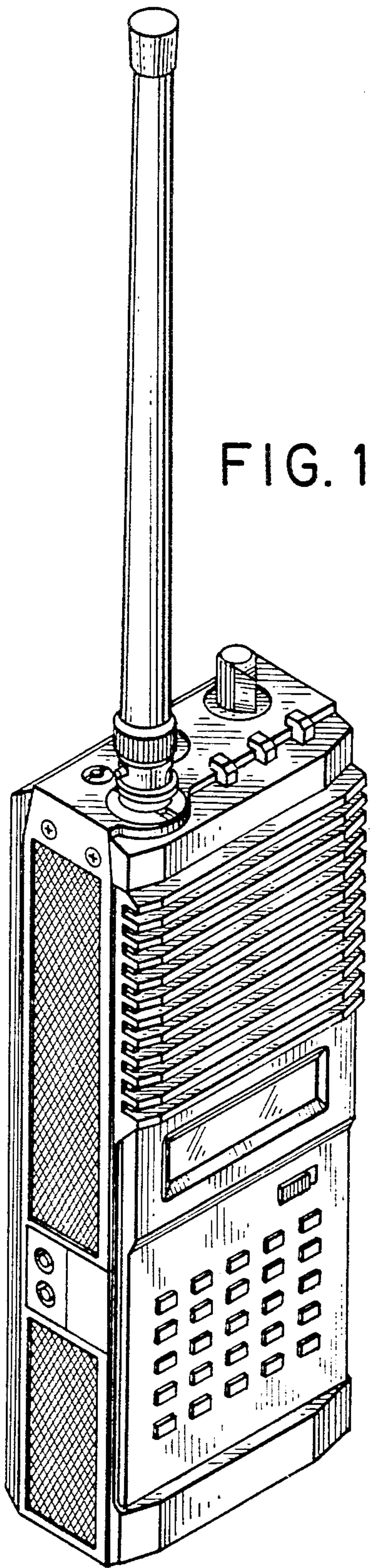


FIG. 1

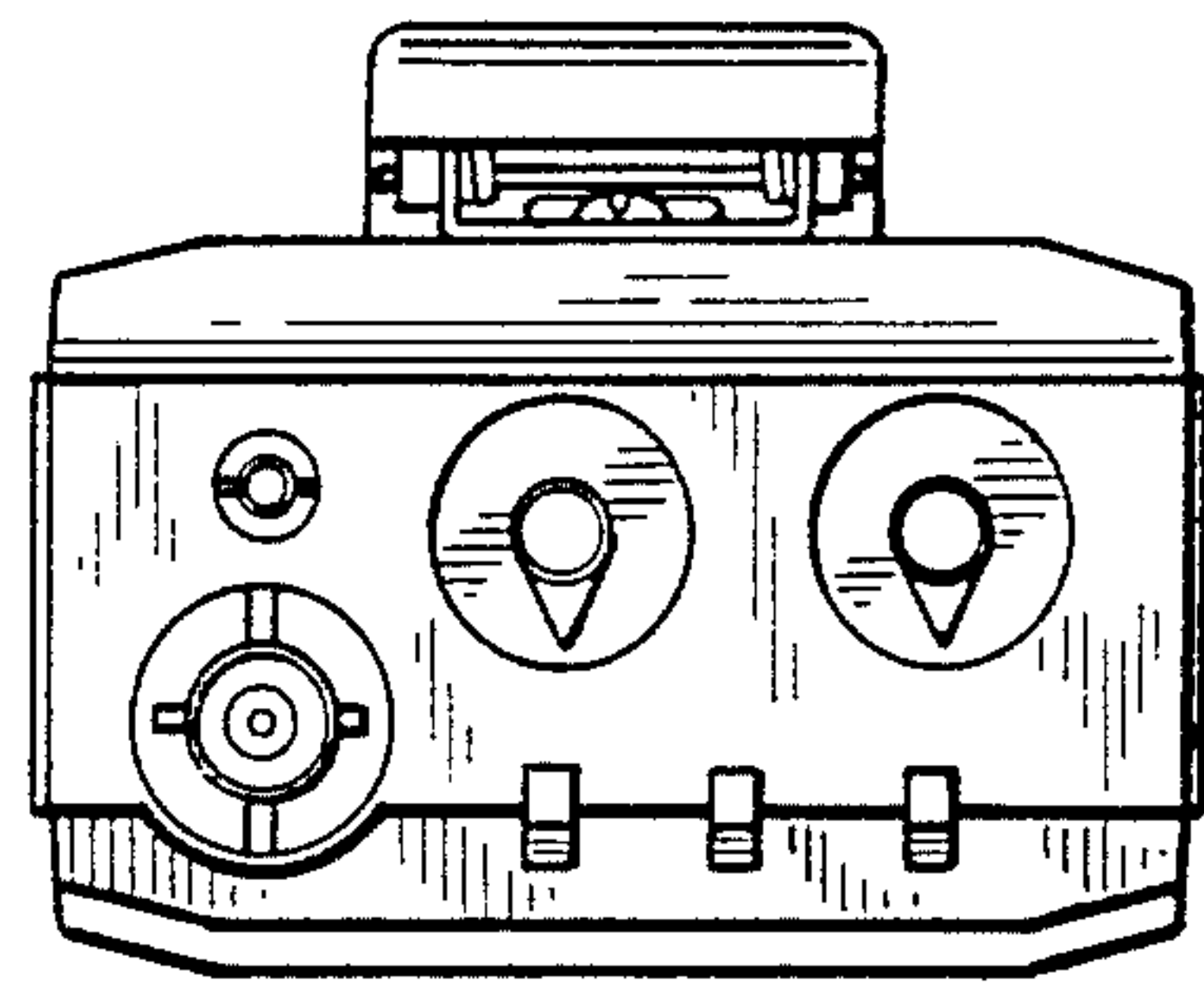


FIG. 2

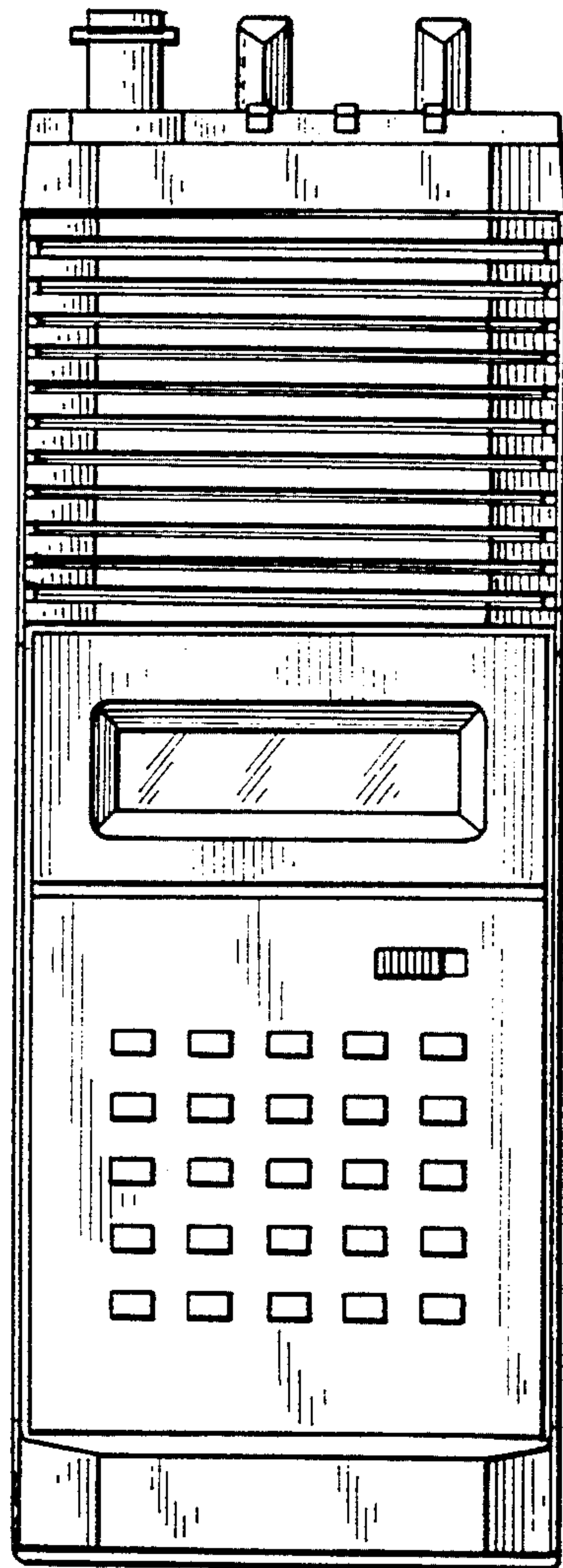


FIG. 3



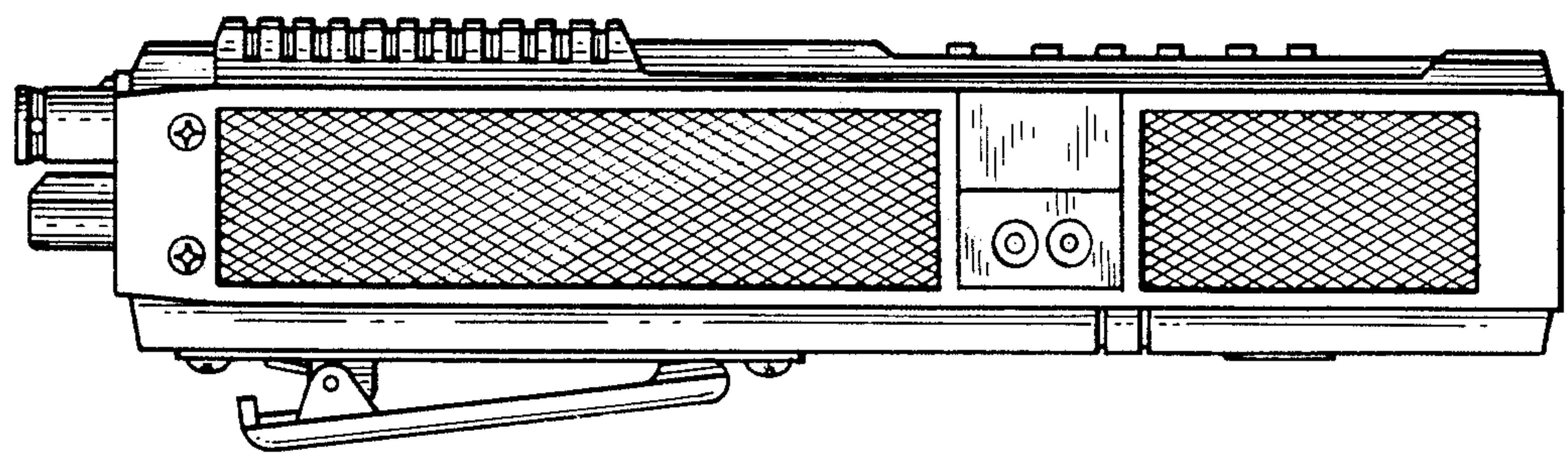


FIG. 4

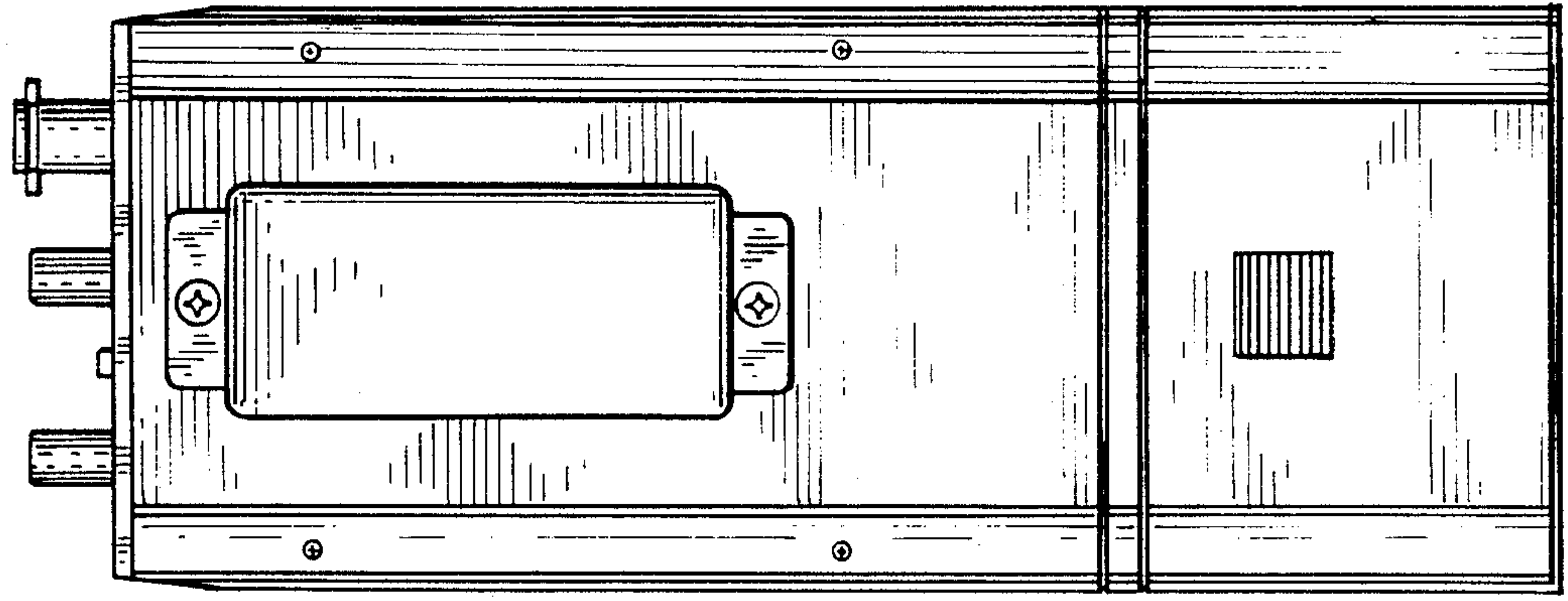


FIG. 5

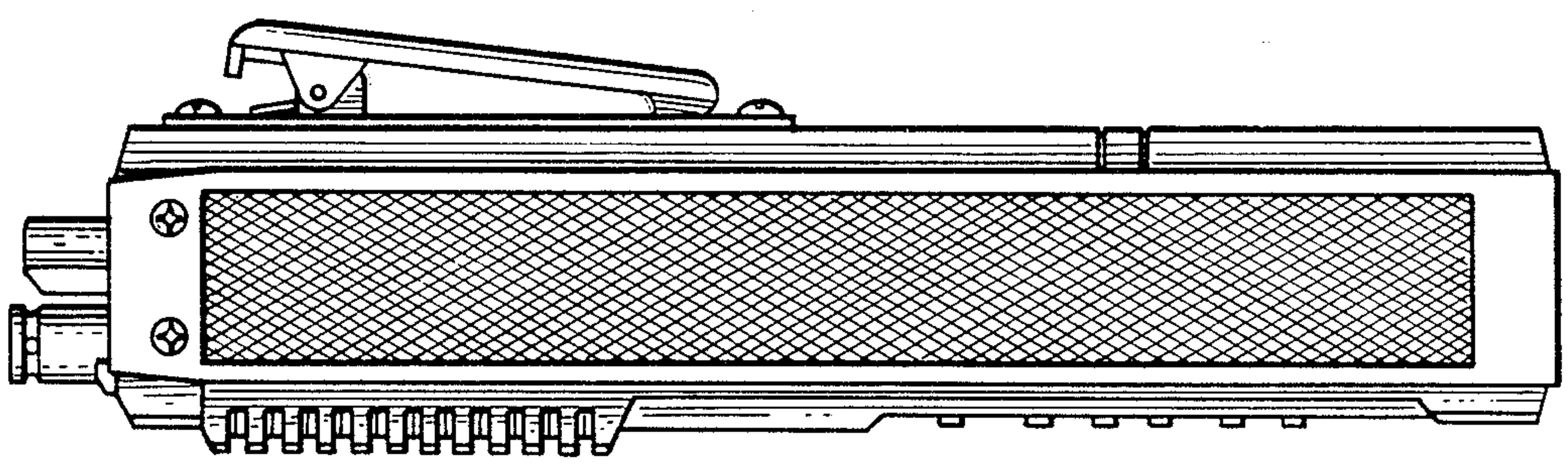


FIG. 6

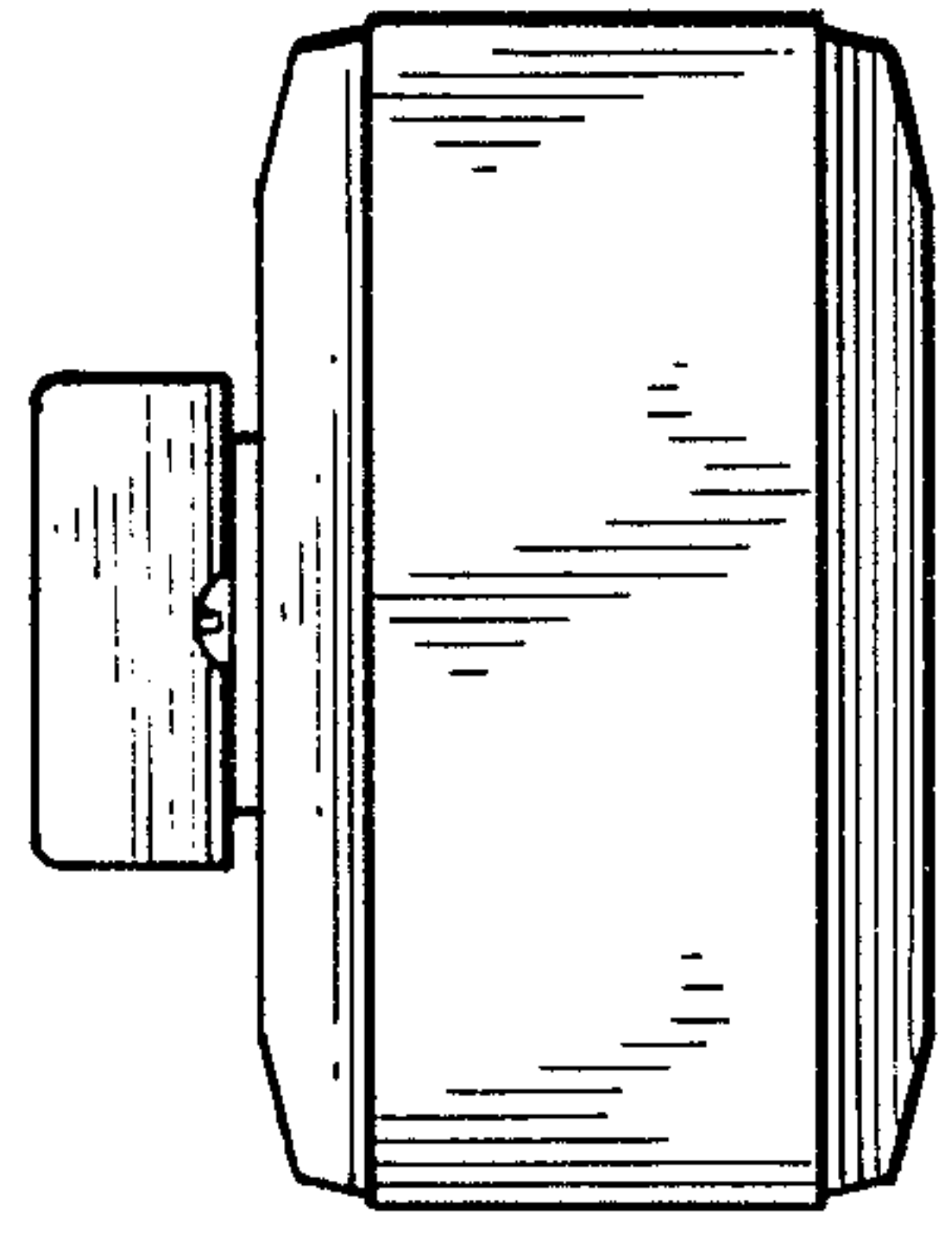


FIG. 7