

[54] **SPEAKER GRILLE**

[76] Inventor: **Barry L. Caren**, P.O. Box 5365,
Carson, Calif. 90749

[**] Term: **14 Years**

[21] Appl. No.: **618,686**

[22] Filed: **Jun. 8, 1984**

[52] U.S. Cl. **D14/39**

[58] Field of Search D14/33, 34, 37, 39

[56] **References Cited**

U.S. PATENT DOCUMENTS

- D. 230,996 3/1974 Sandler .
- D. 232,845 9/1974 Wilkes .
- D. 248,856 8/1978 Saidel .
- D. 250,021 10/1978 Barbera .
- D. 253,109 10/1979 Kashidaira .
- D. 256,002 7/1980 Price .
- D. 261,137 10/1981 De Lillo D14/33
- D. 264,208 5/1982 Matsubara .
- D. 268,756 4/1983 Yamagata D14/33 X
- D. 276,044 10/1984 Kawachi .

- 3,931,867 1/1976 Janszen D14/33
- 4,013,846 3/1977 Krawczak 181/150 X
- 4,277,653 7/1981 Pawelzick .

FOREIGN PATENT DOCUMENTS

- 24461 3/1981 European Pat. Off. 181/150

OTHER PUBLICATIONS

Best 1982/1983 Catalog, p. 366, Items #11, Grille.

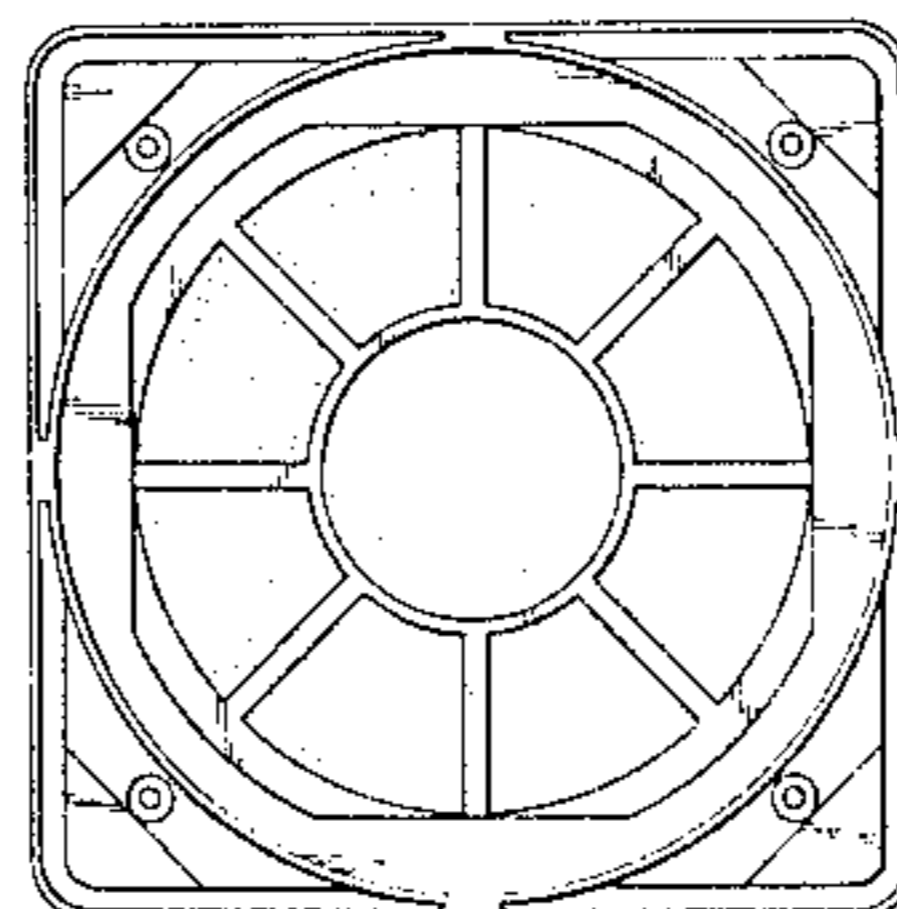
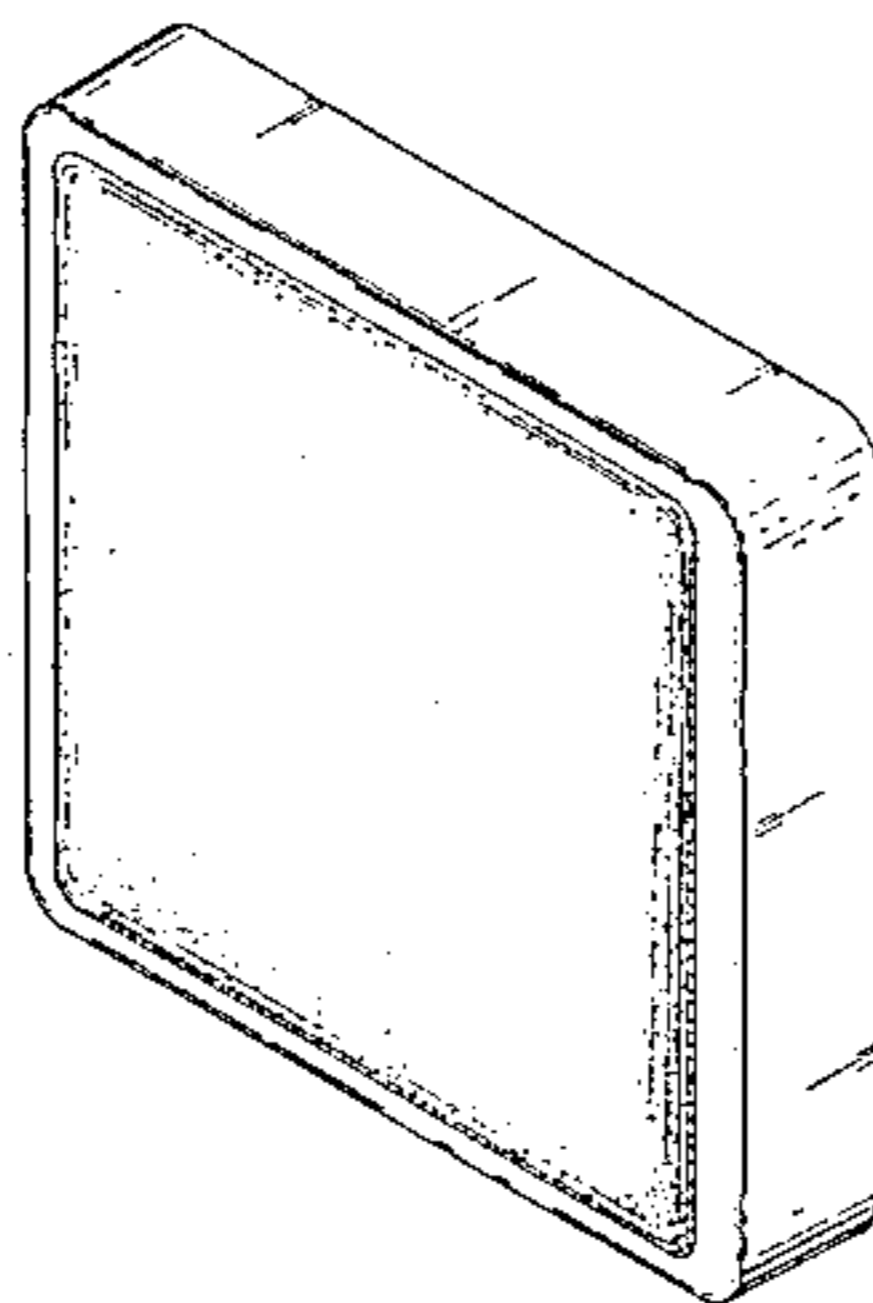
Primary Examiner—Jane E. Corrigan
Attorney, Agent, or Firm—Pretty, Schroeder,
Brueggemann & Clark

[57] **CLAIM**

The ornamental design for a speaker grille, substantially as shown and described.

DESCRIPTION

FIG. 1 is a front elevational view of a speaker grille showing my new design;
FIG. 2 is a top plan view;
FIG. 3 is a rear elevational view; and
FIG. 4 is a front, top right side perspective view.



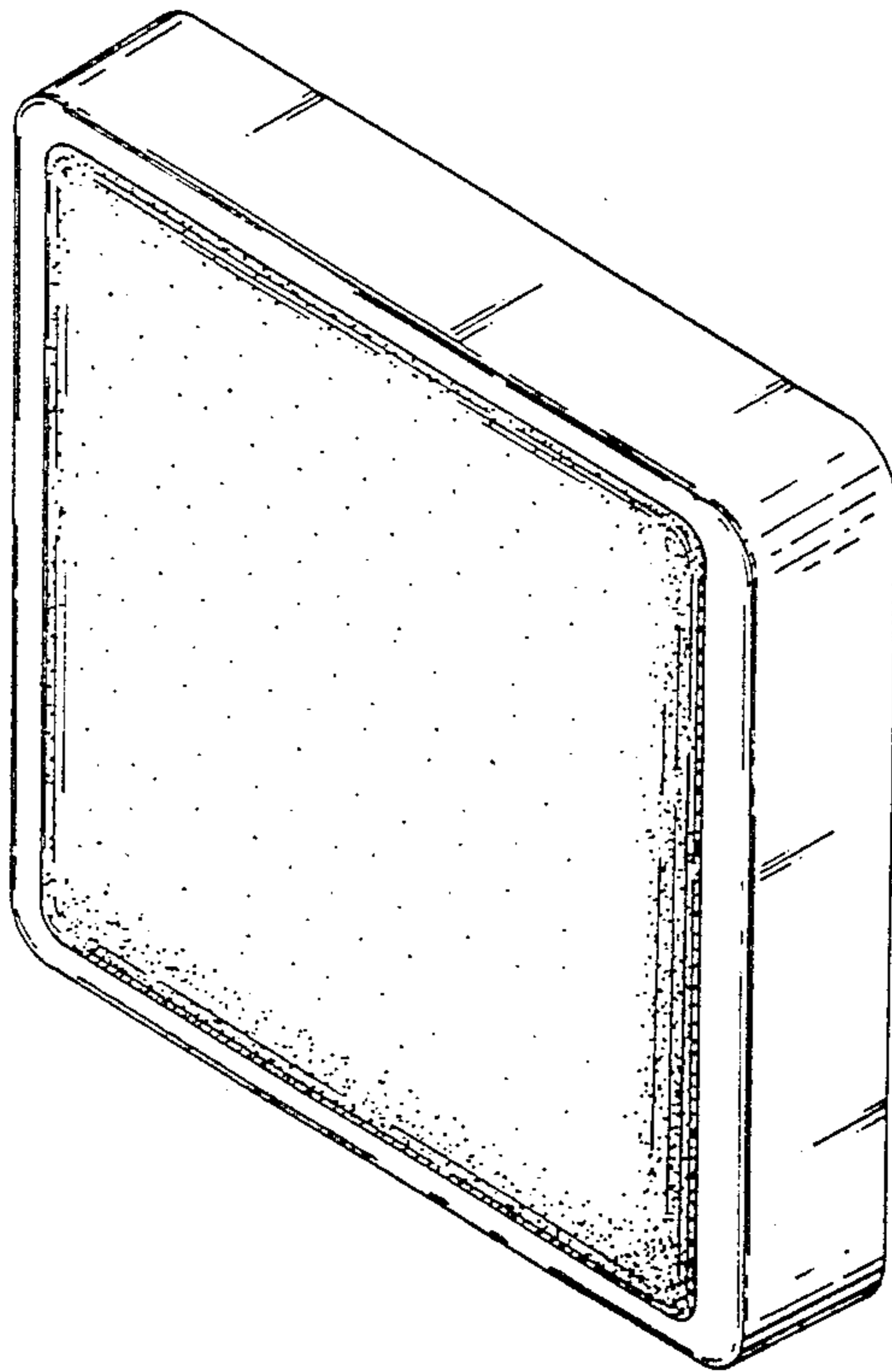


FIG. 4.



FIG. 2.

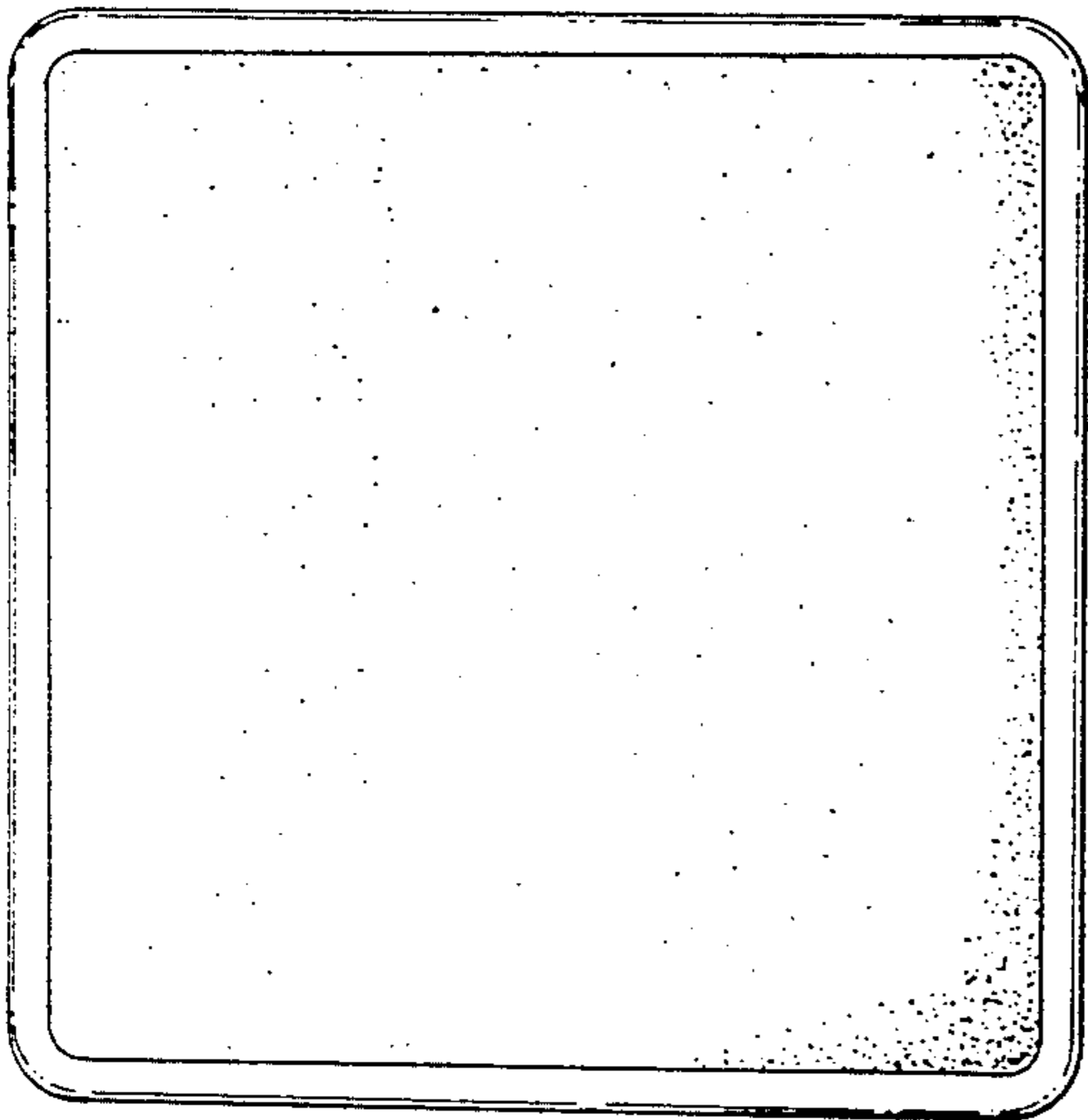


FIG. 1.

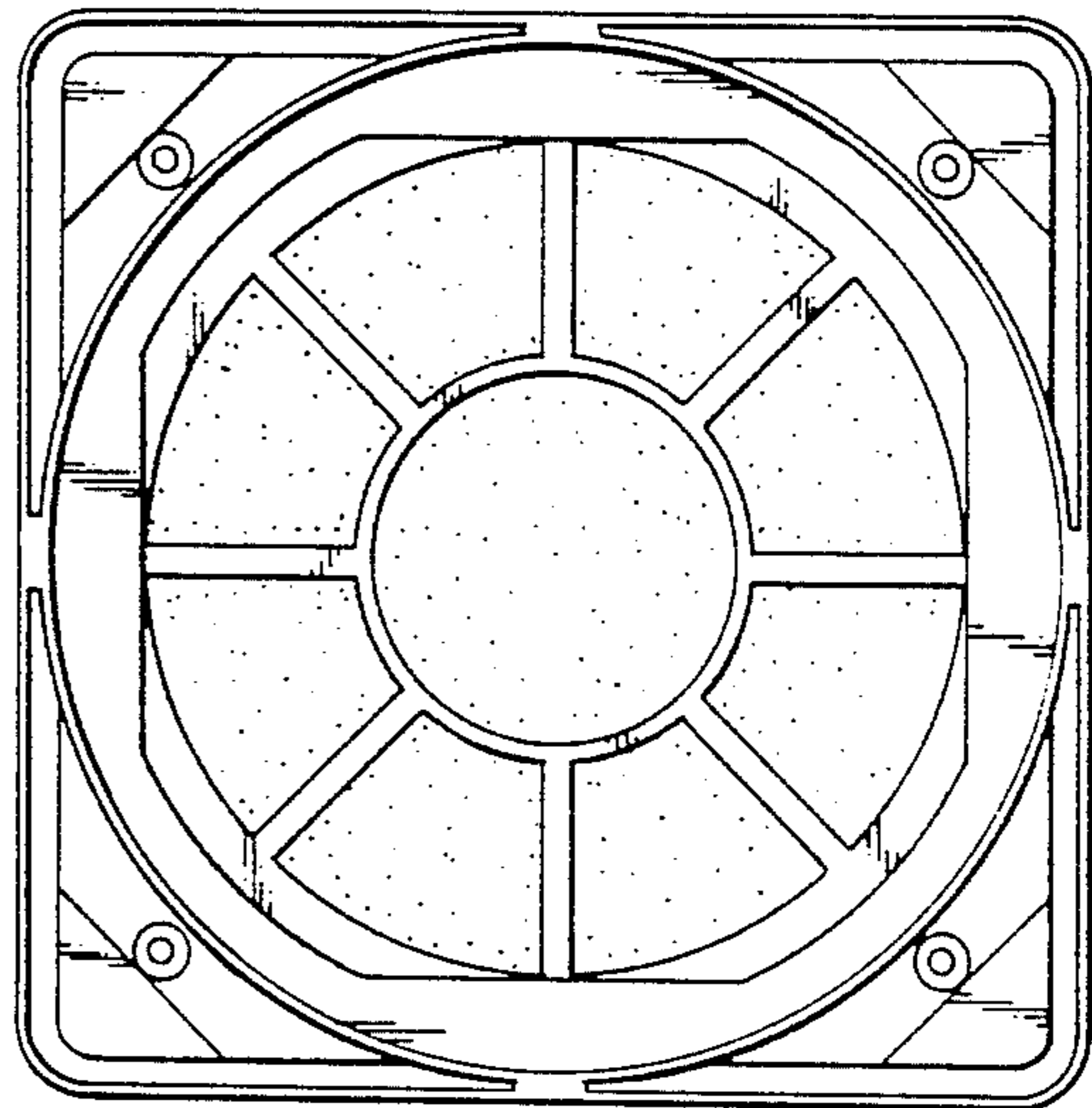


FIG. 3.